

DESCRIPTION

- Metal construction with Chrome plated finish
- Shower arm has 1/2" IPS male threads
- Diverter spout with 1/2" CC slip-fit design
- Vandal resistant lever handle, shower head, and shower arm flange
- Easy cleaning rubber nozzles
- Red and blue durable plastic temperature indicators

OPERATION

- Temperature valve has ADA compliant lever style handle
- Temperature handle operates counterclockwise through a 270° arc with off at 6 o'clock, and the maximum hot at the 9 o'clock position
- Adjustable temperature limit stop
- Pressure balancing mechanism maintains selected discharge temperature to ± 2°

FLOW

- **T9389** (2.5 gpm/9.5 L/min) maximum at 80 psi - Chrome finish
- **T9389EP15** (1.5 gpm/5.7 L/min) maximum at 80 psi - Chrome finish **WaterSense® certified**

CARTRIDGE

- Pair with a brass Posi-Temp® rough-in valve:
- 8370HD*: 1/2" CC connection without integral stops
- 8371HD*: 1/2" CC connection with integral stops
- 8372HD*: 1/2" IPS connection with integral stops
- 8373HD*: 1/2" PEX connection with integral stops
- 8374HD*: 1/2" CPVC connection with integral stops
- 8375HD*: 1/2" UPONOR connection with integral stops
- * Includes the 1222HD Brass Posi-Temp® Cartridge
- Nonmetallic/nonferrous and stainless steel materials
- Accommodates back to back installations

STANDARDS

- Third party certified to: WaterSense® (only applies to 1.5 gpm), ASME A112.18.1/CSA B125.1 and all applicable requirements referenced therein
- ADA for lever handles

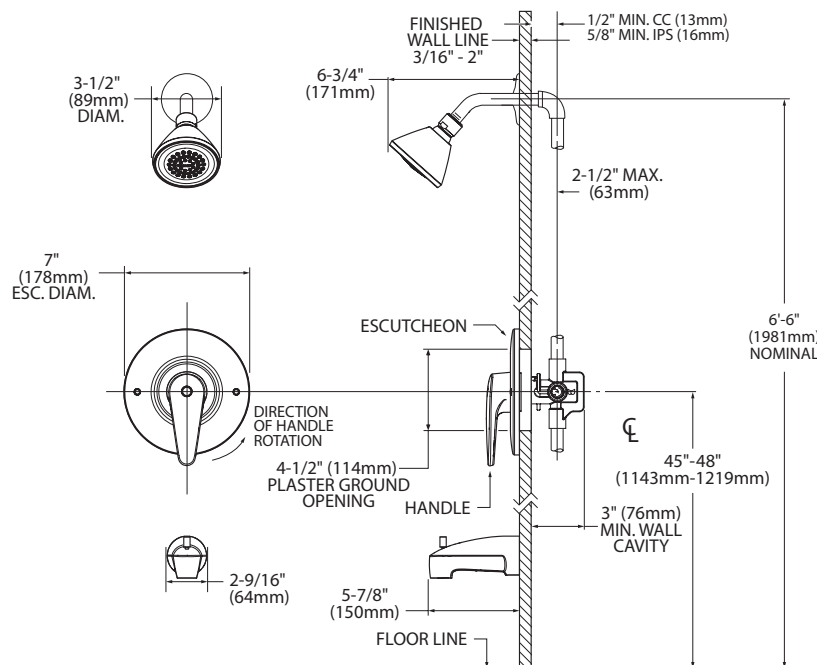
WARRANTY

- Warranted for 5 years against material or manufacturing defects



M•Dura™ Commercial Single-Handle Posi-Temp® Pressure Balancing Tub/Shower Trim Only

Models: T9389 series



CRITICAL DIMENSIONS

(DO NOT SCALE)