

## FAUCET DESCRIPTION

- Chrome or Classic Brushed Nickel (CBN) finish plated metal construction
- Supplied with vandal resistant screws

## OPERATION

- Lever style handle with temperature indicators on the escutcheon
- Handle operates counterclockwise through a 270° arc with off at 6 o'clock, and maximum hot at the 9 o'clock position. Shut off in clockwise direction
- Adjustable temperature limit stop to restrict the handle travel in the HOT direction
- Pressure balancing mechanism maintains selected discharge temperature to  $\pm 2^\circ$

## CARTRIDGE

- Pair with a brass Posi-Temp rough-in valve:
- 8370HD\*: 1/2" CC connection without integral stops
- 8371HD\*: 1/2" CC connection with integral stops
- 8372HD\*: 1/2" IPS connection with integral stops
- 8373HD\*: 1/2" PEX connection with integral stops
- 8374HD\*: 1/2" CPVC connection with integral stops
- 8375HD\*: 1/2" UPONOR connection with integral stops
- \*Includes the 1222HD Brass Posi-Temp Cartridge
- Nonmetallic/nonferrous and stainless steel materials
- Accommodates back to back installations

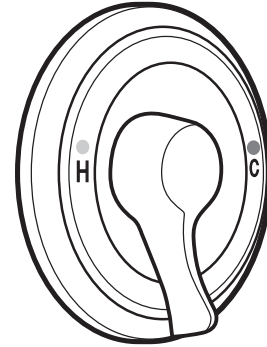
## STANDARDS

- Third party certified to: ASME A112.18.1/CSA B-125.1 and all applicable requirements referenced therein including NSF61/9

- ADA  for lever handle

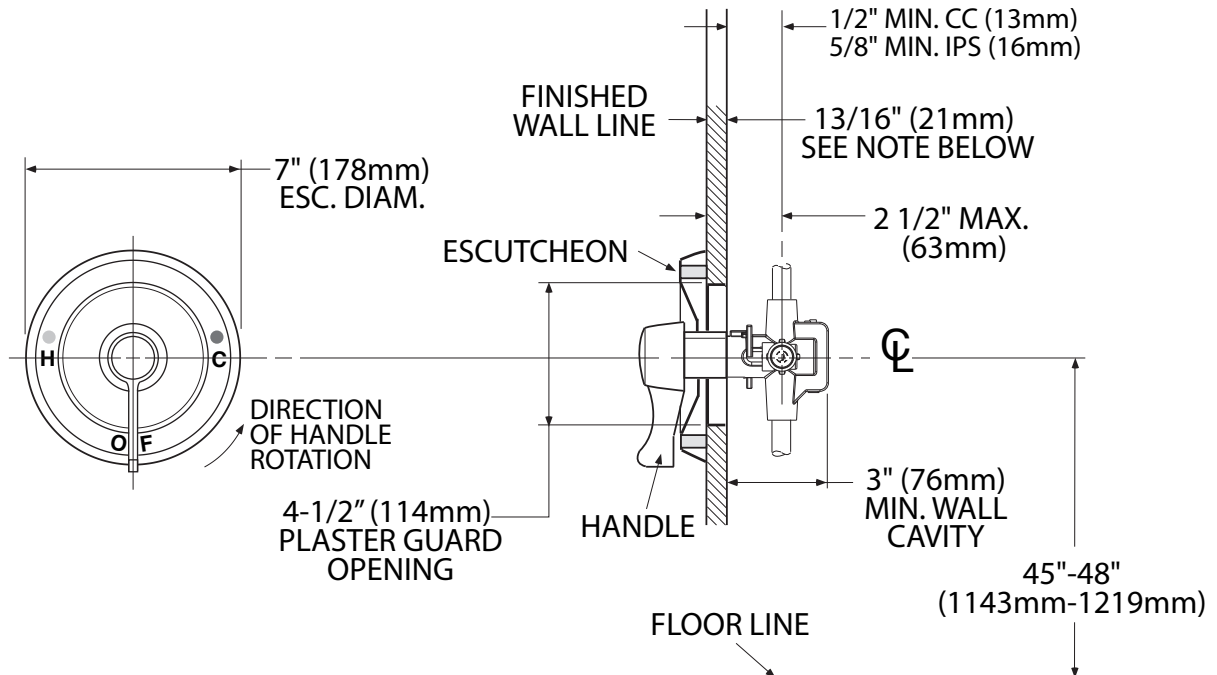
## WARRANTY

- Warranted for 5 years against material or manufacturing defects



## Single-Handle Posi-Temp® Pressure Balancing Valve Trim Only

Model: T8370  
T8370CBN



## CRITICAL DIMENSIONS

(DO NOT SCALE)