

DESCRIPTION

- Acrylic knob style handle
- The escutcheon is of metal construction with a chrome plated or LifeShine® polished brass or glacier finish

OPERATION

- Handle operates counterclockwise through a 270° arc with off at 6 o'clock and maximum hot at the 9 o'clock position. Shut off in clockwise direction
- Adjustable temperature limit stop to control maximum hot water temperature
- Pressure balancing mechanism maintains selected discharge temperature to $\pm 2^\circ$

CARTRIDGE

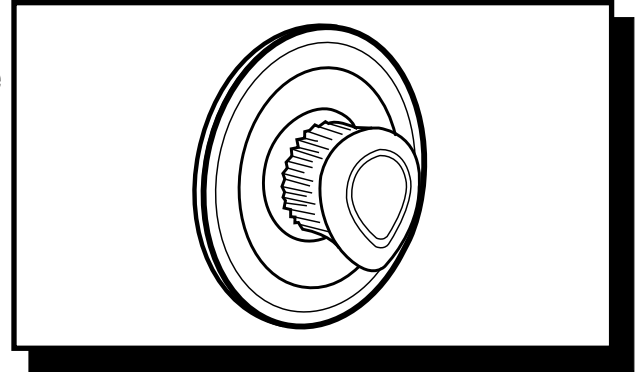
- 1222 cartridge design
- Accommodates back to back installations
- Nonmetallic/nonferrous and stainless steel material

STANDARDS

- Designed and manufactured to comply with the requirements of: CSA B-125 and ASME A112.18.1M and all requirements referenced therein

WARRANTY

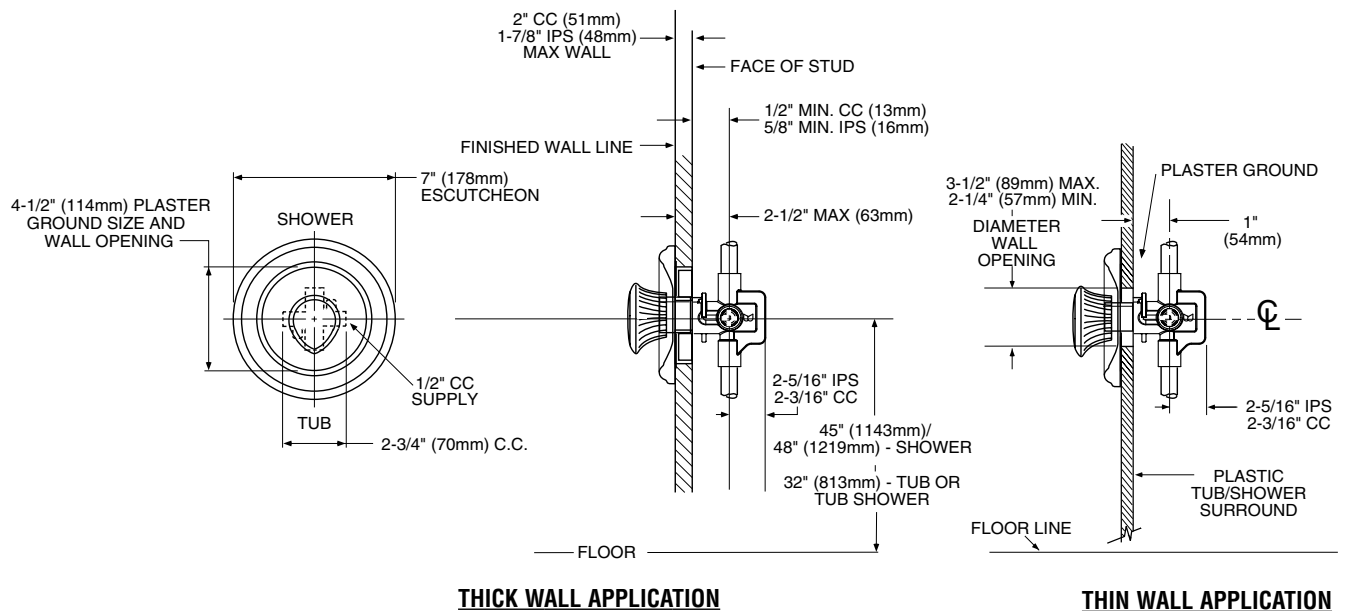
- Lifetime limited warranty against leaks, drips and finish defects to the original consumer purchaser
- 5 year warranty if used in commercial installations



CHATEAU® POSI-TEMP® Single-Handle Tub/Shower Trim Kit

**Models: T181, T181P
and T181W
(Bulk Packed 12 per carton)**

**NOTE: See reverse side for
illustrated parts**



CRITICAL DIMENSIONS

(DO NOT SCALE)