

DESCRIPTION

- Metal construction with various finishes identified by suffix
- 1/2" IPS connection

OPERATION

- Flow levers operate counterclockwise through 180 degree arc with off at 6 o'clock and maximum flow at the 12 o'clock position. Shut off in clockwise direction


FLOW

- 5.5 gpm @ 60 psi

CARTRIDGE

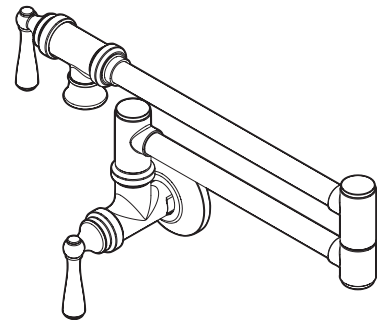
- 1224 cartridge design
- Nonmetallic and stainless steel materials

STANDARDS

- Third party certified to ASME A112.18.1/CSA B125.1 and all applicable requirements therein including NSF 61/9 &372
- Complies with California Proposition 65 and with the Federal Safe Drinking Water Act
- **ADA**  for lever handle

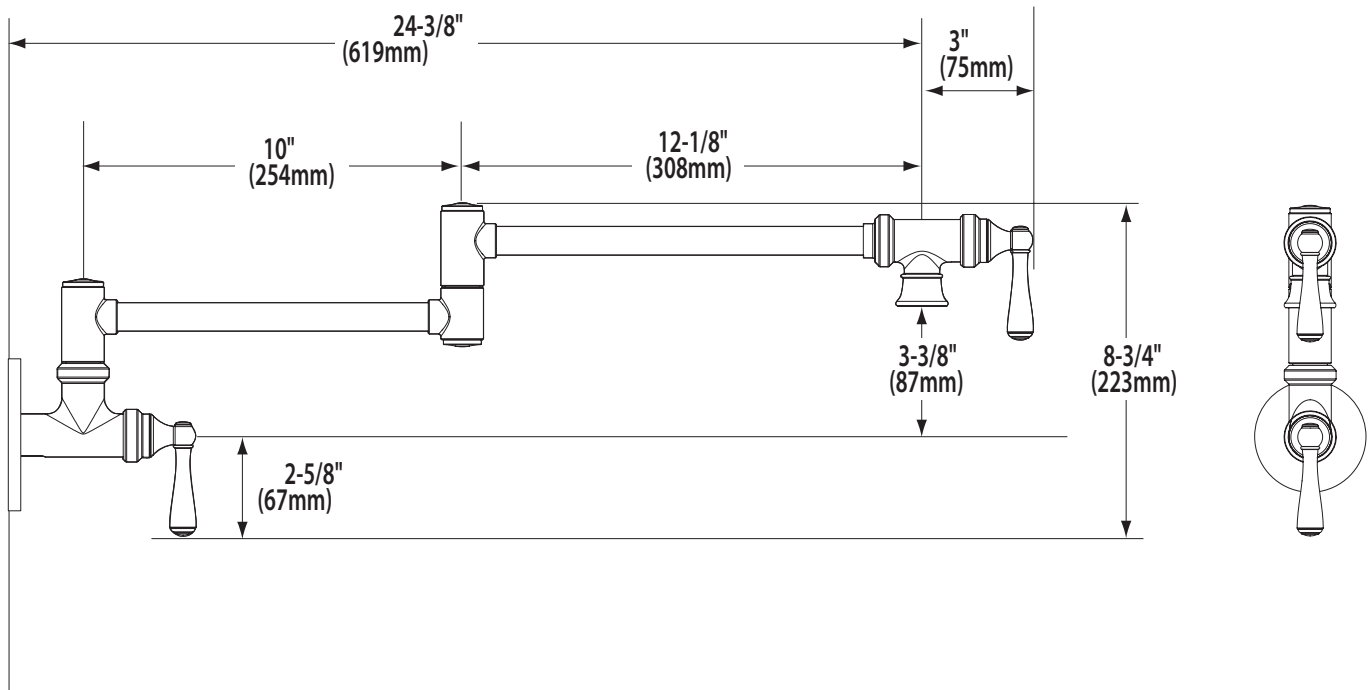
WARRANTY

- Lifetime limited warranty against leaks, drips and finish defects to the original homeowner
 - 10 year limited warranty when used in a multifamily installation
 - 5 year limited warranty when used in a commercial installation
- Visit www.moen.com/support for complete details and limitations



Pot-Filler Faucet

Models: S664 series



CRITICAL DIMENSIONS

(DO NOT SCALE)

FOR MORE INFORMATION CALL: 1-800-BUY-MOEN

www.moen.com