



Buy it for looks. Buy it for life.®

Specifications

DESCRIPTION

- Chrome plated metal construction with polished brass, platinum, antique bronze, bronze, oil rubbed bronze, nickel, antique nickel, stainless, satine, pewter, wrought iron and glacier finish

STANDARDS

- Designed and manufactured to comply with the requirements of: ASSE 1014

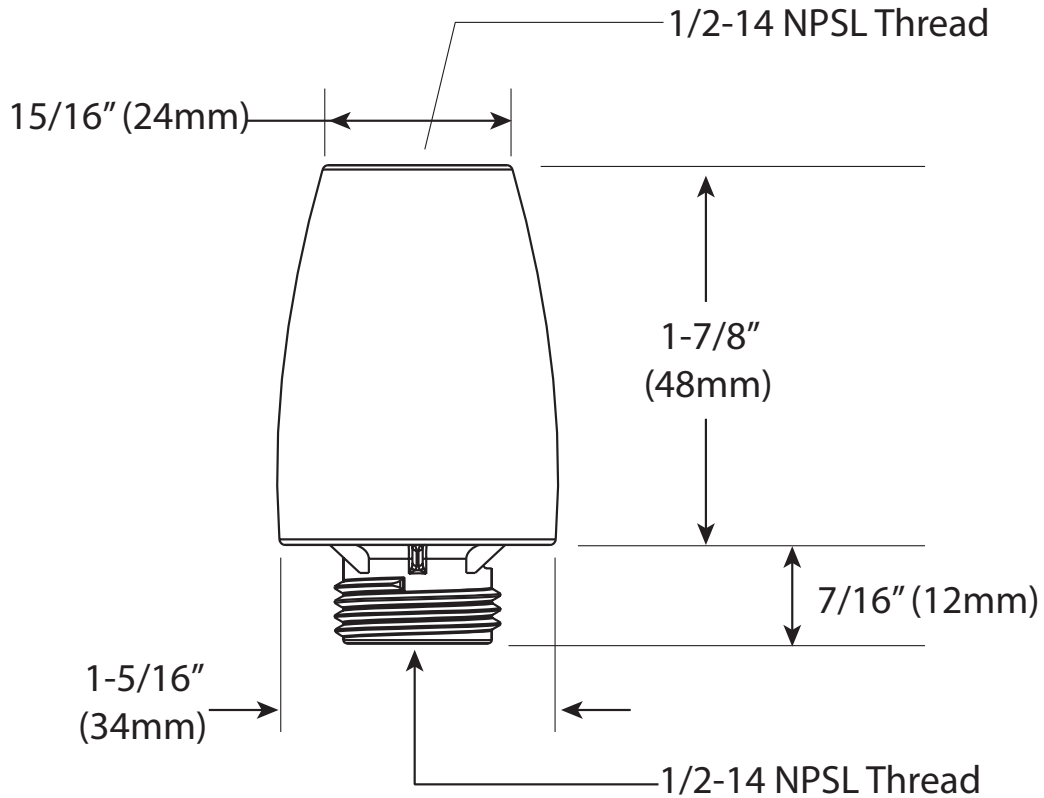
WARRANTY

- Warranted for 5 years against material or manufacturing defects



Vacuum Breaker With Gasket

Models: A714, A714P, A714PM, A714AZ, A714NL, A714ST, A714WR, A714BZ, A714PW, A714ORB, A714SL, A714AN, A714W



CRITICAL DIMENSIONS

(DO NOT SCALE)

FOR MORE INFORMATION CALL: 1-800-BUY-MOEN

www.moen.com