



Buy it for looks. Buy it for life.®

# Specifications

## DESCRIPTION

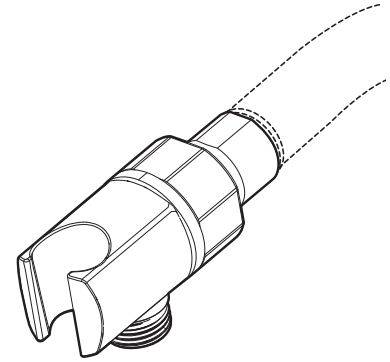
- Metal construction with various finishes identified by suffix
- Integrated holder for handshower
- Attaches to 1/2" IPS shower arm

## STANDARDS

- Third party certified to ASME A112.18.1/CSA B125.1 and all applicable requirements referenced therein

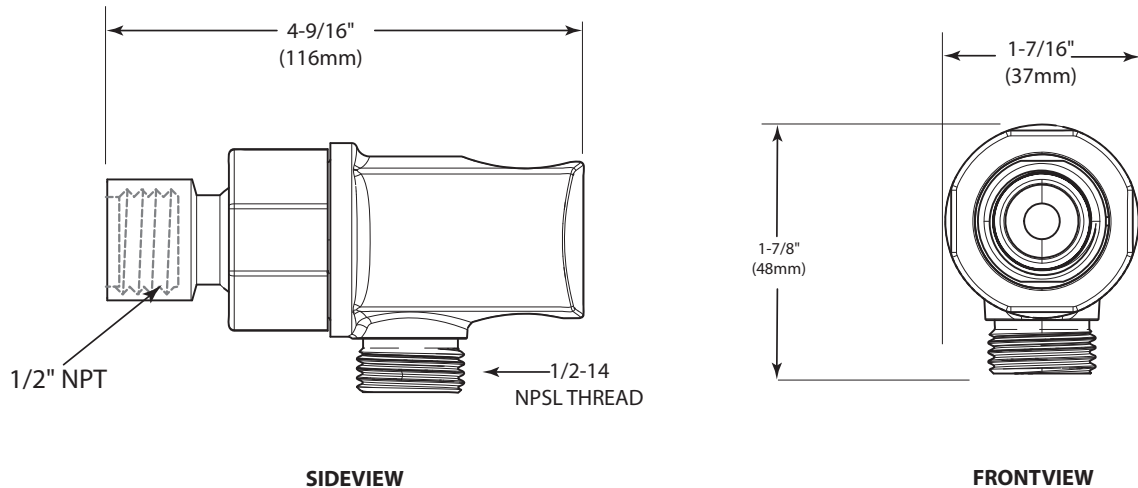
## WARRANTY

- Lifetime limited warranty against leaks, drips and finish defects to the original consumer purchaser
- 5 year warranty if used in commercial installations



**Shower Arm Cradle for Handshower**

**Models:** A701 series



## CRITICAL DIMENSIONS

(DO NOT SCALE)