

## DESCRIPTION

- Solid brass construction
- Chrome finish
- 3/8" compression x 22" supply lines
- Optional deck plate
- Includes side spray with Hydrolock® quick connect system

## OPERATION

- Lever style handle
- Pull-on/Push-off
- Temperature controlled by 110° arc of handle travel

## FLOW

- Aerator is limited to 2.2 gpm max (8.3 L/min)

## CARTRIDGE

- Ceramic disc cartridge design with an adjustable temperature limit stop
- Nonmetallic/nonferrous and ceramic material

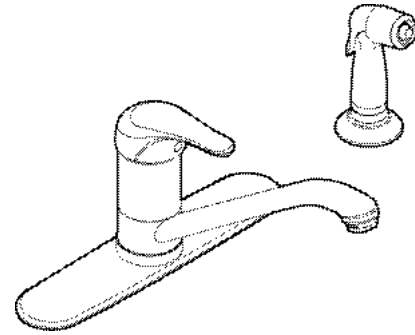
## STANDARDS

- Third party certified to CSA B-125.1, ASME A112.18.1, and all applicable requirements referenced therein including NSF 61/9
- Contains no more than 0.25% weighted average lead content
- Complies with California Proposition 65 and with the Federal Safe Water Drinking Act

- **ADA**  for lever handles

## WARRANTY

- Warranted for 5 years against material or manufacturing defects

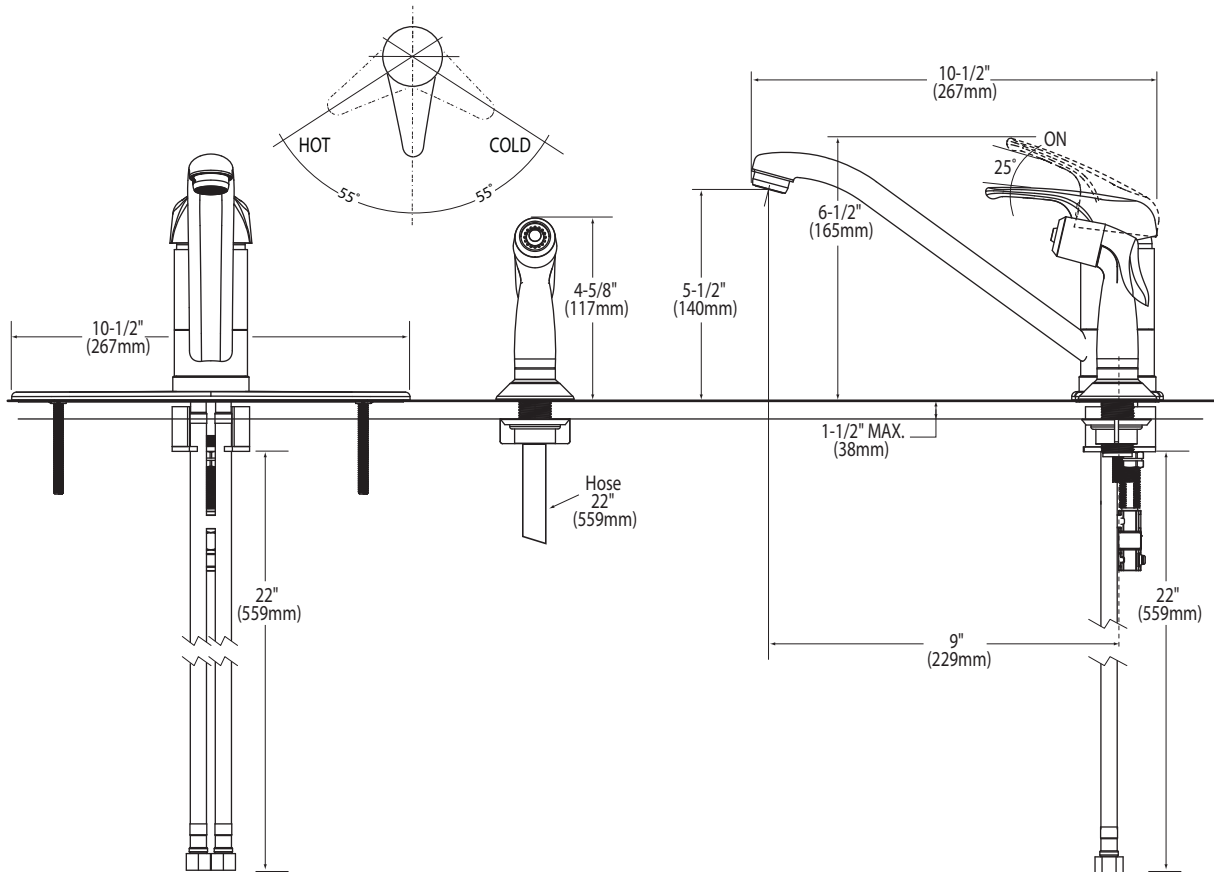


**Single-Handle Kitchen Faucet**

**Model: 8707**



**NOTE:** THIS FAUCET IS DESIGNED TO BE INSTALLED THROUGH 1 HOLE - 1-3/8" MIN. DIA.



## CRITICAL DIMENSIONS

(DO NOT SCALE)