



**M-POWER™**  
**3/4" Battery Powered Sensor**  
**Exposed Style Urinal Flush Valve**

**Models: 8314**



**PRODUCT DESCRIPTION**

- Battery powered, sensor activated, exposed water urinal flushometer with brass angle stop valve
- Brass construction with chrome plated finish
- Chloramine resistant seals
- 3/4" IPS inlet supply
- 1-1/4" top spud
- High back pressure vacuum breaker
- Intended for use with top spud urinals with matching flow rates as specified by the fixture manufacturer

**OPERATION**

- Self-cleaning Accuset™ piston flush technology
- Mechanical override
- Adjustable infrared sensor range up to 15"
- Four (4) Alkaline AA batteries included
- Battery life: Up to 8 years\*
- Low battery indicator light
- Optional 24 hour Sentinel Flush (factory setting is off)
- Operating Pressure Range: 20-125psi


**FLOW RATE**

- Limited to 1.0gpf (3.8Lpf) max.

**STOP VALVE**

- All metal 3/4" IPS vandal resistant angle stop with double o-ring connection
- Adjustable installation (left or right connection)

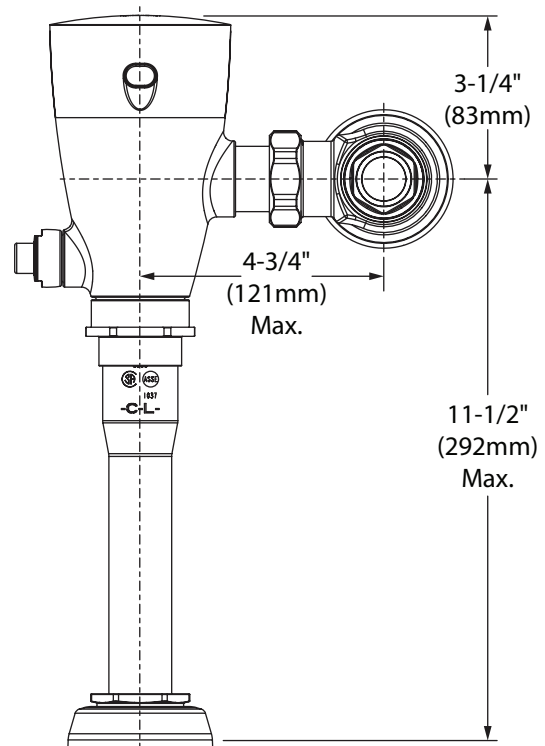
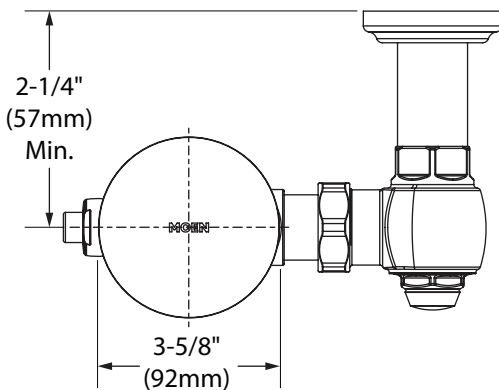
**STANDARDS**

- Third party certified by IAPMO and CSA to meet ASME A112.19.2M and all applicable requirements referenced therein and complies with requirements of ASSE 1037
- BAA
- ADA 

**WARRANTY**

- Warranted for 5 years against material or manufacturing defects

*\*Typical alkaline battery life at 130 uses per day is about 8 years*



**CRITICAL DIMENSIONS**

(DO NOT SCALE)

## PRODUCT DESCRIPTION

- Brass construction w/chrome plated finish
- 1 IPS supply
- 1-1/4" top spud

## OPERATION

- Adjustable sensor eyes
- Battery powered (4) standard AA (included)
- Average battery life 250,000 cycles
- Self-diagnostic electronics
- Piston flushing mechanism
- Self cleaning filter system
- Low battery indicator light

## FLOW

- Operating pressures 10 to 125 psi
- 1.0 gpf (gallons per flush)
- 24 hour sentinel flush
- Manual override button

## VALVES

- 1" IPS angle stop (vandal resistant)
- Adjustable installation (left or right connection)

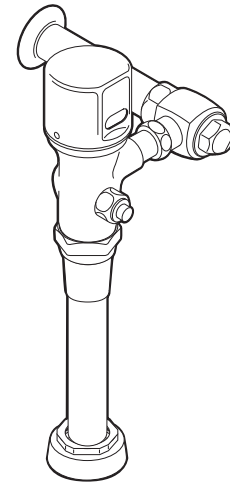
## STANDARDS

- Third party certified by IAPMO and CSA to meet ASME A112.19.2M and all applicable requirements referenced therein and complies with requirements of ASSE 1037

- **ADA** 

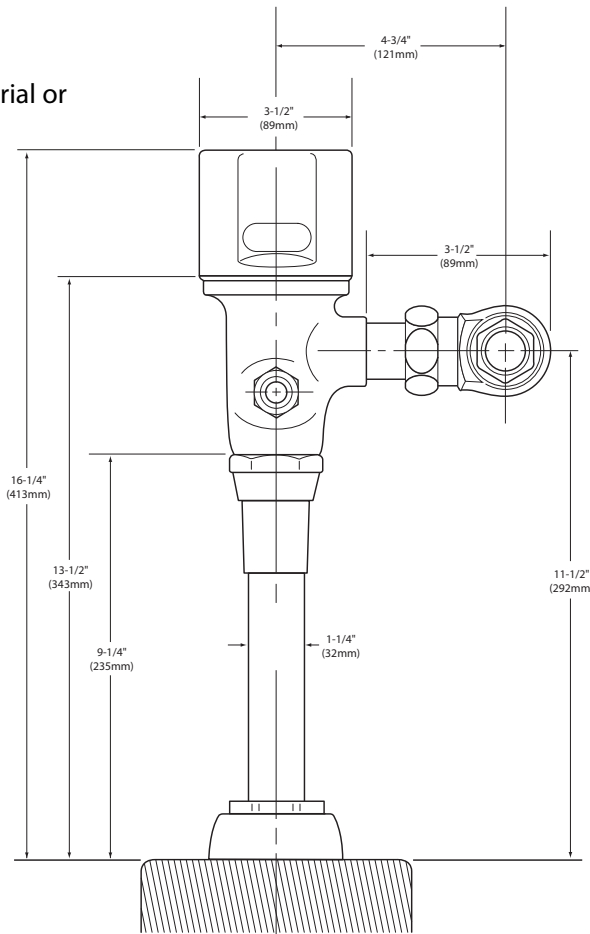
## WARRANTY

- Warranted for 5 years against material or manufacture defects.



**1-1/4" Battery Powered Exposed Style Urinal Flush Valve**

**Model: 8314**



## **CRITICAL DIMENSIONS**

(DO NOT SCALE)