

PRODUCT DESCRIPTION

- Manual exposed flushometer retrofit
- Cast brass construction with chrome electroplated finish
- Chloramines resistant seals
- 1-1/2" tailpiece nut assembly
- High back pressure vacuum breaker
- ADA compliant handle with dual o-ring seals
- All flush valves are intended for use with compatible flush volume fixtures as specified by the fixture manufacturer. WaterSense® labeled flush valves should be used with a WaterSense® labeled fixture that has a compatible flush volume to ensure complete system performance.

OPERATION

- Operating pressures: 15 to 120 psi
- AccuSet™ piston technology
- Self-cleaning filter

FLOW


Closet

- 8310MR35 (3.5 gpf/13.2 Lpf)
- 8310MR16 (1.6 gpf/6.0 Lpf)
- 8310MR128 (1.28 gpf/4.8 Lpf) –WaterSense® certified

Urinal

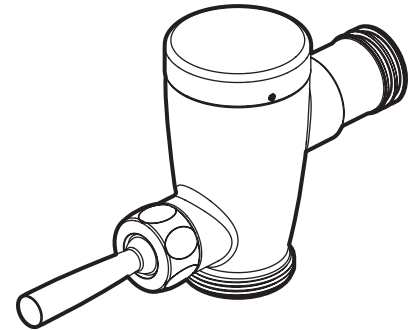
- 8312MR10 (1.0 gpf/3.8 Lpf)
- 8312MR05 (0.5 gpf/1.9 Lpf) – WaterSense® certified
- 8312MR0125 (0.125 gpf/0.5 Lpf) –WaterSense® certified

STANDARDS

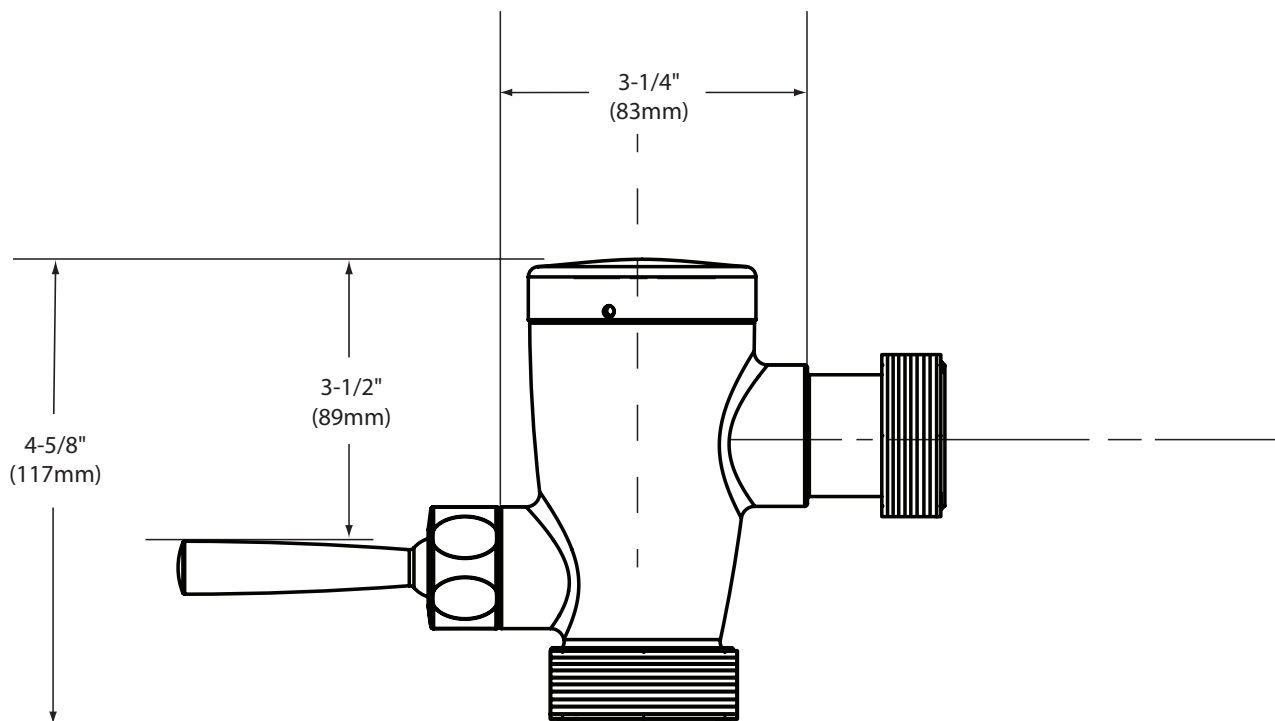
- Third party certified to meet: ASSE1037 / ASME A112.1037 / CSA125.37, ASME A112.19.2 / CSA B45.1 and all applicable requirements referenced therein
- BAA
- ADA 

WARRANTY

- Warranted for 5 years against material or manufacturing defects



Manual Exposed Style Flush Valve Retrofit



CRITICAL DIMENSIONS

(DO NOT SCALE)