

DESCRIPTION

- Brass construction with chrome plated finish
- 4" centerset
- 1/2" IPS connections
- Vandal resistant torx head screws
- Vandal resistant aerator

OPERATION

- Lever style handles with hot and cold color indicators

FLOW


- Aerator is limited to 2.2 gpm max. (8.3 L/min)

CARTRIDGE

- Brass shell, ceramic disc cartridge
- 1/4 turn operation

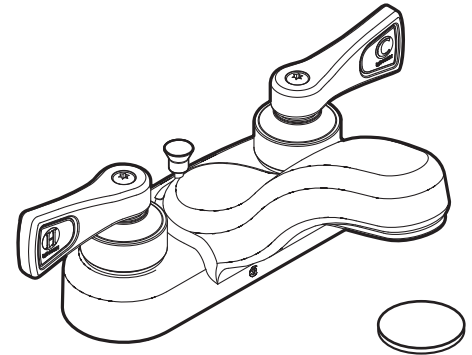
STANDARDS

- Third party certified to CSA B125.1, ASME A112.18.1, and all applicable requirements referenced therein
- Certified to ANSI/NSF 61/9
- Contains no more than 0.25% weighted average lead content
- Complies with California Proposition 65 and with the Federal Safe Drinking Water Act

- **ADA**  for lever handles

WARRANTY

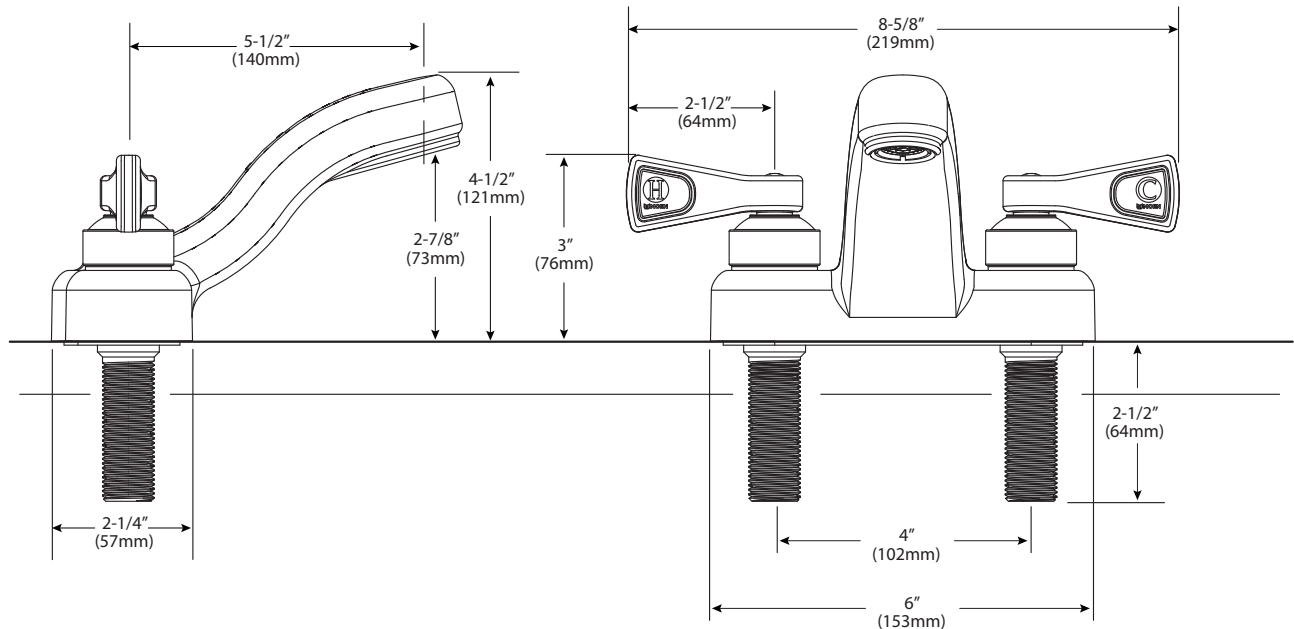
- Warranted for 5 years against material or manufacturing defects



Two-Handle Lavatory Faucet with Metal Waste Assembly

Model: 8216

NOTE: Designed to be installed through 2 holes - 1" min. dia.



CRITICAL DIMENSIONS

(DO NOT SCALE)