

## FAUCET DESCRIPTION

- Metal construction with either chrome plated, decorative glacier or sand finish
- 1/2" IPS connections will accept standard ball nose connection for 3/8" tubing
- Includes Protégé Side Spray

## OPERATION

- Lever style handle
- Temperature controlled by 180° arc of handle travel
- Will operate with less than 5lbs. of force

## FLOW

- Aerator is limited to 2.2 gpm max (8.3 L/min)

## CARTRIDGE

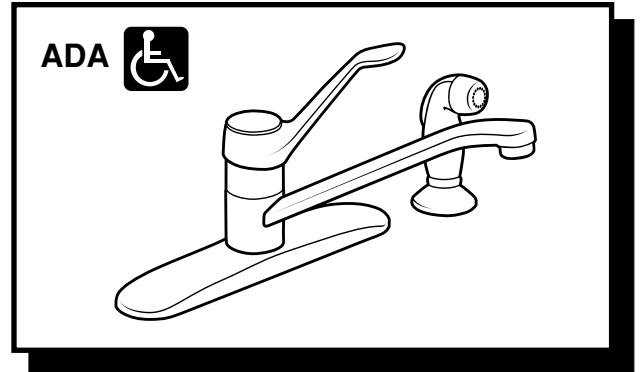
- 1225 cartridge design (not 1200)
- Nonmetallic/nonferrous and stainless steel material

## STANDARDS

- Designed and manufactured to comply with the requirements of: CSA B-125, ASME A112.18.1M, and all applicable requirements referenced therein and complies with the applicable requirements of ANSI A117.1.
- Certified to ANSI/NSF 61/9
- Complies with California Proposition 65 and with the Federal Safe Water Drinking Act

## WARRANTY

- Lifetime limited warranty against leaks, drips and finish defects to the original consumer purchaser
- 5 year warranty if used in commercial installations

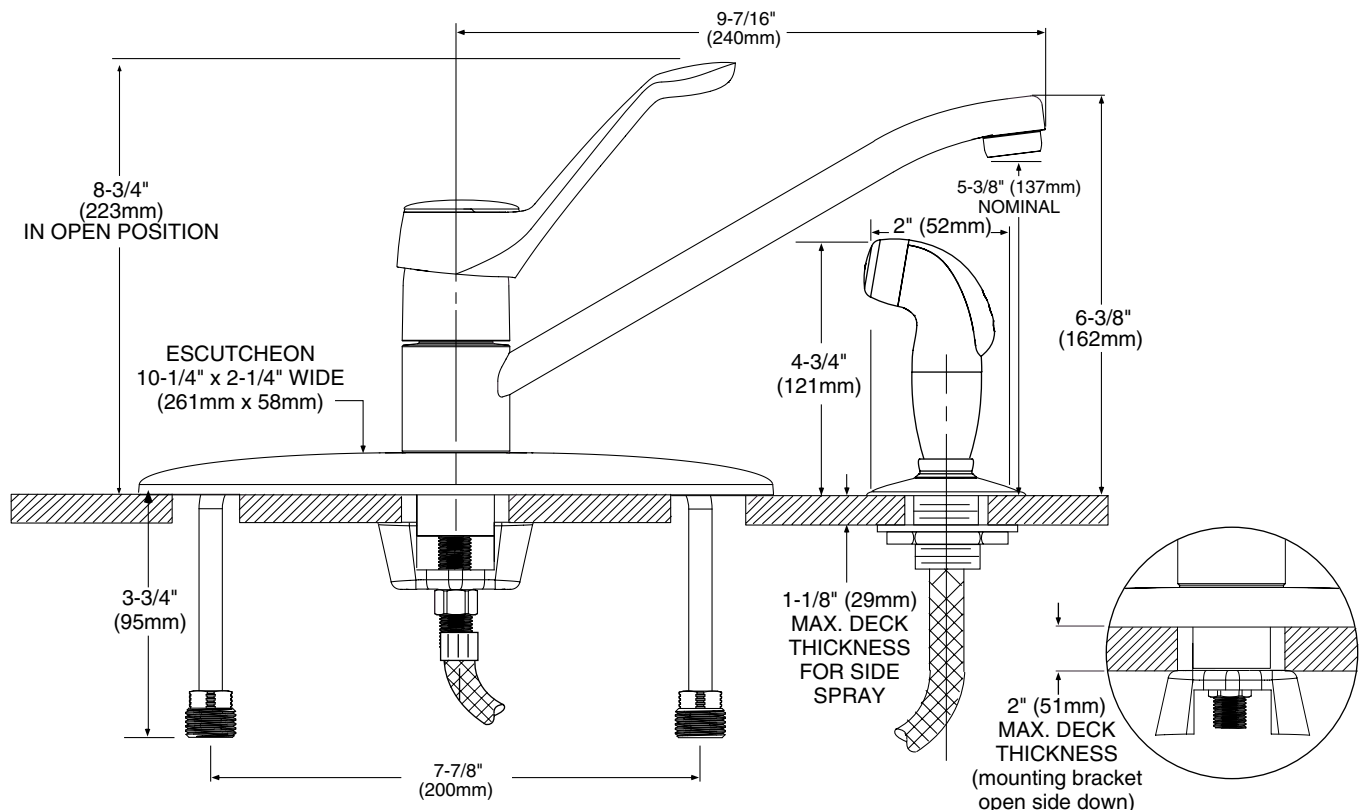


**CHATEAU®**  
Single-Handle Kitchen Faucet  
w/Protégé Side Spray

**Model: 67430**  
**(bulk packed 12 per carton)**

**NOTE: See reverse side**  
**for illustrated parts**

**NOTE: DESIGNED TO INSTALL THROUGH**  
**4 HOLES 1-1/4" (32mm) MIN. DIA. AND 4"**  
**(102mm) ON CENTER.**



## CRITICAL DIMENSIONS

(DO NOT SCALE)