

DESCRIPTION

- Pressure balancing cycle valve design with an adjustable temperature limit stop and integral 1/4 turn stops
- 1/2" IPS connections

OPERATION

- Handle operates counterclockwise through a 270° arc with off at 6 o'clock and maximum hot at the 9 o'clock position. Shut off in clockwise direction
- Adjustable temperature limit stop to control maximum hot water temperature
- Pressure balancing mechanism maintains selected discharge temperature to $\pm 2^\circ$

CARTRIDGE

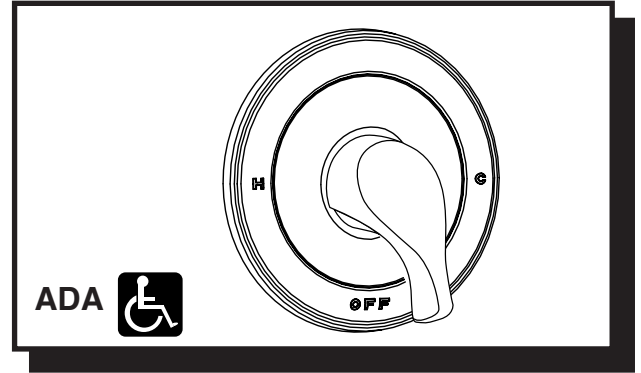
- 1222 cartridge design
- Nonmetallic/nonferrous and stainless steel materials
- Accommodates back to back installations

STANDARDS

- Third party certified by CSA to meet CSA B-125 and ASME A112.18.1M and all applicable requirements referenced therein and complies with the applicable requirements of ANSI A117.1

WARRANTY

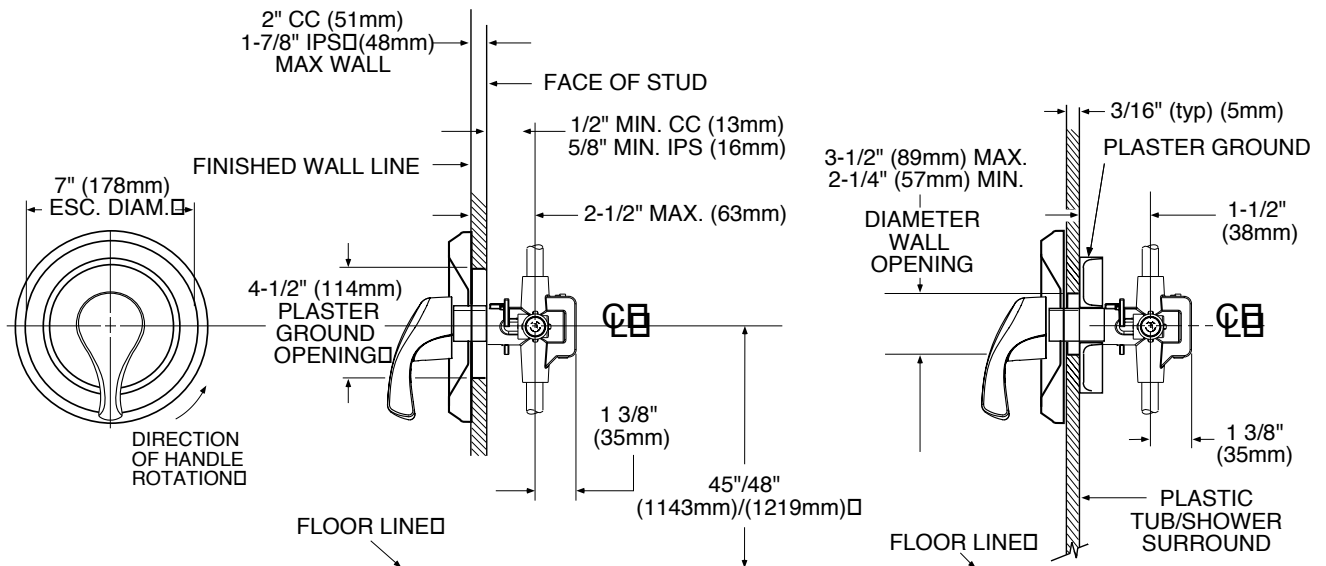
- Lifetime limited warranty against leaks, drips and finish defects to the original consumer purchaser
- 5 year warranty if used in commercial installations



CHATEAU® POSI-TEMP®
Single-Handle Tub/Shower Valve Only

Model: 62390
(Bulk packed 12 per carton)
Shown with TL181 Trim

NOTE: See reverse side for illustrated parts



CRITICAL DIMENSIONS

(DO NOT SCALE)



ADA symbol applies to shower valve control only.