

DESCRIPTION

- Chrome plated or Classic Brushed Nickel (CBN) finish
- Single function handheld shower with non-positive shut off
- Contains: hand-held shower, 30" slide bar, drop ell, vacuum breaker, 69" metal hose and mounting hardware
- **SLIDE BAR IS NOT TO BE USED AS A GRAB BAR**
- Supplied with vandal resistant screws
- Quick cleaning rubber nozzles

FLOW

- **52710** (2.5gpm/9.5 lpm) - Chrome finish
- **52710CBN** (2.5gpm/9.5 lpm) - CBN finish
- **52710EP15** (1.5gpm/5.7 lpm) - Chrome finish; **WaterSense®** certified
- **52710EP15CBN** (1.5gpm/5.7 lpm) - CBN finish; **WaterSense®** certified

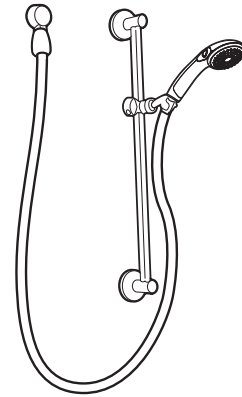
STANDARDS

- Third party certified to WaterSense® (only applies to 1.5 gpm), ASME A112.18.1/CSA B125.1, ASSE 1014 and all applicable requirements referenced therein

- **ADA** 

WARRANTY

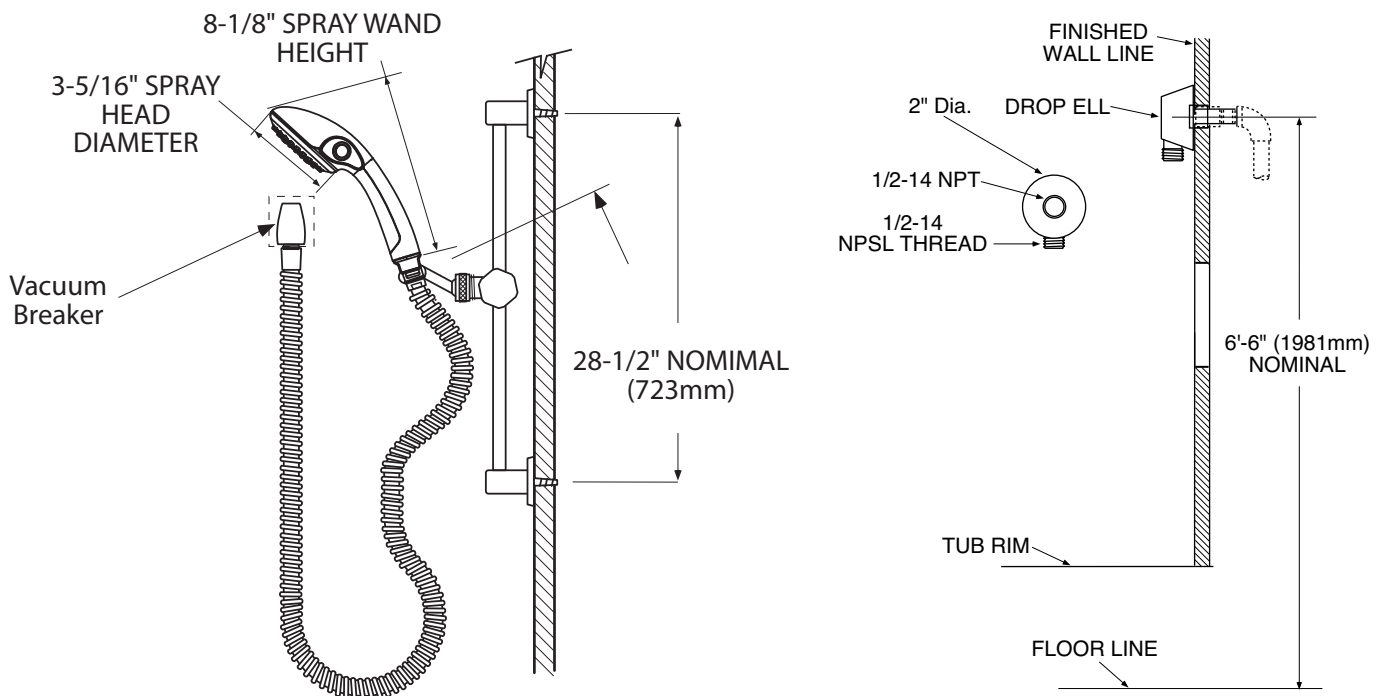
- Warranted for 5 years against material or manufacturing defects



Hand-Held Shower System



EP Models Only



CRITICAL DIMENSIONS

(DO NOT SCALE)