



Buy it for looks. Buy it for life.®

DESCRIPTION

- Fixed mount showerhead, arm and flange
- Nonmetallic spray face
- Nonmetallic shell

OPERATION

- Single spray

FLOW

- Designed to deliver 2.5 gpm (9.5 L/min) at 60 psi

STANDARDS

- Third party certified by CSA to meet CSA B125 and ASME A112.18.1M and all applicable requirements referenced therein

WARRANTY

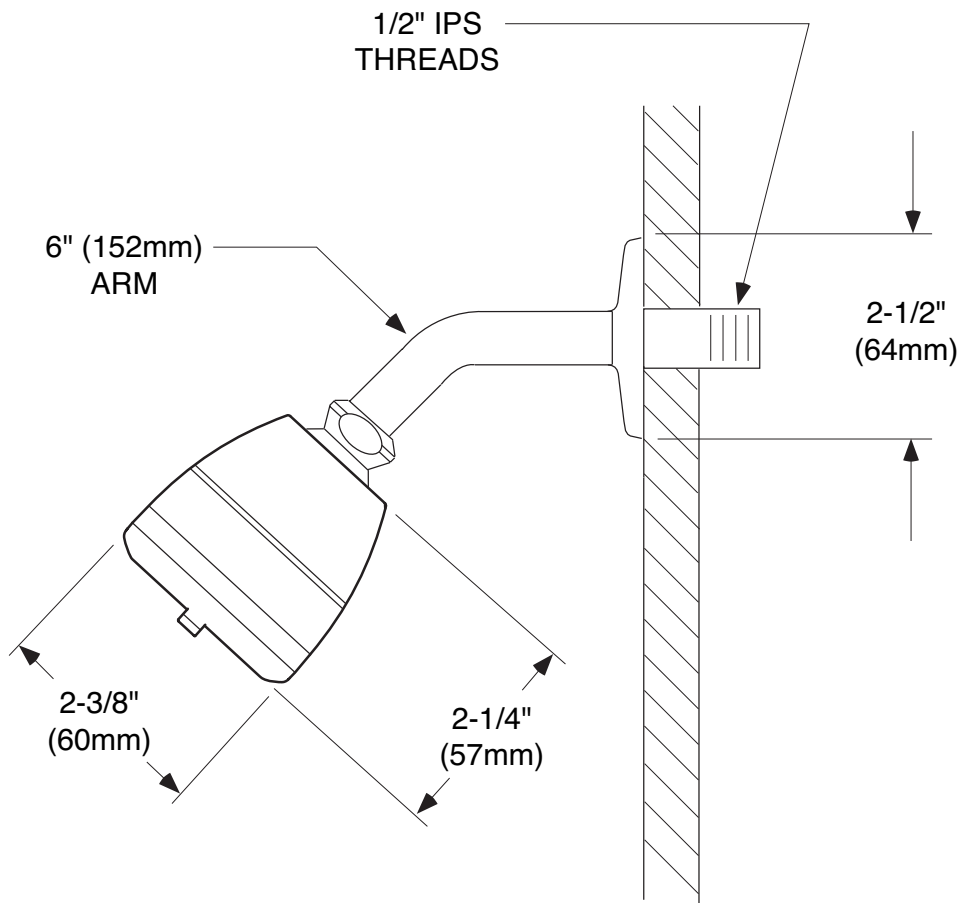
- Lifetime limited warranty against leaks, drips and finish defects to the original consumer purchaser
- 5 year warranty if used in commercial installations

Specifications



EASY CLEAN® 400
Head, Arm and Flange

Models: 3912 (Chrome)
3912CP (Chrome/Pol. Brass)
3912P (Polished Brass)
3912W (Glacier)
3912ST (Satine/Pol. Brass)



CRITICAL DIMENSIONS

(DO NOT SCALE)