

# Contemporary Technical Specification

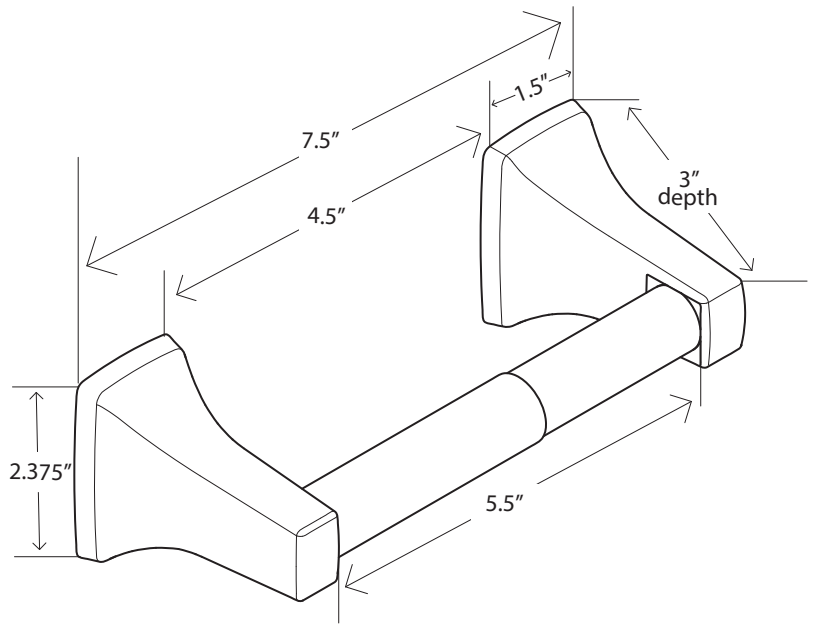
## Paper Holder

2050, 2080

### Stock Numbers:

- **2050CH - Paper Holder**  
Polished Chrome Finish  
Concealed Screw Mounting  
Matching Roller
- **2050BN - Paper Holder**  
Brushed Nickel Finish  
Concealed Screw Mounting  
Matching Roller
- **2080CH - Paper Holder**  
Polished Chrome Finish  
Concealed Screw Mounting  
White Roller
- **2080PB - Paper Holder**  
Polished Brass Finish  
Concealed Screw Mounting  
Matching Roller

### Dimensions:



### Materials:

**Paper Holder** posts are die cast from highest quality zinc alloy (zamac). Castings are triple plated with a polished brass or polished chrome finish. 2050 roller is chrome plated. 2080 roller is white plastic. Both rollers are spring loaded.

### Installation Instructions:

1. Remove mounting bracket from back of fixture by loosening the set screw.
2. Position unit on wall in desired location.
3. Lightly mark the outline of the base of the unit.
4. Center mounting bracket inside the outline.
5. Mark hole locations. Attach bracket to wall using 1-3/8" screws (provided)
6. Mount base on bracket. Tighten set screw on the bottom.

Note: Wood blocking is preferable behind all wall surfaces. If wood blocking is not available, the following optional fasteners are suggested: Tile/Masonry - Plastic or Lead Anchors; Plaster/Drywall Toggle Bolts.

### Cleaning Instructions:

To preserve the fine finish of this product, clean only with a soft damp cloth. Dry well. Do not use commercial or abrasive cleaners.

**Stock Number:** \_\_\_\_\_ **Paper Holder**  
**By MOEN**

# MOEN®

25300 AL MOEN DRIVE • NORTH OLMSTED, OH 44070  
CORPORATE HEADQUARTERS: (800) 321-8809 • FAX: (800) 848-6636  
INTERNATIONAL: (440) 962-2000 • FAX: (440) 962-2726  
CUSTOMER SERVICE (USA): 800-882-0116 • FAX: (888) 379-2720  
WWW.MOEN.COM  
©Copyright Moen Incorporated