

Contemporary Technical Specification

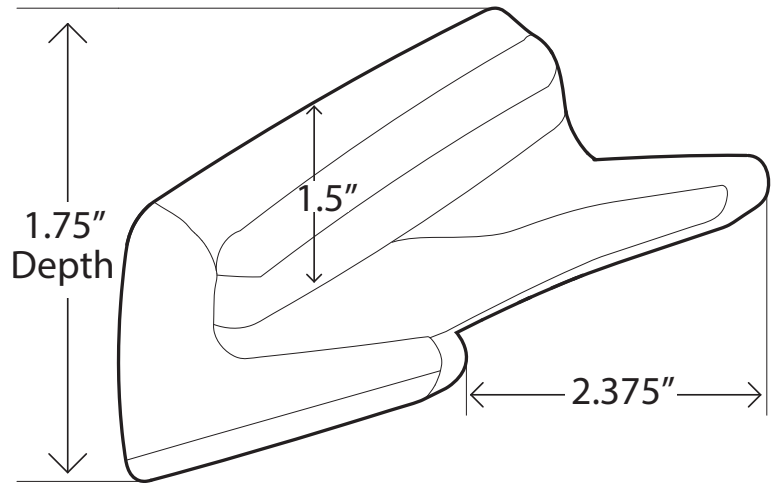
Robe Hook

2030

Stock Numbers:

- **2030 - Double Robe Hook**
Polished Chrome Finish
Concealed Screw Mounting
- **2030BN - Double Robe Hook**
Brushed Nickel Finish
Concealed Screw Mounting

Dimensions:



Materials:

Robe Hook is die cast from highest quality zinc alloy (zamac). Castings are triple plated with a polished brass or a polished chrome finish.

Installation Instructions:

1. Remove mounting bracket from back of fixture by loosening the set screw.
2. Position unit on wall in desired location.
3. Lightly mark the outline of the base of the unit.
4. Center mounting bracket inside the outline.
5. Mark hole locations. Attach bracket to wall using 1-3/8" screws (provided)
6. Mount base on bracket. Tighten set screw on the bottom.

Note: Wood blocking is preferable behind all wall surfaces. If wood blocking is not available, the following optional fasteners are suggested: Tile/Masonry - Plastic or Lead Anchors; Plaster/Drywall Toggle Bolts.

Cleaning Instructions:

To preserve the fine finish of this product, clean only with a soft damp cloth. Dry well. Do not use commercial or abrasive cleaners.

Stock Number: _____ **Robe Hook**
By MOEN

MOEN®

25300 AL MOEN DRIVE • NORTH OLMSTED, OH 44070
CORPORATE HEADQUARTERS: (800) 321-8809 • FAX: (800) 848-6636
INTERNATIONAL: (440) 962-2000 • FAX: (440) 962-2726
CUSTOMER SERVICE (USA): 800-882-0116 • FAX: (888) 379-2720
WWW.MOEN.COM
©Copyright Moen Incorporated