



Buy it for looks. Buy it for life.®

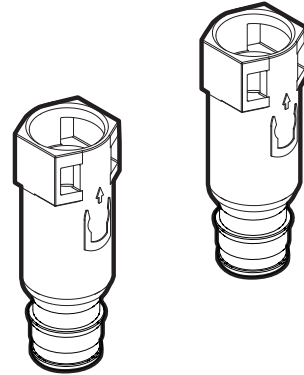
Specifications

DESCRIPTION

- 1/2" fitting compatible with Wirsbo™ AQUAPEX® tubing
- Attaches to Moen® valves with integral PEX fittings

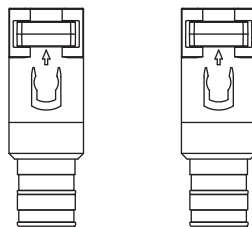
STANDARDS

- Third party certified to comply with ASME A121.18.1 and all applicable requirements referenced therein
- Dimensions per ASTM F1960 standard specification for cold expansion fittings with PEX reinforcing rings for use with cross-linked polyethylene (PEX) tubing



Wirsbo™ AQUAPEX® Transition Fitting

Model: 140715



CRITICAL DIMENSIONS

(DO NOT SCALE)

FOR MORE INFORMATION CALL: 1-800-BUY-MOEN

www.moen.com