

Specifications

DESCRIPTION

- Thermostatic mixing valve, with adjustable temperature control cartridge
- All brass construction with vandal resistant cap
- 1/2" CC connections
- Hot and cold check valves prevent possible backflow on water supply inlets
- Stainless steel internal strainer protect against line trash

OPERATION

- Factory preset at 115°F (46°C)
- Adjustable from 95°F (35°C) to 120°F (49°C), with a ± 3.6°F (± 2°C) temperature accuracy
- Working pressure: maximum=125 psi (861 kPa), minimum=20 psi (138k Pa)
- Flow rate at 45 psi (310 kPa)=11 gpm (42 L/min), maximum flow rate=12.5 gpm (47 L/min), minimum flow rate=1.0 gpm (3.8 L/min)
- Cold water supply=39° (4°C) to 80°F (27°C), hot water supply=120° (49°C) to 180°F (82°C)

CARTRIDGE

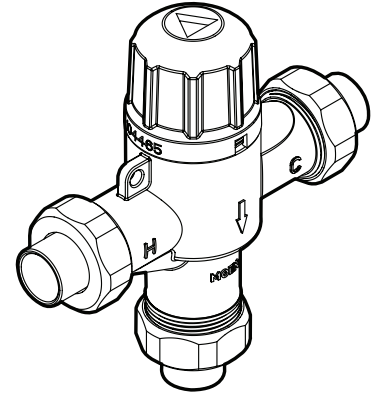
- Paraffin based thermostatic engine

STANDARDS

- Third party certified to meet ASSE 1070/ASME A112.1070/CSA B125.70 and all applicable requirements referenced therein
- NSF 372 certified

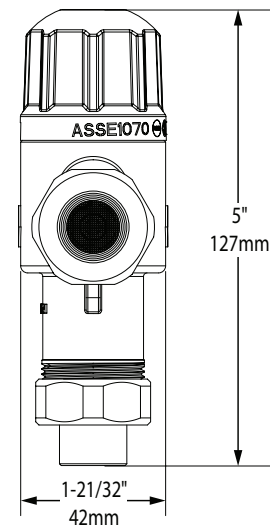
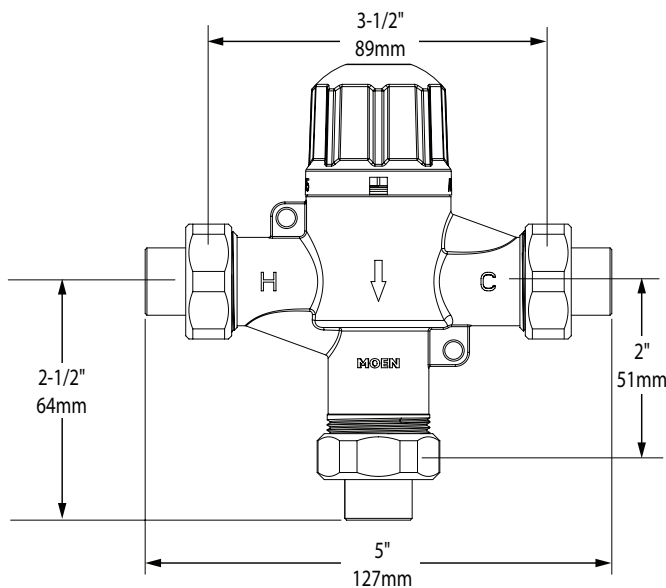
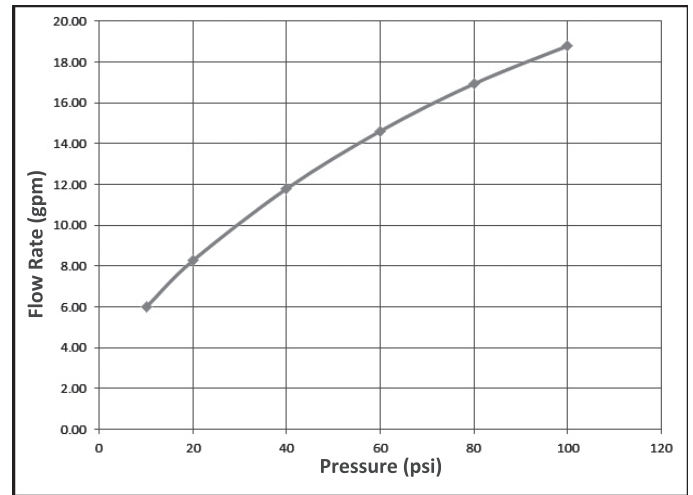
WARRANTY

- 5 year limited warranty



**Adjustable Temperature
Thermostatic Mixing Valve**

MODEL: 104465



CRITICAL DIMENSIONS

(DO NOT SCALE)