



nebia BY MOEN™

SHOWERING REIMAGINED.●

SET-UP GUIDE

GUIDE D'INSTALLATION | GUÍA DE CONFIGURACIÓN

Nebia by Moen™ delivers a blissful spa shower experience you'll enjoy for years to come — and it won't take long to install. Simple and intuitive “click together” features assure watertight seals without complicated plumbing tools.

Let's get started.

HELPFUL TOOLS

For safety and ease of installation, Moen recommends the use of these helpful tools.



THREAD SEAL TAPE



ALCOHOL PADS



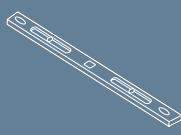
SAFETY GOGGLES



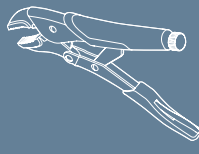
PERMANENT MARKER



WRENCH



LEVEL



WISE GRIPS

For installation help, visit moen.com/nebia for demonstration videos and more information.

Please contact Moen first for installation help, missing or replacement parts.

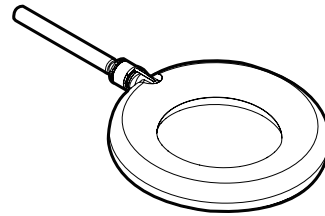
USA: 1.800.BUY.MOEN (1.800.289.6636) | moen.com

CANADA: 1.800.465.6130 | www.moen.ca

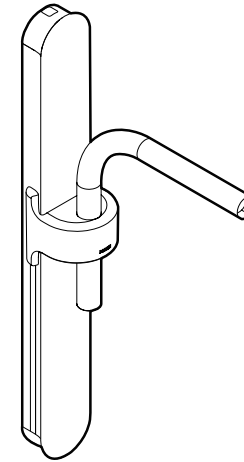
Please record your product's item number here for future reference: _____

MEET YOUR NEBIA BY MOEN SPA SHOWER

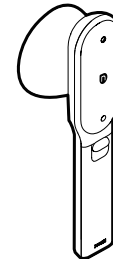
RAINSHOWER



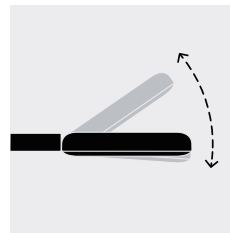
SLIDING BRACKET



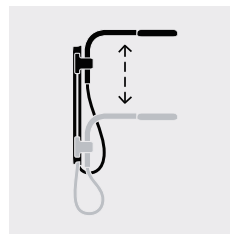
HANDSHOWER & MAGNETIC DOCK



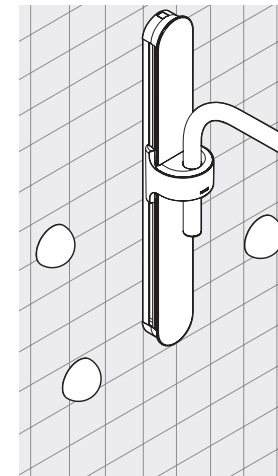
PRODUCT FEATURES



Rainshower tilts up and down.

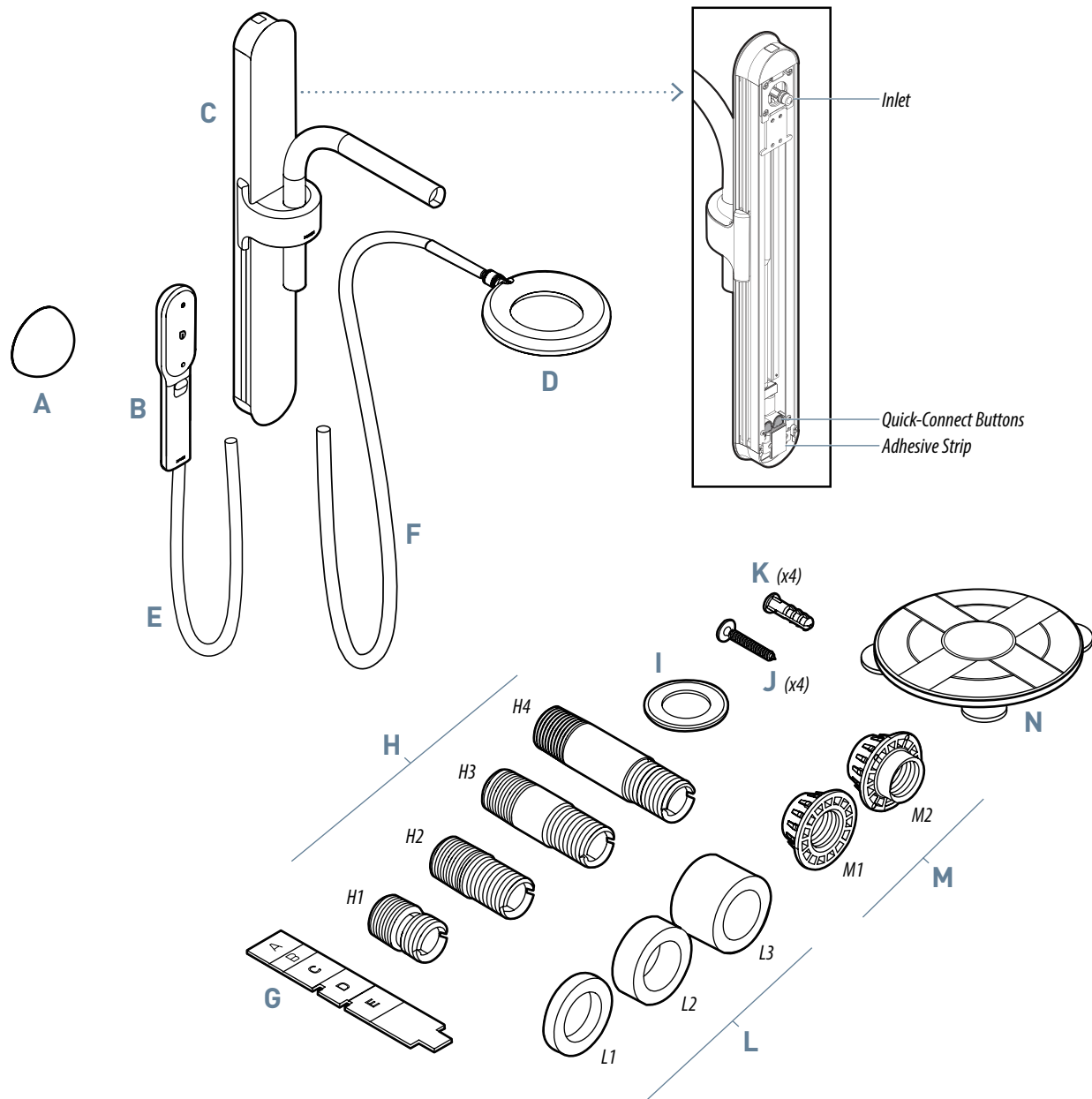


Sliding arm for 17" of height range.



Your handshower includes a magnetic dock that you can place wherever you like on your shower wall. You can even purchase additional docks and place them at varying heights, depending on your showering preferences or to accommodate different users.

PRODUCT COMPONENTS & PARTS FOR ASSEMBLY



PRODUCT COMPONENTS

- A. Magnetic Dock
- B. Handshower
- C. Bracket
- D. Rainshower
- E. 59" Handshower Hose
- F. Rainshower Connection Hose

PARTS FOR ASSEMBLY

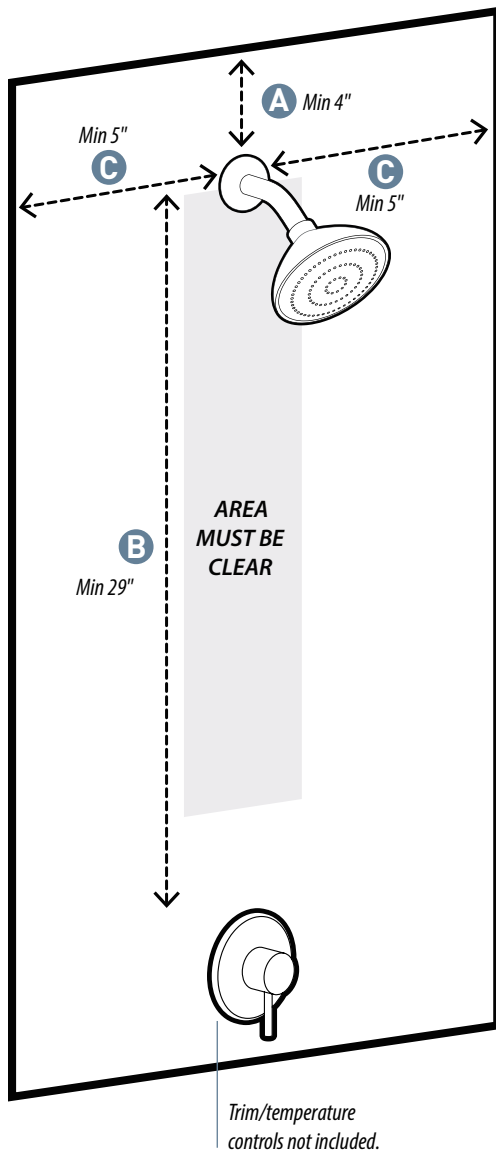
- G. Installation Key
- H. Adapters
(Choose correct adapter after measuring the inlet depth in Step 2. See chart on page 4.)
- I. Gasket
- J. Wall Screws (x4)*
- K. Wall Anchors (x4)*
- L. Spacers
(For installation with shower walls that have a ledge.)
- M. Collars
(Choose correct collar after measuring the inlet depth in Step 2. See chart on page 4.)
- N. Magnetic Dock Adhesive Wall Bracket

* Optional permanent installation hardware for commercial use.
Not recommended for use in home

PLEASE NOTE:

There will be parts remaining after installation. Keep all parts for future use.

COMPATIBILITY REQUIREMENTS



To install Nebia by Moen, you will need:



WATER HEATER TEMPERATURE
of at least 115°F/46°C



WATER PRESSURE
of at least 20psi/1.4bar

SPACING

- The water outlet must be in a wall (not the ceiling).
- The recommended floor to water outlet distance is 72"-84" (183-213cm).
- The minimum clearance from water outlet to ceiling is 4" (10cm) (A).
- Make sure there is 29" (74cm) (B) of clear space between your shower arm and the top of the trim/temperature controls.
- The minimum clearance from nearest side wall is 5" (13cm) (C).

OTHER

- Your wall must have a 1/2" NPT (or 1/2" BSPT) pipe connection (this is standard in most bathrooms).
- The wall surface cannot be slate.

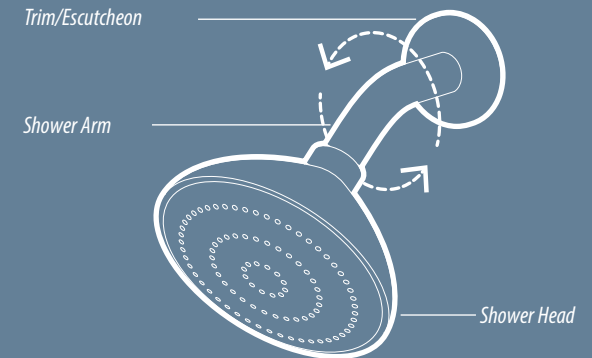
PREPARING FOR INSTALL

STEP 1:

Unscrew and remove your old shower arm and showerhead from the wall by turning counterclockwise.* With Nebia by Moen, you'll no longer need it.

Then, remove the trim/escutcheon from the wall. Before installing your new product, clean all walls and surfaces.

**If needed, this may be the only step where you use vise grips or a wrench.*



PREPARING FOR INSTALL

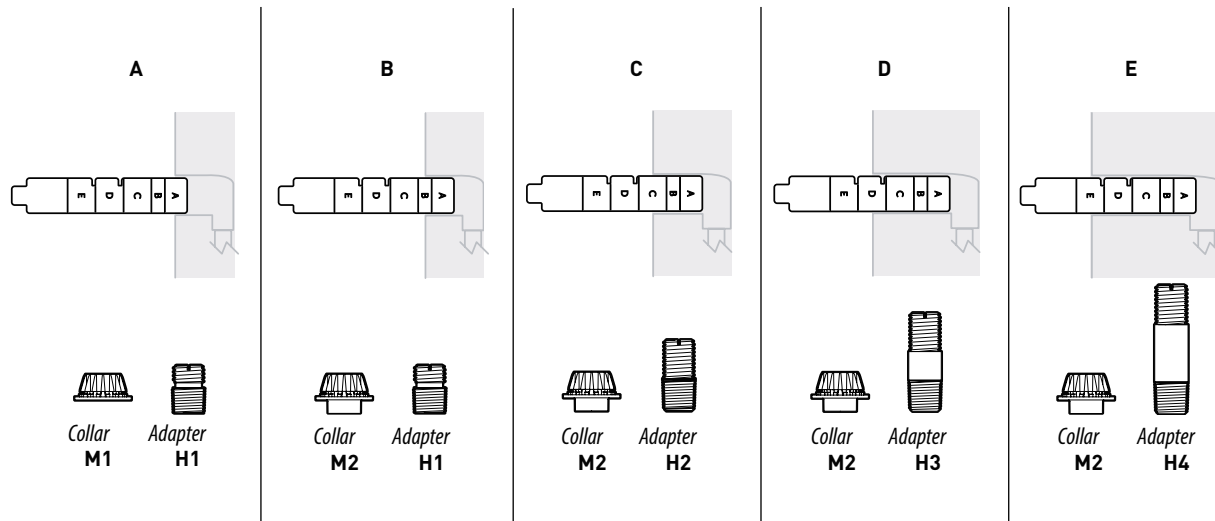
(See page 2 for letter references in bold.)

STEP 2:

Use the installation key tool (**G**) (it looks like a small ruler) to determine the depth of the hole where your shower arm used to be. Stick the flat end of the key in the hole, and use a permanent marker to mark where it meets the edge of the wall. Take a look at the letter you've marked on the key: A, B, C, D or E. This measurement will be critical in choosing the correct adapter and collar for your installation.

STEP 3:

Using the letter you marked in Step 2 as your guide, grab the correct adapter (**H1, H2, H3** or **H4**) (brass tube-like piece) and collar (**M1** or **M2**) (black plastic funnel-shaped part). **See the chart below.** There are several options included in your box. You will only use one of each. For example, if you marked letter A on your installation key tool, you will need the short collar (**M1**) and the shortest adapter (**H1**).

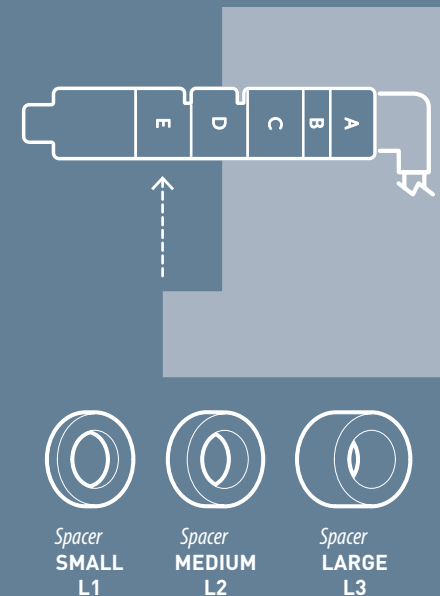


STEP 3A: IF YOU HAVE A LEDGE

If your Nebia by Moen base will overlap a ledge on your wall — like a decorative tub surround — mark this outside depth instead.

The installation key letter that aligns with the ledge (not the wall) will indicate the correct combination of adapter and collar. Then you must choose the correct spacer to fill the gap between the back of your collar and the wall before installing your Nebia by Moen.

To do this, compare your ledge to the widths of the different spacers provided (**L1, L2** or **L3**) and select one that best fills the gap.



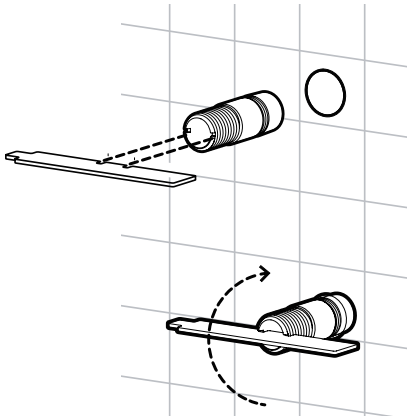
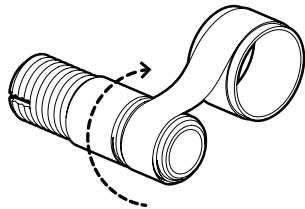
PREPARING FOR INSTALL

(See page 2 for letter references in bold.)

STEP 4:

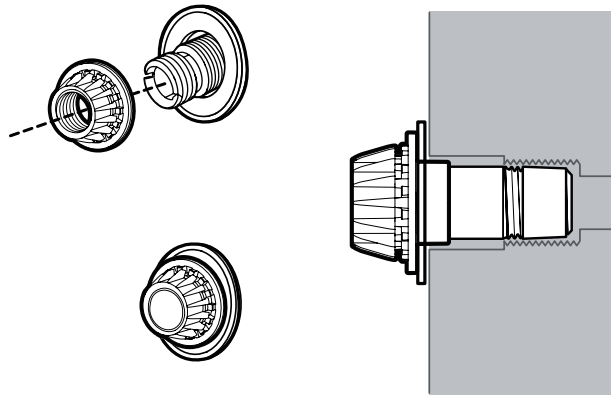
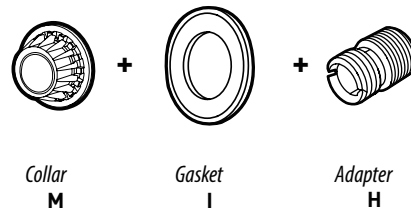
Wrap the threads on the tapered side of the adapter with four or five layers of thread seal tape. Then, screw the adapter into the wall — first by hand.

Get out the installation key again. You'll see notches on one side. These easily slide onto the open end of the adapter, creating leverage so you can turn the adapter and screw it on completely.



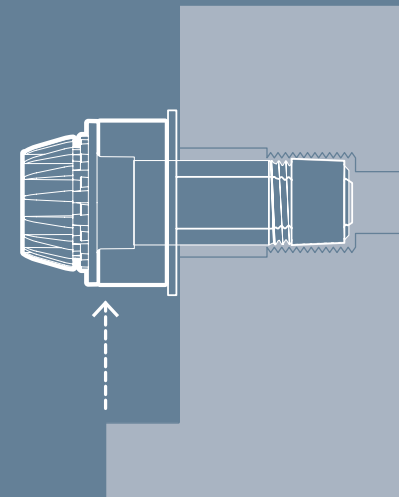
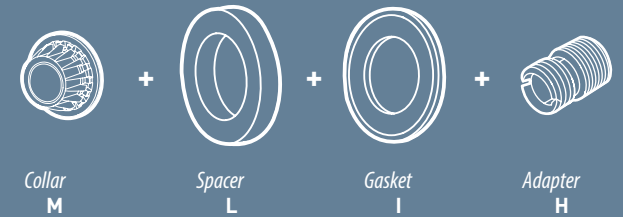
STEP 5:

Take the collar you selected in Step 3, and slip the rubber gasket (**I**) onto the flat end of the adapter. Screw the collar onto the gasket/adapter until the gasket rests flush against the wall.



STEP 5A: IF YOU HAVE A LEDGE

Because you have a ledge, you'll need to use the spacer you selected in Step 3 to correctly position your Nebia by Moen bracket. Once you've placed the gasket over the adapter, insert the spacer over the adapter as well. Then screw the collar onto the spacer/gasket/adapter combo until the gasket pushes firmly against the wall.



INSTALLING THE BRACKET

STEP 6:

Your Nebia by Moen will stay securely in place with a waterproof adhesive.* To achieve the best bond, clean your shower walls with alcohol pads and dry thoroughly — removing all soap residue. In Step 7, you will expose the adhesive.

***Optional mounting screws and anchors provided. See optional steps on page 10.**

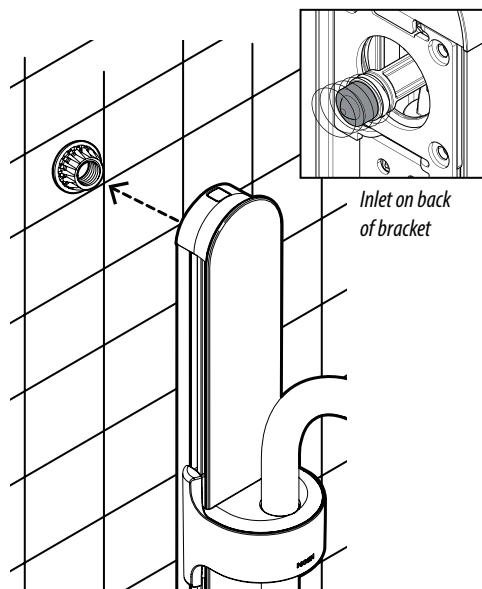
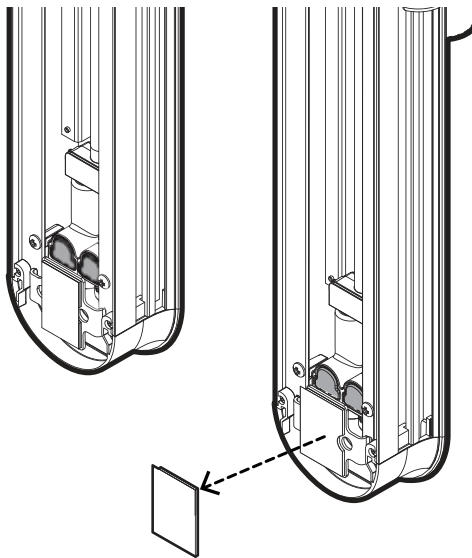
STEP 7:

Now it's time to connect Nebia by Moen to the wall. First, double check that your filter screen and spring are present before installing. Next, remove the adhesive liner on the back of the bracket. Pick up the bracket at the top — being careful not to prematurely stick the adhesive strip to the wall. Push the inlet on the back into the collar you installed earlier. No screwing or twisting is needed. Continue to push until you hear a "click."

If you're having trouble clicking the base into place, or you don't hear the "click," pull the base away from the wall, unscrew the collar about ¼ turn, and try again.

STEP 8:

The water connection is complete. Now adjust the bracket until it's straight and level. Push the adhesive against the wall for about 1 minute to secure. For optimal adhesive strength, allow to cure 24 hours before showering.

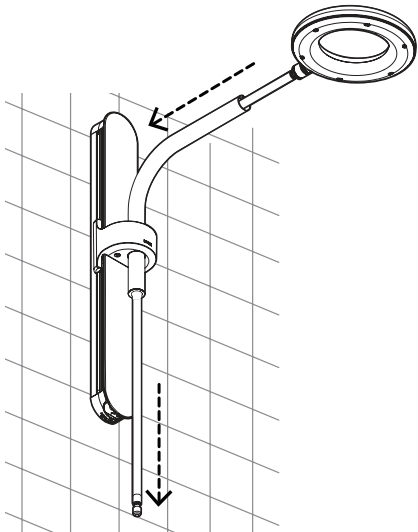


INSTALLING THE RAINSHOWER AND MAGNETIC HANDSHOWER DOCK

STEP 9:

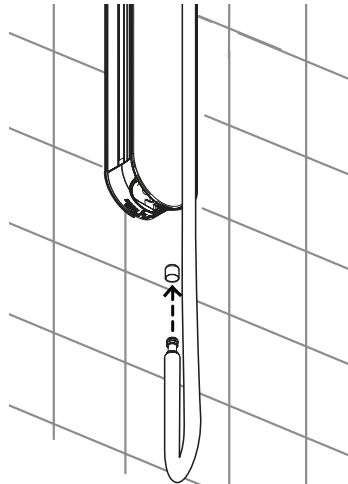
To install the rainshower, feed the rainshower hose all the way through the shower arm. Push the rainshower into the arm until you hear a click.

Helpful Tip: Slide the shower arm down on the base so it's easier to reach.



STEP 10:

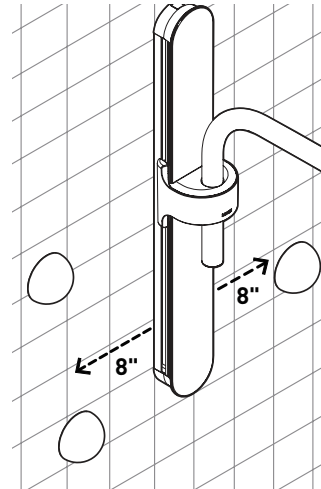
Remove and discard the protective cap on the plastic end of the rainshower hose. Insert this end into one of the quick-connect plugs on the bottom of the bracket. If you plan to have your handshower dock to the right of the bracket, install the rainshower hose on the left. If you plan to have your handshower dock to the left, install the rainshower hose on the right. Push until you hear a “click” and tug gently to test the connection.



STEP 11:

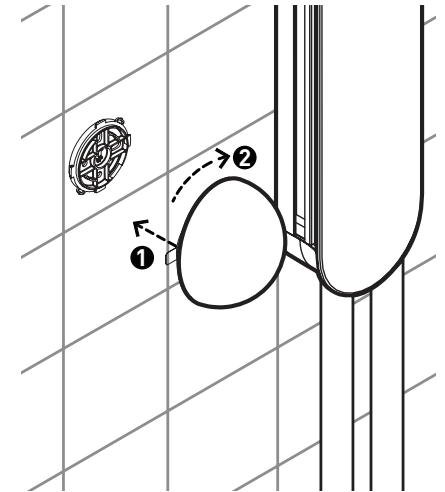
Your handshower includes a magnetic dock that you can place wherever you like on your shower wall. You can even purchase additional docks and place them at varying heights, depending on your showering preferences or to accommodate different users. Once you’ve selected a location, clean your shower walls with alcohol pads and dry thoroughly — removing all soap residue.

Helpful Tip: For the best full-coverage experience, use the Nebia by Moen handshower like a body spray and install it at hip or torso height, 8 inches to the left or right of the bracket.



STEP 12:

Optional mounting screws and anchors provided. See optional steps on page 9 before installing the dock adhesive. Peel away the adhesive liner from the back of the magnetic dock’s wall bracket. Stick it to the wall, and firmly push it in place for about 1 minute. For optimal adhesive strength, allow to cure 24 hours before sliding the dock onto the bracket. Slide the dock over the bracket and twist it until you hear a “click.”



INSTALLING THE HANDSHOWER

STEP 13:

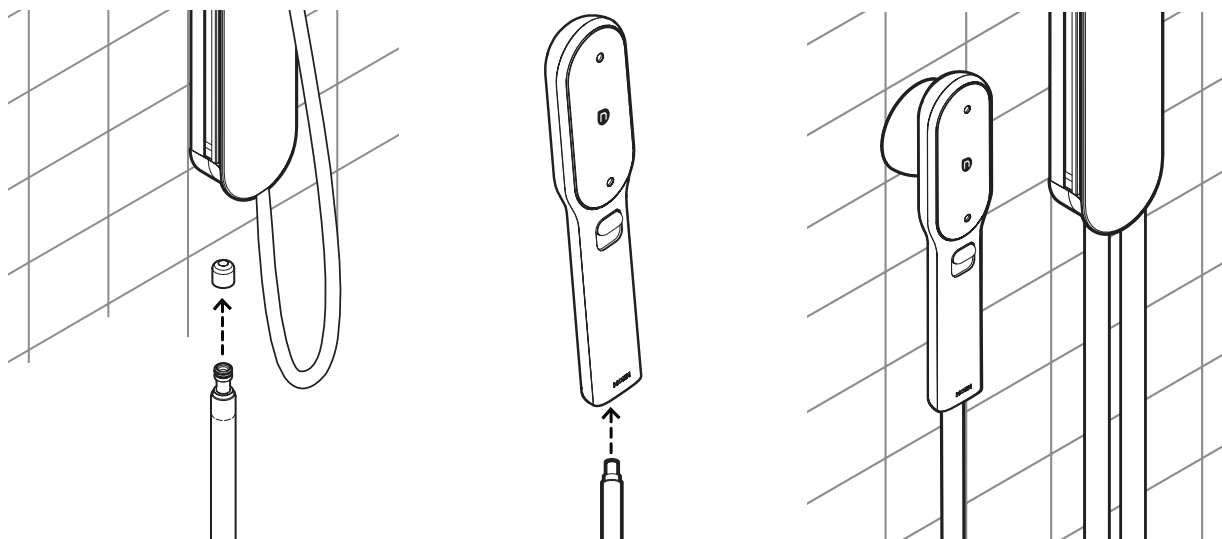
The handshower hose has one metal end, and one plastic end. Remove and discard the protective cap on the plastic end of the hose. Insert this plastic end into the remaining quick-connect plug on the bottom of the bracket. Push until you hear a “click” and tug gently to test the connection.

STEP 14:

Connect the handshower to the hose by removing the protective cap from the metal end of the hose. Insert it into the bottom of the handshower. Tug gently to test the connection.

STEP 15:

Place the handshower on the dock. It will magnetically hold – and you can easily swivel it to the angle you like best.



STEP 16:

Register your Nebia by Moen shower at www.moen.com/register.

Visit moen.com/nebia for tips and videos.

CLEANING INSTRUCTIONS

Spot Resist™ Stainless and Spot Resist™ Brushed Nickel Finishes: Moen recommends cleaning the Spot Resist finish with a mild soap, rinsing thoroughly with warm water and drying with a clean, soft cloth. Never use cleaners containing abrasives (including abrasive sponges or steel wool), ammonia, bleach or sodium hypochlorite, organic solvents (e.g. alcohols) or other harsh chemicals (e.g. lime scale removers) to clean the Spot Resist finish, as they may damage the finish. Failure to comply with these cleaning instructions may void Moen's warranty.

LIMITED LIFETIME WARRANTY

Moen products have been manufactured under the highest standards of quality and workmanship. Moen warrants to the original consumer purchaser for as long as the original consumer purchaser owns their home (the "Warranty Period" for homeowners), that this faucet will be leak- and drip-free during normal use and all parts and finishes of this faucet will be free from defects in material and manufacturing workmanship. All other purchasers (including purchasers for industrial, commercial and business use) are warranted for a period of 5 years from the original date of purchase (the "Warranty Period" for non-homeowners).

If this faucet should ever develop a leak or drip during the Warranty Period, Moen will FREE OF CHARGE provide the parts necessary to put the faucet back in good working condition and will replace FREE OF CHARGE any part or finish that proves defective in material and manufacturing workmanship, under normal installation, use and service. Replacement parts may be obtained by calling 1-800-289-6636 (Canada 1-800-465-6130), or by writing to the address shown. Proof of purchase (original sales receipt) from the original consumer purchaser must accompany all warranty claims. Defects or damage caused by the use of other than genuine Moen parts is not covered by this warranty. This warranty is applicable only to faucets purchased after December, 1995 and shall be effective from the date of purchase as shown on purchaser's receipt.

This warranty is extensive in that it covers replacement of all defective parts and finishes. However, damage due to installation error, product abuse, product misuse, or use of cleaners containing abrasives, alcohol or other organic solvents, whether performed by a contractor, service company, or yourself, are excluded from this warranty. Moen will not be responsible for labor charges and/or damage incurred in installation, repair or replacement, nor for any indirect, incidental or consequential damages, losses, injury or costs of any nature relating to this faucet. Except as provided by law, this warranty is in lieu of and excludes all other warranties, conditions and guarantees, whether expressed or implied, statutory or otherwise, including without restriction those of merchantability or of fitness for use.

Some states, provinces and nations do not allow the exclusion or limitation of incidental or consequential damages, so the above limitations or exclusions may not apply to you. This warranty gives you specific legal rights and you may also have other rights which vary from state to state, province to province, nation to nation. Moen will advise you of the procedure to follow in making warranty claims. Simply write to Moen Incorporated using the address below. Explain the defect and include proof of purchase and your name, address, area code and telephone number.

OPTIONAL DOCK MOUNTING WITH SCREWS

STEP A1:

Using a pencil, lightly trace a circle around the dock onto the wall or painters tape.

STEP A2:

Center the bracket within the marking. Mark the center of the left and right holes. Remove the bracket from the wall.

STEP A3:

For tile: use a 1/4" drill bit, not included, and drill holes on the marks. Insert the anchors into the holes.

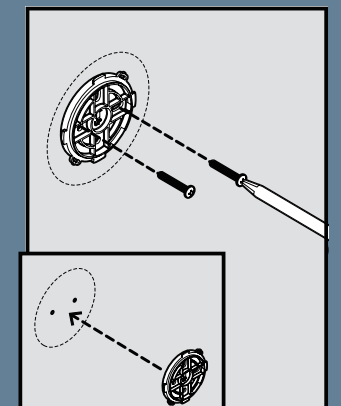
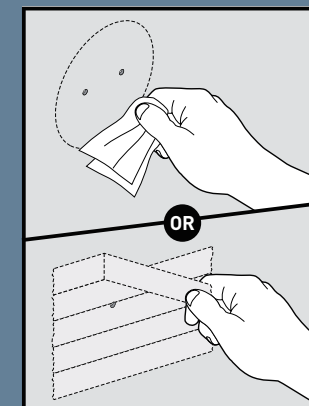
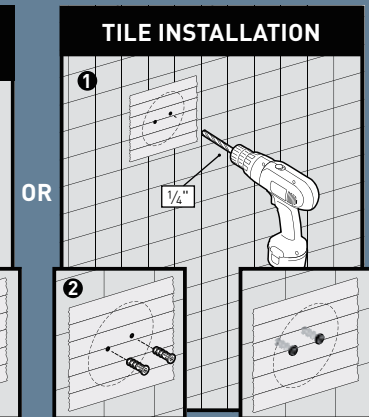
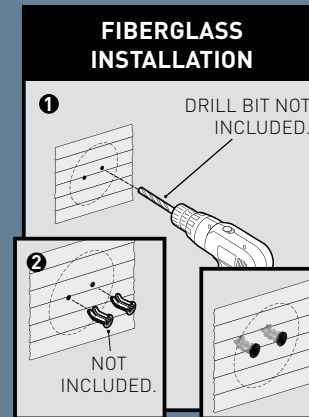
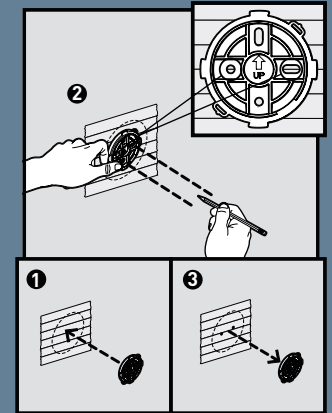
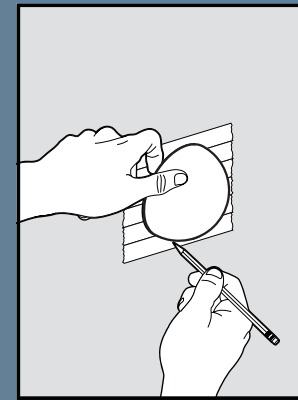
For fiberglass: Fiberglass anchors are not provided. Add fiberglass anchors per manufacturers instructions centered on the marks.

STEP A4:

Clean the wall of pencil marks or tape.

STEP A5:

Place the bracket on the wall and fasten using the screws.



OPTIONAL LOWER BRACKET MOUNTING WITH SCREWS

STEP B1:

Push the button on the top of the bracket to release the top of the bracket from the wall. Tilt the top toward you until the tube comes out of the adapter. Lift the bracket up, then pull off of the wall to remove. The lower bracket will remain on the wall.

STEP B2:

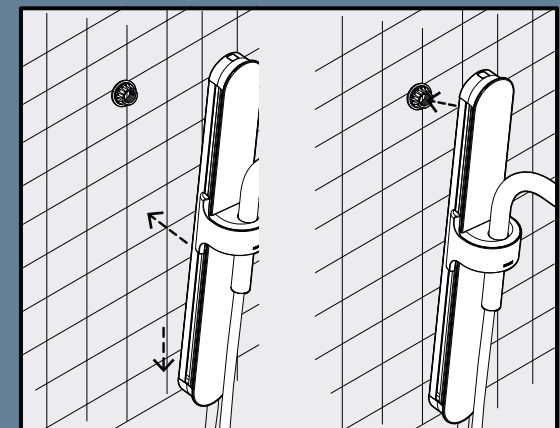
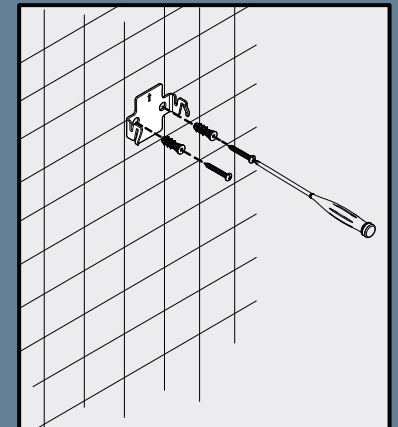
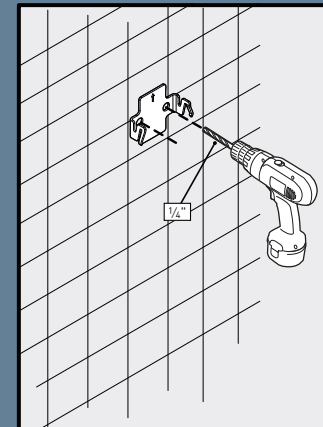
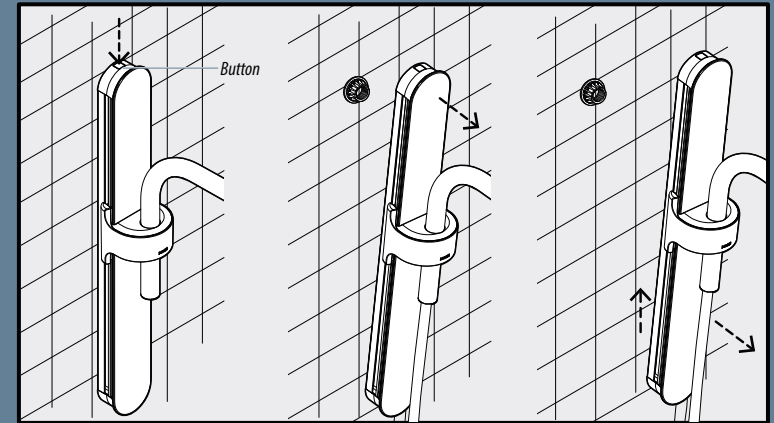
For tile: use a ¼" drill bit, and drill holes through the holes in the lower mounting bracket into the wall.

STEP B3:

For tile: use a ¼" drill bit, and drill holes on the marks. Insert the anchors into the holes. Insert the screws.

STEP B4:

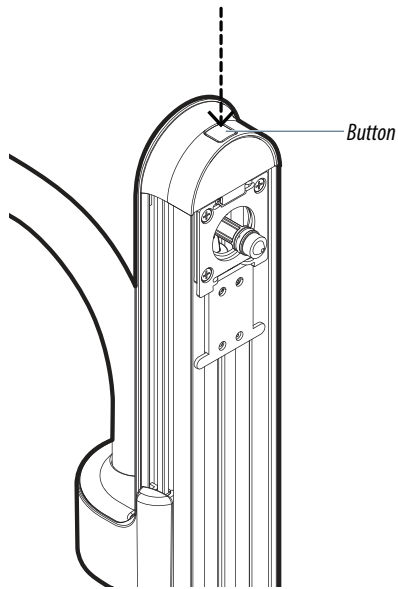
Line up the bottom of the bracket to reinstall, then pull down, and push the tube back into the adapter until you hear a "click".



MAINTENANCE/SERVICE

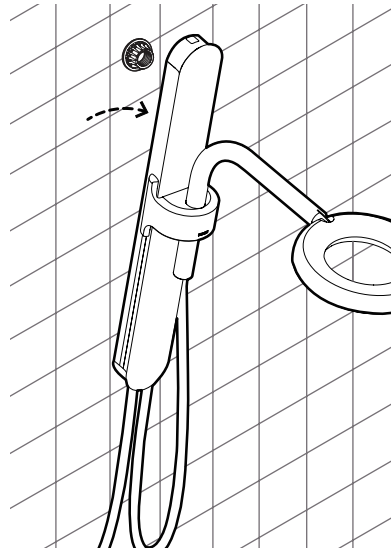
STEP 1:

Push down on the button at the top of the bracket.



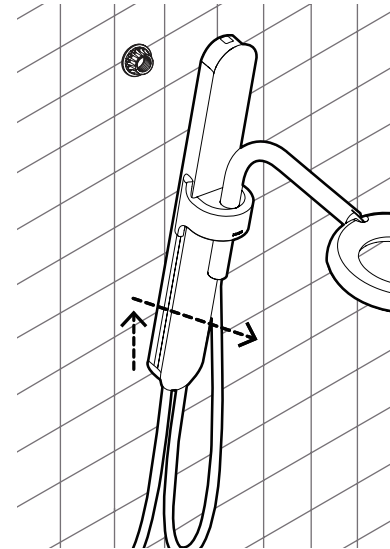
STEP 2:

Tilt the top of the bracket away from the wall until the inlet comes out of the adapter.



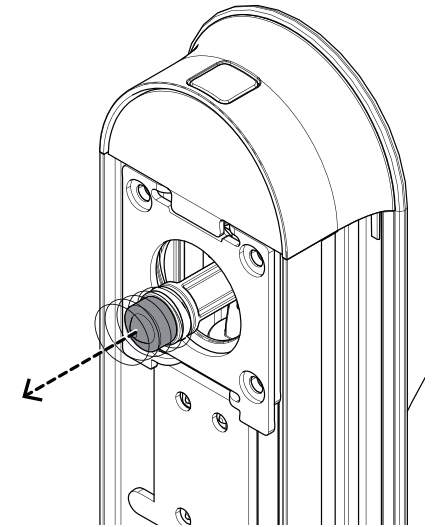
STEP 3:

Lift up until the lower bracket disengages, then pull the bracket away from the wall.



STEP 4:

Pull to remove the filter from the end of the inlet. Rinse loose debris off of the filter with water. For mineral buildup, soak in a vinegar solution until dissolved.

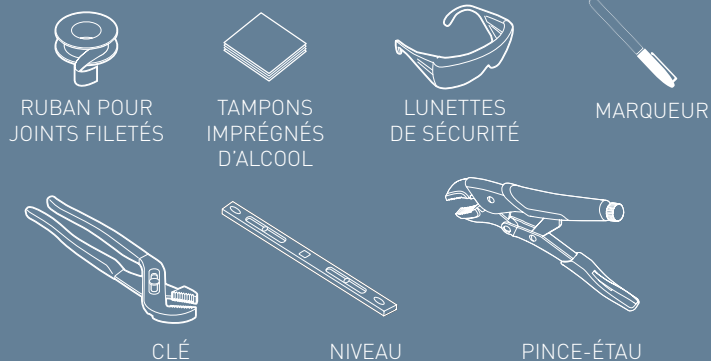


La douche spa **Nebia by Moen^{MC}**, qui vous fera vivre de nombreuses années de petits bonheurs sous la douche -s'installe rapidement. La caractéristique simple et intuitive d'enclenchement en un seul « clic » des pièces assure l'étanchéité des joints, et leur installation ne nécessite pas d'outils de plomberie compliqués.

Allons-y!

OUTILS UTILES

Par mesure de sécurité et pour faciliter l'installation, Moen recommande l'utilisation des outils ci-dessous.



Pour obtenir de l'aide concernant l'installation, rendez-vous au site moen.com/nebia (en anglais seulement); vous pourrez y visionner des vidéos d'installation ou obtenir de plus amples renseignements.

Veillez contacter Moen en premier lieu si vous souhaitez obtenir de l'aide concernant l'installation, s'il vous manque une pièce ou si vous avez besoin d'une pièce de remplacement.

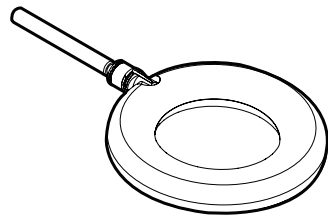
É.-U. : 1.800.BUY.MOEN (1.800.289.6636) | moen.com

CANADA : 1.800.465.6130 | www.moen.ca

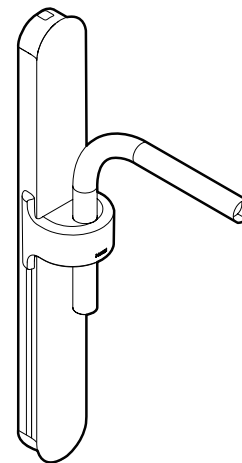
Veillez consigner ici le numéro d'article de votre produit pour consultation future _____

VOICI VOTRE DOUCHE NEBIA BY MOEN^{MC}

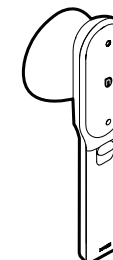
POMME DE DOUCHE JET DE PLUIE



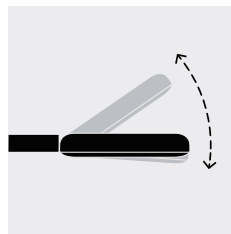
SUPPORT COULISSANT



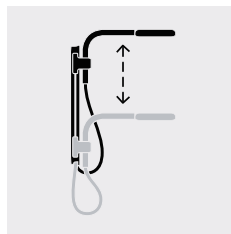
DOUCHE À MAIN ET SUPPORT MAGNÉTIQUE



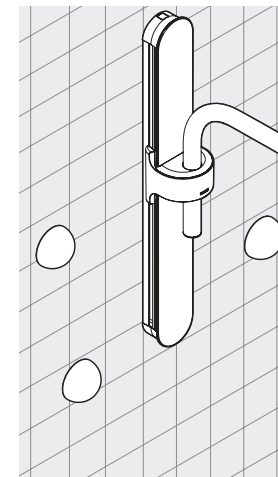
CARACTÉRISTIQUES DU PRODUIT



La douche Jet de pluie se déplace vers le haut et vers le bas.

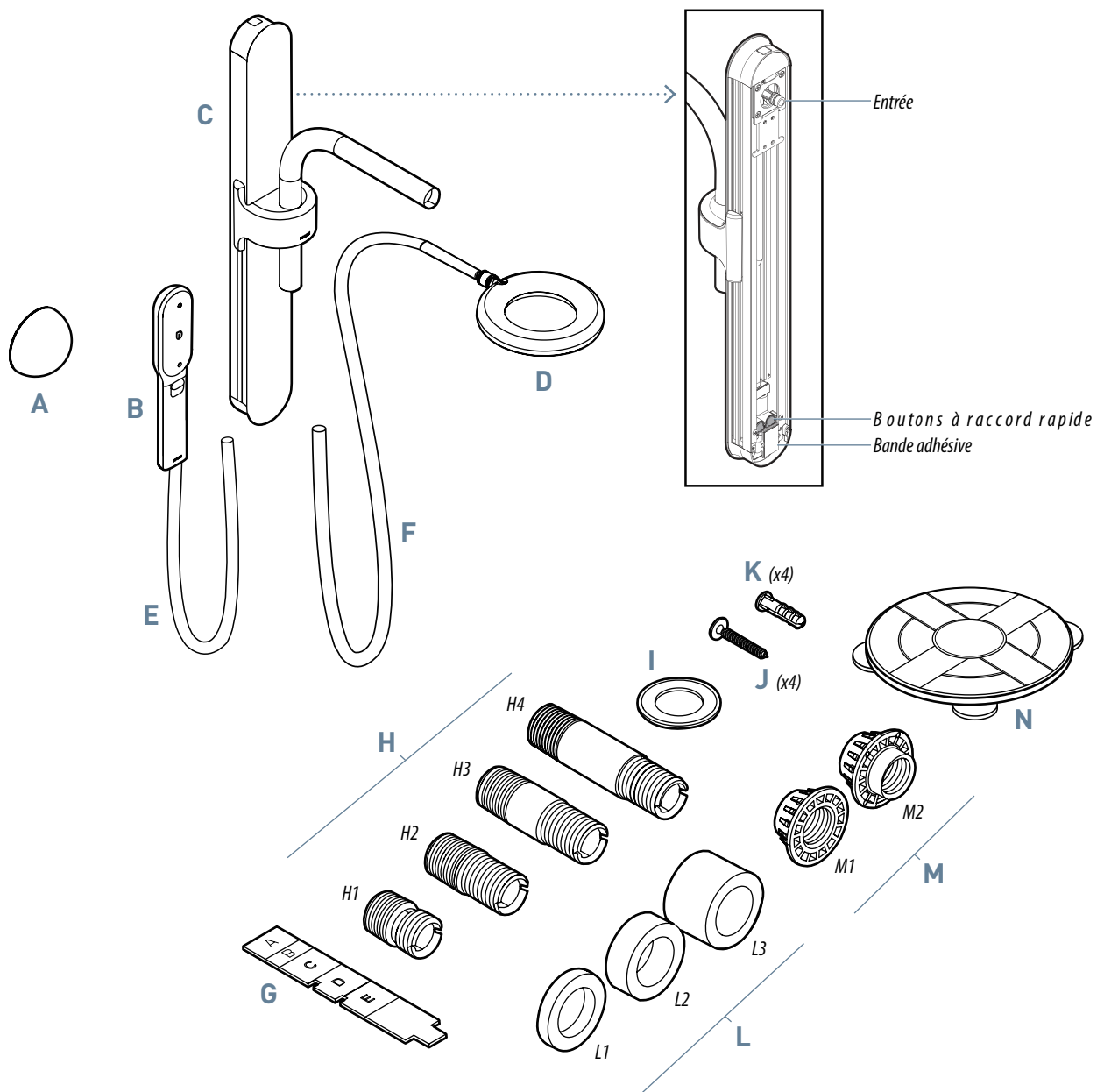


Bras coulissant pour un réglage de la hauteur sur 17 po.



Votre douche à main comprend un support magnétique que vous pouvez installer n'importe où sur la paroi de la douche. Vous pouvez même acheter des supports supplémentaires et les installer à diverses hauteurs, selon vos préférences personnelles, ou pour satisfaire différents utilisateurs.

COMPOSANTS ET PIÈCES DU PRODUIT À ASSEMBLER



COMPOSANTS DU PRODUIT

- A. Support magnétique
- B. Douche à main
- C. Support coulissant
- D. Pomme de douche Jet de pluie
- E. Tuyau de douche à main de 59 po
- F. Tuyau de raccord pour douche Jet de pluie

PIÈCES POUR L'ASSEMBLAGE

- G. Clé d'installation
- H. Adaptateurs (*Choisir le bon adaptateur après avoir mesuré la profondeur de la prise d'eau à l'étape 2. Consulter le tableau de la page 4.*)
- I. Joint d'étanchéité
- J. Vis pour paroi murale (4)*
- K. Dispositifs d'ancrage mural (4)*
- L. Espaceurs (*Pour une installation sur les parois de douche munies d'un rebord.*)
- M. Collier (*Choisir le bon collier après avoir mesuré la profondeur de la prise d'eau à l'étape 2. Consulter le tableau de la page 4.*)
- N. Support mural adhésif pour le support magnétique

**Quincaillerie servant à une installation permanente optionnelle pour utilisation commerciale. Non recommandée pour une utilisation résidentielle.*

REMARQUE : Il vous restera des pièces après l'installation du produit. Conservez-les pour usage ultérieur.

EXIGENCES EN MATIÈRE DE COMPATIBILITÉ

Pour installer la douche Nebia by Moen^{MC}, il vous faudra :

- Une température du chauffe-eau d'au moins 46 °C/115 °F
- Une pression d'eau d'au moins 20 psi/1,4 bar

ESPACES DE DÉGAGEMENT REQUIS

- La sortie d'eau doit se trouver dans une paroi, et non au plafond.
- La distance recommandée du plancher à la sortie d'eau doit être de 183 à 213 cm (72 à 84 po).
- Il doit y avoir un écart d'au moins 10 cm (4 po) entre la sortie d'eau et le plafond (A).
- Veiller à laisser un espace dégagé de 74 cm (29 po) (B) entre le bras de douche et la garniture/la commande de réglage de la température.
- Il doit y avoir un dégagement d'au moins 13 cm (5 po) entre le bras de douche et la paroi adjacente la plus près (C).

AUTRES

- La paroi doit être munie d'une prise de raccord de tuyau NPT de 1/2 po (ou BSPT de 1/2 po).
- La surface de la paroi ne doit pas être de l'ardoise.

PRÉPARATION DE L'INSTALLATION

ÉTAPE 1 :

Dévisser et retirer le bras de douche et la pomme de douche actuels du mur, en les tournant dans le sens antihoraire*. Ils vous seront devenus inutiles après l'installation de la douche Nebia by Moen^{MC}. Retirer ensuite la garniture/rosace du mur. Avant d'installer le nouveau produit, nettoyer toutes les parois et les surfaces.

*Au besoin, cette étape pourrait être la seule pour laquelle vous devrez utiliser une pince-étau ou une clé.

ÉTAPE 2 :

(Voir la page 2 pour y voir les lettres indiquées en caractères gras.) Utiliser l'outil (clé) d'installation (G) (qui ressemble à une petite règle) pour déterminer la profondeur de l'orifice d'où sortait votre ancien bras de douche. Insérer l'extrémité plate de la clé dans le trou, puis, au moyen de votre marqueur, faire une marque sur la clé à l'endroit où elle croise le bord de la paroi. Vérifier la lettre se trouvant dans la section où la marque a été effectuée : A, B, C, D ou E. Cette mesure servira à la sélection de l'adaptateur et du collier convenant à l'installation.

ÉTAPE 3 :

En se référant à la lettre établie à l'étape 2, prendre le bon adaptateur (H1, H2, H3 ou H4) (pièce en laiton ressemblant à un tuyau) et le collier (M1 ou M2) approprié (pièce en plastique noir en forme d'entonnoir). Voir le tableau ci-dessous. Des pièces de différentes dimensions se trouvent dans l'emballage. Vous n'utiliserez qu'une seule de chacune d'entre elles. Par exemple, si la marque se trouve dans la section de la clé d'installation comportant la lettre A, il vous faudra le collier court (M1) et l'adaptateur le plus court (H1).

ÉTAPE 3A : EN PRÉSENCE D'UN REBORD :

Si la base de la douche Nebia by Moen^{MC} chevauchera un rebord, comme un pourtour de baignoire décoratif, il faudra plutôt mesurer la profondeur du rebord. La lettre de la clé d'installation se trouvant alignée sur le rebord (et non la lettre se trouvant à l'endroit où la « règle » croise le mur) indiquera l'adaptateur et le collier à installer. Vous devrez ensuite choisir l'espaceur approprié pour combler l'espace entre le dos du collier et la paroi avant d'installer la douche Nebia by Moen^{MC}. Pour ce faire, il faut comparer la largeur du rebord avec celle des différents espaceurs fournis (L1, L2 ou L3), et choisir celui comblant le mieux l'espace.

ÉTAPE 4 :

Recouvrir les filets se trouvant sur la partie du plus faible diamètre de l'adaptateur avec quatre ou cinq couches de ruban pour joints filetés. Ensuite, visser l'adaptateur dans le mur, tout d'abord à la main. Reprendre la clé d'installation. Elle comporte des encoches sur l'un de ses côtés. Celles-ci s'insèrent facilement dans l'extrémité ouverte de l'adaptateur, ce qui crée un levier vous permettant de tourner l'adaptateur et de le visser complètement.

ÉTAPE 5 :

Prendre le collier sélectionné à l'étape 3, et glisser le joint d'étanchéité en caoutchouc (I) dans l'extrémité plate de l'adaptateur. Visser le collier sur le joint d'étanchéité/l'adaptateur jusqu'à ce que le joint d'étanchéité repose sur la paroi.

ÉTAPE 5A : EN PRÉSENCE D'UN REBORD :

Comme votre installation comporte un rebord, il vous faut utiliser l'espaceur sélectionné à l'étape 3 pour bien positionner le support Nebia by Moen^{MC}. Une fois le joint d'étanchéité placé sur l'adaptateur, insérer également l'espaceur sur l'adaptateur. Puis, visser le collier sur l'assemblage composé de l'espaceur/joint d'étanchéité/adaptateur, jusqu'à ce que le joint d'étanchéité repose sur la paroi.

INSTALLATION DU SUPPORT

ÉTAPE 6 :

La douche Nebia by Moen^{MC} demeurera solidement en place grâce à un adhésif à l'épreuve de l'eau*. Afin d'obtenir la meilleure adhérence possible, nettoyer les parois de la douche avec des tampons imprégnés d'alcool, puis bien les essuyer afin d'enlever tous résidus de savon. À l'étape 7, la face adhésive du support devra être exposée.

***Vis et dispositifs d'ancrage pour montage facultatif inclus. Voir les étapes de montage optionnel à la page 10.**

ÉTAPE 7 :

Il est maintenant temps d'installer la douche Nebia by Moen^{MC} sur le mur. Premièrement, bien s'assurer de la présence du filtre et du ressort avant l'installation. Ensuite, retirer la pellicule recouvrant la bande adhésive se trouvant à l'arrière du support coulissant. Prendre le support coulissant par sa partie supérieure, en veillant à ne pas coller prématurément la bande adhésive sur le mur. Insérer la prise d'eau se trouvant à l'arrière du support coulissant dans le collier installé plus tôt. Aucun vissage ou mouvement de rotation ne sont nécessaires. Continuer de pousser jusqu'à ce qu'un « clic » se fasse entendre. Si vous avez du mal à fixer la base en place, ou si vous n'entendez pas de « clic », éloignez la base de la paroi, dévissez le collier d'environ un quart de tour, puis essayez de nouveau.

ÉTAPE 8 :

L'alimentation en eau est maintenant raccordée. Il faut maintenant ajuster le support coulissant jusqu'à ce qu'il soit droit et bien à plat sur la paroi. Presser la surface adhésive contre la paroi pendant environ une (1) minute pour bien fixer le support. Afin d'obtenir une adhérence optimale, laisser sécher pendant 24 heures avant de prendre une douche.

INSTALLATION DE LA POMME DE DOUCHE JET DE PLUIE ET DU SUPPORT MAGNÉTIQUE DE LA DOUCHE À MAIN

ÉTAPE 9 :

Pour installer la pomme de douche jet de pluie, faire passer le tuyau de la pomme de douche complètement à travers le bras de douche. Pousser la pomme de douche jet de pluie dans le bras de douche jusqu'à ce qu'un « clic » se fasse entendre.

Conseil utile : Faire passer le bras de douche vers le bas dans la base afin qu'il soit plus facile à saisir.

ÉTAPE 10 :

Retirer et jeter le capuchon protecteur sur trouvant à l'extrémité de plastique du tuyau de la pomme de douche jet de pluie. Insérer cette extrémité dans l'une des prises à raccord rapide situées à la base du support coulissant. Si on prévoit mettre le support de la douche à main à droite du support coulissant, installer le tuyau de la douche jet de pluie dans la prise de gauche. Si on prévoit mettre le support de la douche à main à gauche du support de montage, installer le tuyau de la pomme de douche jet de pluie dans la prise de droite. Pousser le tuyau jusqu'à ce qu'un « clic » se fasse entendre, puis tirer légèrement sur celui-ci pour vérifier la solidité du raccord.

ÉTAPE 11 :

Votre douche à main comprend un support magnétique que vous pouvez installer n'importe où sur la paroi de la douche. Vous pouvez même acheter des supports supplémentaires et les installer à diverses hauteurs, selon vos préférences personnelles, ou pour satisfaire différents utilisateurs. Après avoir choisi l'endroit où installer le support, nettoyer les parois de la douche avec des tampons imprégnés d'alcool, puis bien les essuyer afin d'enlever tous résidus de savon.

Conseil utile : Afin d'obtenir une couverture de douche optimale, il faut utiliser la douche à main Nebia by Moen comme un vaporisateur corporel, et l'installer à la hauteur de la taille ou du torse, à 20 cm (8 po) à gauche ou à droite du support de montage.

ÉTAPE 12 :

Vis et dispositifs d'ancrage pour montage facultatif Voir les étapes de montage facultatif à la page 9 avant d'installer la surface adhésive du support. Retirer la pellicule recouvrant la surface adhésive, qui se trouve à l'arrière du support mural du support magnétique. Coller le support mural sur le mur, puis appuyer fermement sur celui-ci pendant environ une (1) minute. Afin d'obtenir une adhérence optimale, laisser sécher pendant 24 heures avant de glisser le support magnétique dans le support mural. Faire glisser le support magnétique sur le support mural, puis le tourner jusqu'à ce qu'un « clic » se fasse entendre.

INSTALLATION DE LA DOUCHE À MAIN

ÉTAPE 13 :

Le tuyau de la douche à main a une extrémité en métal, et l'autre extrémité en plastique. Retirer et jeter le capuchon protecteur sur trouvant sur l'extrémité de plastique du tuyau. Insérer cette extrémité en plastique dans l'autre prise à raccord rapide située à la base du support de montage. Pousser le tuyau jusqu'à ce qu'un « clic » se fasse entendre, puis tirer légèrement sur celui-ci pour vérifier la solidité du raccord.

ÉTAPE 14 :

Pour connecter la douche à main au tuyau, retirer le capuchon protecteur se trouvant à l'extrémité en métal du tuyau. Insérer cette extrémité en métal au bas de la douche à main. Tirer légèrement sur celle-ci pour vérifier la solidité du raccord.

ÉTAPE 15 :

Mettre la douche à main sur le support magnétique. Celui-ci retiendra la douche à main, et cette dernière pourra facilement pivoter dans l'angle qui vous convient le mieux.

ÉTAPE 16 :

Enregistrer votre douche Nebia by Moen^{MC} à l'adresse www.moen.com/register (en anglais seulement).

INSTRUCTIONS DE NETTOYAGE

Finis en Acier inoxydable Spot Resist^{MC} et Nickel brossé Spot Resist^{MC} : Moen recommande de nettoyer le fini Spot Resist comme suit : utiliser un savon doux, bien rincer à l'eau chaude et l'essuyer avec un chiffon doux et propre. Ne jamais utiliser de produits de nettoyage contenant des abrasifs (y compris des éponges abrasives ou de la laine d'acier), de l'ammoniac, des agents de blanchiment ou de l'hypochlorite de sodium, des solvants organiques (p. ex. de l'alcool) ou d'autres produits chimiques puissants (p. ex. les produits qui dissolvent le calcaire) pour nettoyer le fini Spot Resist, car ils risquent d'endommager le fini. La non-conformité à ces directives de nettoyage risque d'annuler la garantie de Moen.

GARANTIE À VIE LIMITÉE

Les produits Moen sont fabriqués selon les normes de qualité et de main-d'œuvre les plus élevées. Moen garantit à la personne ayant acheté le robinet originalement, aussi longtemps qu'elle est propriétaire du domicile où a été installé le robinet (la « Période de garantie » pour propriétaires), que ce

robinet sera libre de toute fuite ou d'égouttement pendant son usage normal et que toutes les pièces et tous les finis de ce robinet ne présenteront aucun défaut de matériel et de main-d'œuvre en usine. Tout autre achat (y compris les achats à des fins industrielles, commerciales et d'affaires) sera garanti pendant cinq (5) ans à compter de la date d'achat originale (la « Période de garantie » pour les non-propriétaires).

Si ce robinet fuit ou dégoutte durant la « Période de garantie », Moen fournira GRATUITEMENT les pièces de rechange requises pour remettre le robinet en parfait état et remplacera GRATUITEMENT toute pièce ou tout fini dont le matériel, la fabrication ou la main-d'œuvre, lors d'une installation, d'un usage et d'un service normaux, s'avère défectueux. On peut obtenir les pièces de rechange en composant le 1-800-465-6130 ou en écrivant à l'adresse indiquée ci-dessous. L'original du reçu de caisse du consommateur initial ayant acheté ce produit doit accompagner toute réclamation. Les défauts ou les dommages causés par l'utilisation de pièces non fournies par Moen ne sont pas couverts par cette garantie. Cette garantie s'applique uniquement aux robinets achetés après décembre 1995 et entre en vigueur à compter de la date d'achat indiquée sur le reçu de caisse du client.

Cette garantie est vaste, car elle couvre le remplacement de toute pièce ou de tout fini défectueux. Cependant, les dommages causés par une erreur d'installation, un abus du produit, une mauvaise utilisation du produit, l'immersion de l'appareil de filtration ou l'utilisation de nettoyeurs contenant des agents abrasifs, de l'alcool ou des solvants organiques, qu'ils soient utilisés par un entrepreneur, une entreprise de service ou le consommateur, sont exclus de cette garantie. Moen n'est pas responsable des frais de main-d'œuvre, ni de tous dommages survenus durant l'installation, la réparation ou le remplacement, ni des dommages indirects ou consécutifs, des pertes, des blessures ou des coûts connexes à ce robinet. Sauf lorsque prévu par la loi, cette garantie remplace et exclut toutes les autres garanties et conditions, qu'elles soient exprimées ou sous-entendues, obligatoires ou autres, y compris sans restriction, celle de commercialisation ou d'aptitude d'utilisation.

Certains pays, États et certaines provinces, ne permettent aucune exclusion, ni limitation suite aux dommages indirects ou consécutifs. Cette garantie accorde des droits juridiques et il est possible que d'autres droits soient applicables selon l'État, la province ou le pays. Moen avisera le consommateur

de la procédure à suivre pour soumettre une réclamation. Il suffit d'écrire à Moen incorporée à l'adresse indiquée ci-dessous. Expliquer le défaut et inclure une preuve d'achat, inscrire son nom, adresse ainsi que l'indicatif régional et numéro de téléphone.

MONTAGE DU SUPPORT FACULTATIF AVEC DES VIS

ÉTAPE A1 :

Au moyen d'un crayon, tracer un cercle, sans trop appuyer sur le crayon, autour du support magnétique, sur le mur ou du ruban-cache.

ÉTAPE A2 :

Centrer le support mural dans le cercle tracé. Faire une marque au centre des trous gauche et droite du support. Enlever le support du mur.

ÉTAPE A3 :

Installation sur une surface de carrelage : Percer des trous sur les marques au moyen d'une mèche de perçage de ¼ po (non incluse). Insérer les dispositifs d'ancrage dans les trous.

Installation sur une surface de fibre de verre : L'emballage ne contient pas de dispositifs d'ancrage pour une surface de fibre de verre. Installer les dispositifs d'ancrage pour les surfaces de fibre de verre, conformément aux instructions de leur fabricant, après les avoir centrés sur les marques.

ÉTAPE A4 :

Effacer les marques de crayon se trouvant sur le mur ou retirer le ruban-cache.

Étape A5 :

Placer le support mural sur le mur, et le fixer à l'aide des vis.

MONTAGE FACULTATIF - PARTIE INFÉRIEURE DU SUPPORT AVEC VIS

ÉTAPE B1 :

Presser le bouton situé sur le dessus du support coulissant pour décrocher la partie supérieure de celui-ci du mur. Incliner la partie supérieure du support vers soi, jusqu'à ce que le tuyau sorte de l'adaptateur. Soulever le support, puis le retirer du mur. La partie inférieure du support demeurera sur le mur.

ÉTAPE B2 :

Installation sur une surface de carrelage : Au moyen d'une mèche de perçage de ¼ po, percer des trous dans les trous de la partie inférieure du support

ÉTAPE B3 :

Installation sur une surface de carrelage : Percer des trous dans les marques au moyen d'une mèche de perçage de ¼ po. Insérer les dispositifs d'ancrage dans les trous. Insérer les vis.

ÉTAPE B4 :

Aligner la partie supérieure du support coulissant sur la partie inférieure de celui-ci, puis le glisser vers le bas. Remettre le tuyau dans l'adaptateur, puis pousser jusqu'à ce qu'un « clic » se fasse entendre.

ENTRETIEN

ÉTAPE 1 :

Presser le bouton situé sur le dessus du support coulissant.

ÉTAPE 2 :

Incliner la partie supérieure du support vers soi jusqu'à ce que la prise sorte de l'adaptateur.

ÉTAPE 3 :

Pousser le support coulissant vers le haut, jusqu'à ce qu'il se décroche de la partie inférieure, puis l'éloigner du mur.

ÉTAPE 4 :

Retirer le filtre situé à l'extrémité de la prise. Rincer à grande eau les débris se trouvant dans le filtre. Pour nettoyer les accumulations minérales, faire tremper le filtre dans une solution de vinaigre jusqu'à la dissolution complète des dépôts.

Nebia by Moen™ brinda una maravillosa experiencia de ducha de espá que usted disfrutará por muchos años, y no tomará mucho tiempo para instalar. Las características simples e intuitivas de "encaje en conjunto" garantizan sellos herméticos sin herramientas complicadas de plomería.

Comencemos.

IMPLEMENTOS ÚTILES

Para seguridad y facilidad de instalación, Moen recomienda el uso de estos implementos útiles.



CINTA PARA SELLAR ROSCAS



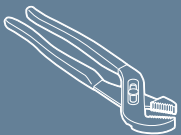
ALMOHADILLAS CON ALCOHOL



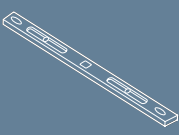
GAFAS DE SEGURIDAD



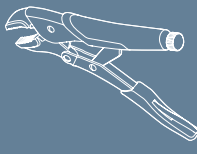
MARCADOR PERMANENTE



LLAVE DE TUBO



NIVELADOR



PINZAS DE PRESIÓN

Para ayuda con la instalación, visite moen.com/nebia para videos de demostración y más información.

Contacte con Moen primero para ayuda con la instalación, piezas faltantes o reemplazos.

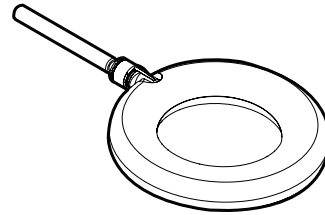
EE.UU.: 1.800.BUY.MOEN (1.800.289.6636) | moen.com

CANADA : 1.800.465.6130 | www.moen.ca

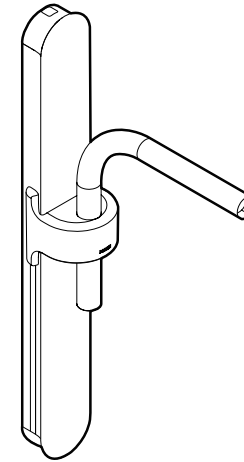
Registre el número de su producto aquí para referencia futura: _____

CONOZCA SU DUCHA SPA NEBIA DE MOEN

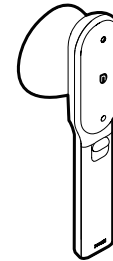
CABEZAL DE DUCHA



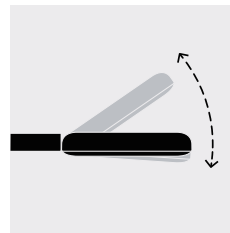
SOPORTE DESLIZANTE



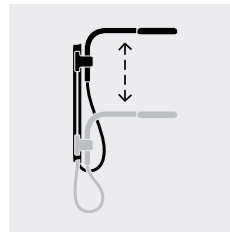
DUCHA DE MANO Y ACOPLE MAGNÉTICO



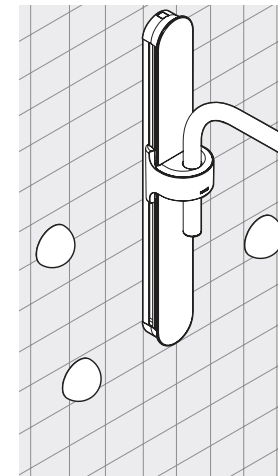
CARACTERÍSTICAS DEL PRODUCTO



El cabezal de ducha se inclina hacia arriba y hacia abajo.

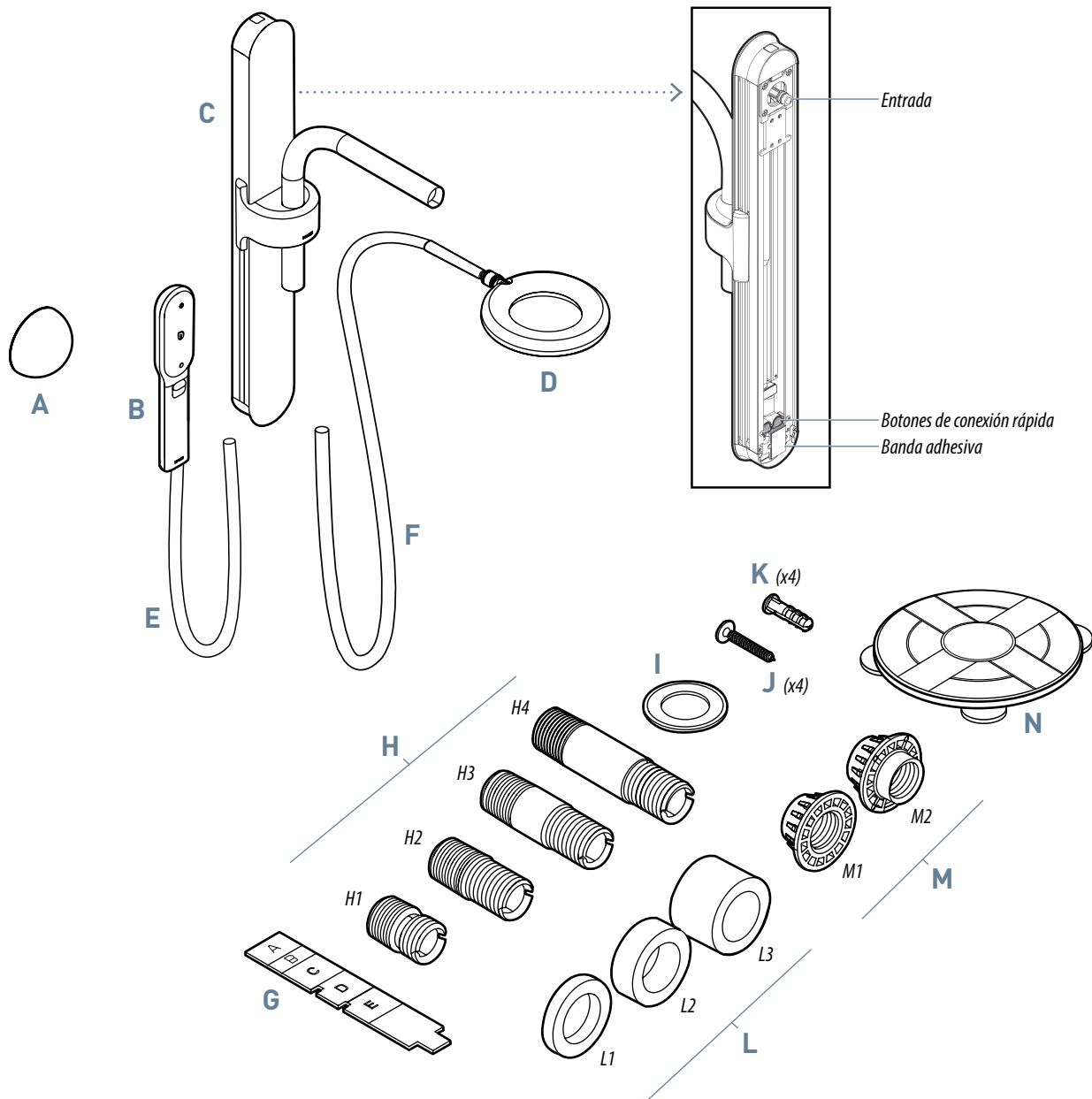


Brazo deslizante para un rango de altura de 17" (43 cm).



Su ducha de mano incluye un acoplamiento magnético que usted puede colocar donde desee en la pared de su ducha. Usted puede incluso comprar acoplamientos magnéticos adicionales y colocarlos a diversas alturas, dependiendo de sus preferencias para ducharse o para adaptarla a diferentes usuarios.

COMPONENTES Y PIEZAS DEL PRODUCTO PARA ENSAMBLAJE



COMPONENTES DEL PRODUCTO

- A. Acople magnético
- B. Ducha de mano
- C. Soporte
- D. Ducha tipo lluvia
- E. Manguera de ducha de mano de 59" (1.8 m)
- F. Manguera de conexión a la duchacha

PIEZAS PARA ENSAMBLAJE

- G. Llave de instalación
- H. Adaptadores (*Elija el adaptador correcto después de medir la profundidad de la entrada en el paso 2. Consulte la tabla en la página 4.*)
- I. Empaquetadura
- J. Tornillos de pared (x4)*
- K. Tarugos de pared (x4)*
- L. Espaciadores (Para instalación con las paredes de ducha que tengan un reborde.)
- M. Anillas (*Elija la anilla correcta después de medir la profundidad de la entrada en el paso 2. Consulte la tabla en la página 4*)
- N. Soporte de pared adhesivo con acople magnético

* Herrajes de instalación permanente opcionales para uso comercial. No se recomienda para uso en el hogar.

TENGA EN CUENTA: Habrá piezas restantes después de la instalación. Conserve todas las piezas para uso futuro.

REQUISITOS DE COMPATIBILIDAD

Para instalar Nebia de Moen, necesitará:

- Temperatura del calentador de agua de al menos 115°F/46°C
- Presión de agua de al menos 20psi/1.4bar

ESPACIADO

- La salida del agua debe estar en un a pared (no en el techo).
- La distancia recomendada entre el piso y la salida de agua es de 72" a 84" (183-213cm).
- La distancia libre mínima desde la salida de agua al techo es de 4" (10cm) (A).
- Proporcione 29" (74cm) (B) de espacio despejado entre el brazo de la ducha y la parte superior del reborde/controles de temperatura.
- La distancia libre mínima de la pared lateral más cercana es de 5" (13cm) (C).

OTRA INFORMACIÓN

- Su pared debe tener una conexión de rosca de tubo de 1/2" NPT o de 1/2" BSPT (esto es típico en la mayoría de los baños).
- La superficie de la pared no puede ser de pizarra.

PREPARACIÓN PARA LA INSTALACIÓN

PASO 1:

Desatornille y retire el brazo de ducha y el cabezal de ducha viejos de la pared girándolos en sentido antihorario.* Con Nebia de Moen, no los necesitará más. Seguidamente, retire la moldura/placa de pared. Antes de instalar su nuevo producto, limpie todas las paredes y superficies.

*Si es necesario, este puede ser el único paso donde use pinzas de presión o una llave de tubo.

PASO 2:

(Consulte la página 2 para letras de referencia en negrilla.)

Use la llave de instalación (G) (luce como una pequeña regla) para determinar la profundidad del agujero donde el brazo de su ducha solía estar. Inserte el extremo plano de la llave en el agujero y use un marcador permanente para marcar donde se une con el borde de la pared. Mire la letra que ha marcado en la llave: A, B, C, D o E. Esta medida será crítica para elegir el adaptador y la anilla correctos para su instalación.

PASO 3:

Usando la letra que marcó en el paso 2 como guía, tome el adaptador correcto (H1, H2, H3 o H4) (pieza de latón similar a un tubo y la anilla) (M1 o M2) (pieza negra de plástico en forma

de embudo). Consulte la tabla a continuación. Usted solo utilizará una de cada una. Por ejemplo, si marcó la letra E en su llave de instalación, necesitará la anilla corta (M1) y el adaptador más corto (H1).

PASO 3A: SI TIENE UN SALIENTE

Si su base Nebia de Moen se superpondrá a un saliente en su pared, tal como un borde de tubo decorativo, marque en su lugar esa profundidad externa. La llave de instalación que se alinea con el saliente (no con la pared) indicará la combinación correcta de adaptador y anilla. Seguidamente, debe elegir el espaciador correcto para llenar la separación entre la parte posterior de su anilla y la pared antes de instalar su Nebia de Moen. Para hacer esto, compare su saliente con los anchos de los diferentes espaciadores proporcionados (L1, L2 o L3) y seleccione el que mejor rellene la separación.

PASO 4 :

Envuelva las roscas en el lado cónico del adaptador con cuatro o cinco capas de cinta para sellar roscas. Seguidamente, atornille el adaptador en la pared, primero con la mano. Saque la llave de instalación de nuevo. Verá muescas en un lado. Estas fácilmente se deslizan sobre el extremo abierto del adaptador, creando apalancamiento para que usted pueda girar el adaptador y atornillarlo completamente.

PASO 5:

Tome la anilla que seleccionó en el paso 3 y deslice la empaquetadura de goma (I) sobre el extremo plano del adaptador. Atornille la anilla en la empaquetadura/adaptador hasta que la empaquetadura descansa a ras contra la pared.

PASO 5A: SI TIENE UN SALIENTE

Debido a que tiene un saliente, necesitará utilizar el espaciador que seleccionó en el Paso 3 para colocar correctamente el soporte Nebia de Moen. Una vez que haya colocado la empaquetadura sobre el adaptador, inserte el espaciador sobre el adaptador también. Seguidamente, atornille la anilla sobre el combo del espaciador/empaquetadura/adaptador hasta que la empaquetadura se presione firmemente contra la pared.

INSTALACIÓN DEL SOPORTE

PASO 6:

Su Nebia de Moen estará asegurada en su lugar con un adhesivo a prueba de agua.* Para lograr la mejor unión, limpie las paredes de la ducha con almohadillas con alcohol y seque

muy bien, retirando todo el residuo de jabón. En el paso 7, expondrá el adhesivo.

***Se suministran tornillos de montaje y tarugos opcionales. Consulte los pasos opcionales en la página 10.**

PASO 7:

Ahora es el momento de conectar Nebia de Moen a la pared. Primero, revise que tenga la malla del filtro y el resorte antes de instalar. Luego, retire el revestimiento del adhesivo en la parte posterior del soporte. Lleve el soporte hacia la parte superior, teniendo cuidado de no adherir todavía la banda adhesiva a la pared. Presione la toma de entrada en la parte posterior dentro de la anilla que instaló anteriormente. No es necesario atornillar ni torcer. Continúe presionando hasta que escuche un "clic". Si tiene problemas para que la base haga clic en su lugar o si no escucha el "clic", retire la base de la pared, desatornille la anilla apróximadamente 1/4 de giro e intente de nuevo.

PASO 8:

La conexión de agua se ha finalizado. Ahora ajuste el soporte hasta que quede recto y nivelado. Presione el adhesivo contra la pared durante 1 minuto para asegurar. Para óptima resistencia del adhesivo, deje que se complete el curado por 24 horas antes de ducharse.

INSTALACIÓN DEL CABEZAL DE DUCHA TIPO LLUVIA Y DEL ACOPLE MAGNÉTICO DE LA DUCHA DE MANO

PASO 9:

Para instalar el cabezal de ducha tipo lluvia, introduzca la manguera de la ducha completamente a través del brazo de la ducha. Presione el cabezal de ducha tipo lluvia en el brazo hasta que escuche un clic.

Consejo útil: Deslice el brazo de la ducha hacia abajo en la base para que sea fácil de alcanzar.

PASO 10:

Retire y deseche la cubierta protectora del extremo plástico de la manguera de la ducha tipo lluvia. Inserte este extremo en uno de los tapones de conexión rápida en la parte inferior del soporte. Si planea colocar el acople de la ducha de mano a la derecha del soporte, instale la manguera de la ducha a la izquierda. Si planea colocar el acople de la ducha de mano a la izquierda del soporte, instale la manguera de la ducha a la derecha. Presione hasta que escuche un "clic" y hale suavemente para probar la conexión.

PASO 11:

Su ducha de mano incluye un acoplamiento magnético que puede colocar donde desee en la pared de su ducha. Puede comprar acoplamientos magnéticos adicionales y colocarlos a diversas alturas, dependiendo de sus preferencias para ducharse o adaptarla a diferentes usuarios. Una vez que haya seleccionado una ubicación, limpie las paredes de la ducha con almohadillas con alcohol y seque muy bien, retirando todo el residuo de jabón..

Consejo útil: Para una mejor experiencia de cobertura total, use la ducha de mano Nebia de Moen como rocío corporal e instálela a la altura de la cadera o del torso, 8" (20 cm) a la izquierda o derecha del soporte.

PASO 12:

Se suministran tornillos de montaje y tarugos opcionales. Consulte los pasos opcionales en la página 9 antes de instalar el adhesivo de acople. Desprenda el revestimiento del adhesivo del acople magnético del soporte de pared. Adhiéralo a la pared y presiónelo firmemente en su lugar durante aproximadamente 1 minuto. Para una óptima resistencia del adhesivo, permita que se complete el curado por 24 horas antes de deslizar el acople en el soporte. Deslice el acople sobre el soporte y gírelo hasta que escuche un "clic".

INSTALACIÓN DE LA DUCHA DE MANO

PASO 13:

La ducha de mano tiene un extremo metálico y uno plástico. Retire y deseche la cubierta protectora del extremo plástico de la manguera. Inserte el extremo plástico en el tarugo de conexión rápida restante en la parte inferior del soporte. Presione hasta que escuche un "clic" y hale suavemente para probar la conexión.

PASO 14:

Conecte la ducha de mano a la manguera retirando la cubierta protectora del terminal metálico de la manguera. Insértela en la parte inferior de la ducha de mano. Hale suavemente para probar la conexión.

PASO 15:

Coloque la ducha de mano en el acople. Se sujetará magnéticamente, y puede girarlo fácilmente al ángulo que prefiera.

PASO 16:

Registre su ducha Nebia de Moen en www.moen.com/register.

INSTRUCCIONES DE LIMPIEZA

Acabados en níquel cepillado Spot Resist™ y acero inoxidable Spot Resist™: Moen recomienda limpiar el acabado Spot Resist con un jabón suave, enjuagarlo cuidadosamente con agua tibia y secarlo con un paño limpio y suave. Nunca utilice limpiadores que contengan sustancias abrasivas (incluyendo las esponjas abrasivas o la lana de acero), amoníaco, blanqueadores o hipoclorito sódico, orgánicos (por ejemplo alcoholes) u otros productos químicos fuertes (por ejemplo removedores de calcio y sarro) para limpiar el acabado Spot Resist, ya que pueden dañarlo. La inobservancia de estas instrucciones de limpieza podría anular la garantía de Moen.

GARANTÍA LIMITADA DE POR VIDA

Los productos Moen han sido fabricados bajo los más altos estándares de calidad y mano de obra. Moen garantiza al comprador consumidor original por tanto tiempo como el comprador posea su vivienda (el "Período de Garantía" de los propietarios), que este grifo no goteará durante el uso normal y todas las piezas y acabados de este grifo estarán libres de defectos de material y manufactura. Para todos los otros compradores (incluyendo, pero sin limitarse a, compradores con fines industriales, comerciales o de negocio) están garantizados por un período de 5 años desde la fecha original de compra (el "Período de Garantía" para quienes no sean propietarios).

Si este grifo muestra alguna fuga o goteo durante el Período de Garantía, Moen proporcionará las piezas necesarias SIN CARGO ALGUNO, para restituir el buen funcionamiento y REEMPLAZARÁ SIN CARGO ALGUNO cualquier pieza o acabado que resulte defectuoso en material y manufactura, bajo condiciones normales de instalación, uso y servicio. Se pueden obtener piezas de reemplazo llamando al 1-800-289-6636 (Canadá 1-800-465-6130), o escribiendo a la dirección que se indica. El comprobante de compra (recibo original de venta) del comprador consumidor original debe acompañar todos los reclamos en garantía. Los defectos o daños causados por el uso de piezas distintas de las genuinas de Moen no están amparados por esta garantía. Esta garantía se aplica solo a los grifos adquiridos después de diciembre de 1995 y será efectiva

desde la fecha de compra como se muestra en el recibo del comprador.

Esta garantía se amplía hasta amparar el reemplazo de todas las piezas y acabados. Sin embargo, el daño ocasionado por error de instalación, abuso del producto o uso inadecuado del producto o el uso de limpiadores que contengan abrasivos, alcohol u otros solventes orgánicos, realizados por un contratista, compañía de servicio o usted mismo, se excluyen de esta garantía. Moen no será responsable por costos de mano de obra y/o daños incurridos en la instalación, reparación o reemplazo, ni por cualquier daño incidental, indirecto o resultante, pérdidas, lesiones o costos de cualquier naturaleza relacionados con este grifo. Salvo como lo prevé la ley, esta garantía es en lugar de y excluye todas las otras garantías, condiciones y garantías por escrito, bien sean expresas, implícitas, o estatutarias o de otro modo, incluyendo, sin restricción aquellas de comercialización o adecuación para el uso.

Algunos estados y provincias no permiten la exclusión o limitación de los daños incidentales o derivados de modo que las limitaciones o exclusiones anteriores puede que no apliquen en su caso. Esta garantía le otorga derechos legales específicos y usted también puede tener otros derechos que varían de un estado otro, de una provincia a otra y de una nación a otra. Moen le informará el procedimiento a seguir para los reclamos en garantía. Simplemente escriba a Moen Incorporated utilizando la dirección que se indica más abajo. Explique el defecto e incluya la prueba de compra, su nombre, dirección, código de área y número de teléfono.

MONTAJE OPCIONAL DEL ACOPLER CON TORNILLOS

PASO A1:

Con un lápiz, trace un círculo ligero alrededor del acople sobre la pared o la cinta del pintor.

PASO A2:

Centre el soporte dentro de la marca. Marque el centro de los agujeros de la izquierda y la derecha. Retire el soporte de la pared.

PASO A3:

Para baldosas: Use una broca de taladro de 1/4" y perforo agujeros en las marcas. Inserte los tarugos para fibra de vidrio en los agujeros.

Para fibra de vidrio: No se proporcionan tarugos para fibra de vidrio. Incorpore los tarugos centrados en las marcas según las instrucciones del fabricante.

PASO A4:

Limpie las marcas de lápiz o la cinta de la pared.

PASO A5:

Coloque el soporte en la pared y asegure utilizando los tornillos.

SOPORTE INFERIOR DE MONTAJE OPCIONAL CON TORNILLOS

PASO B1:

Presione el botón en la parte superior del soporte para liberar de la pared la parte superior del soporte. Incline la parte superior hacia usted hasta que el tubo salga del adaptador. Levante el soporte y despréndalo de la pared para retirarlo. El soporte inferior permanecerá en la pared.

PASO B2:

Para baldosas: Use una broca de 1/4" y perforo agujeros a través de los agujeros en el soporte de montaje inferior en la pared.

PASO B3:

Para baldosas: Use una broca de taladro de 1/4" y perforo agujeros en las marcas. Inserte los tarugos en los agujeros. Inserte los tornillos.

PASO B4:

Alinee la parte inferior del soporte para reinstalarlo, hale hacia abajo y presione el tubo hacia atrás en el adaptador hasta que escuche un "clic".

MANTENIMIENTO/SERVICIO

PASO 1:

Presione hacia abajo el botón en la parte superior del soporte.

PASO 2:

Incline la parte superior del soporte, alejándolo de la pared, hasta que la toma salga del adaptador.

PASO 3:

Levante hasta que el soporte inferior se desconecte y seguidamente hale el soporte de la pared.

PASO 4:

Hale para retirar el filtro del extremo de la toma. Enjuague los residuos sueltos del filtro con agua. Para la acumulación de minerales, remoje en una solución de vinagre hasta que se disuelva.



nebia
BY MOEN™



INS10946

THIS BOOKLET WAS PRODUCED USING
SUSTAINABLE GREEN PRINTING PRACTICES.

