

PRO-SPEC™ BUILDER SERIES

3260TFS LH & RH BATHTUB




60" x 32" x 18-1/2"

FEATURES

- High-gloss, Acrylic construction with fiberglass reinforcement for strength and rigidity
- Pre-leveled legs for easy installation
- Integrated Tile Flange and Skirt
- Smooth front skirt with universal design appeal
- Available in Left-hand Drain and Right-hand Drain
- Alcove Installation
- One-year Warranty
- Available in White



OPTIONS

| MODEL # | DESCRIPTION | CODES/STANDARDS |
|---------|-----------------------------------|---|
| TIP1335 | Tip Toe Drain - Polished Chrome |  |
| TIP1336 | Tip Toe Drain - Everbrass (PVD) | |
| TIP1337 | Tip Toe Drain - Brushed Nickel | |
| TIP1338 | Tip Toe Drain - Oil Rubbed Bronze | |


PRO-SPEC™ BUILDER SERIES

3260TFS LH & RH BATHTUB



60" x 32" x 18-1/2"

SPECIFICATIONS

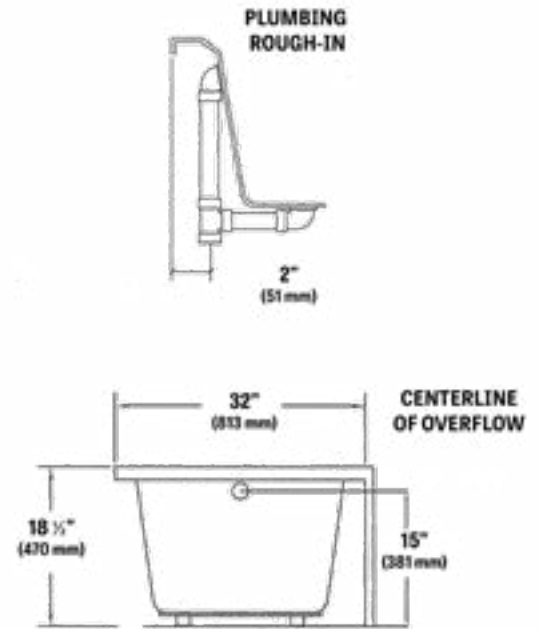
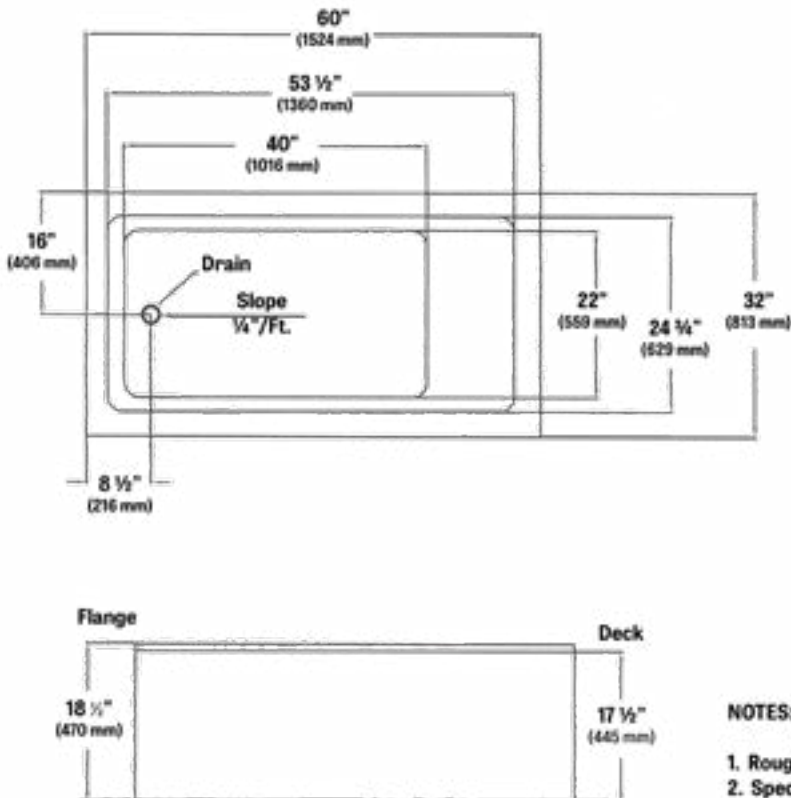
| MODEL # | DESCRIPTION | CODES/STANDARDS |
|---------|--------------------|---|
| 6649 | 3260TFS LH BATHTUB |  |
| 6650 | 3260TFS RH BATHTUB | |

| | |
|----------------|----------------------------------|
| DIMENSIONS | 60" x 32" x 18-1/2" |
| MATERIAL | Acrylic, fiberglass reinforced |
| WATER CAPACITY | 60 gals. max, (227 liters) |
| WARRANTY | Acrylic shell: One-Year Warranty |

| | |
|-----------------|--|
| FLOOR LOADING | 47 lbs./sq.ft. (229 kg/m ²) |
| WEIGHT | 60 lbs. (34 kg) |
| SHIPPING WEIGHT | 105 lbs. (52 kg) |

TECHNICAL INFORMATION

Note: these dimensions are nominal and subject to change without notice.



NOTES:

1. Rough-in measurements may vary 1/4" (+/-).
2. Specify RH (Right hand drain) or LH (Left hand drain) upon ordering.
3. 55" backrest slope.