

1311RS

Baltic™

Elongated Front, Rear Spud, Flush Valve Toilet



Features

- Designed for commercial and industrial applications
- 1.28* or 1.6 gpf water consumption
(*when using the proper 1.28 flushometer)
- Elongated front
- 1-1/2" rear spud for flush valve installation
(accommodates many brands of flush valves)
- 10" rough-in
- 2" glazed trapway
- The Mansfield® limited lifetime warranty
- Available in White





Elongated Front



Model 1311RS
Less toilet seat,
flushometer and supply

Components



Model #	Description	Codes/Standards
1311RS	Elongated front flush valve toilet bowl. Less toilet seat, flush valve and supply. Specify color.	 

1311RS Baltic™

Elongated Front, Rear Spud, Flush Valve Toilet

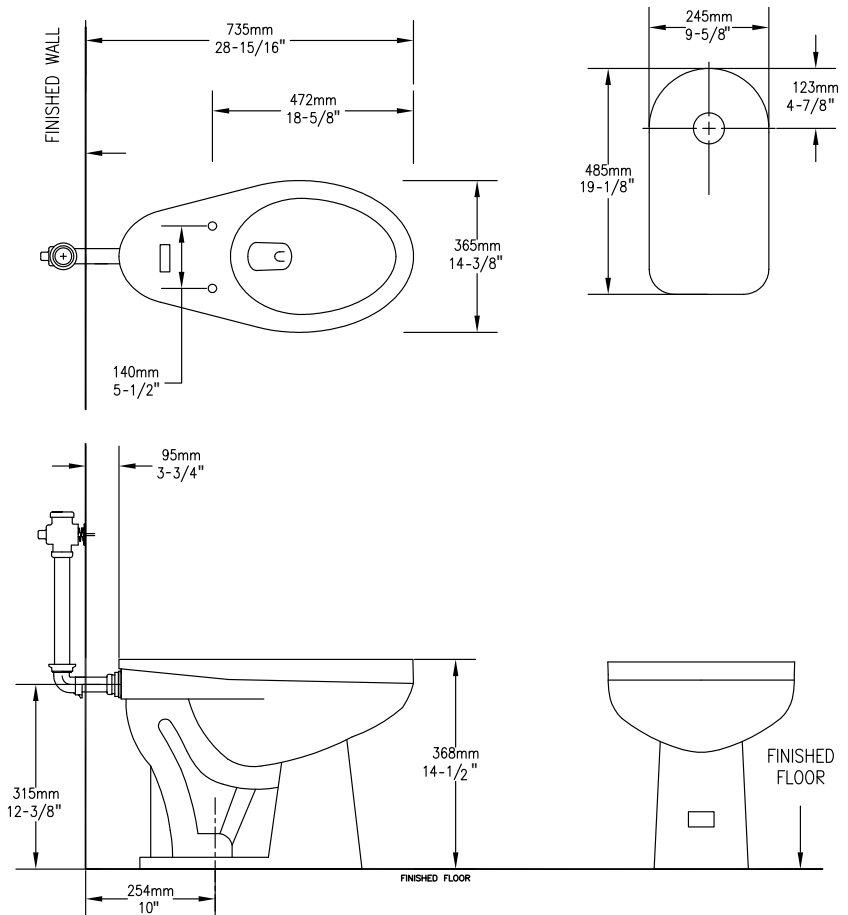


Specifications

Model #	Description	Codes/Standards
1311RS	Elongated front, 1.28* or 1.6 flush valve toilet (*when using the proper 1.28 flushometer)	 

Specification	Description	Specification	Description
Material	Vitreous China	Trap Diameter	2"
Water Pressure Range	20 to 80 PSI	Trap Seal	2-1/2"
Water Usage	1.28* or 1.6 gpf / 4.86 or 6.0 lpf	Rough-in	10"
Water Surface Area	9-3/4" X 11-3/4"	Shipping Weight	Model 1311RS- 53 lbs. (24 kg)
MaP Rating	1000 grams	Warranty	Vitreous China - Limited Lifetime Tank Trim - Five Year Limited

Technical Information



See our complete line of acrylic and vitreous china bathroom fixtures, plastic tank trim and plumbing products.

These dimensions are nominal and subject to change without notice.

Fixture performance and specifications meet or exceed ASME A112.19.2-2008/CSA B45.1-08 standards, and other state and local codes.