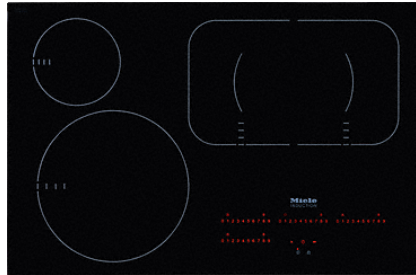


KM 6365

Induction Cooktop

with PowerFlex cooking area for maximum versatility and performance.



- Quick selection using numerical linear keybanks - Direct control plus
- Modern design - 30 3/8 (770)Inch wide for flush-mounted installation
- Versatile and fast - 4 cooking zones incl. 1 PowerFlex area
- Shortest heating-up times - TwinBooster
- Food always cooked to perfection - keeping warm function

EAN: 4002515472927 / material number: 09775900

Type of heating	
Fuel type	Induction
Construction type	
Independent of oven	•
Design	
Elegant glass ceramic surface	•
Ceramic surface color	Black
Print design	LightPrint
Flush-mounted installation	•
Ring features	
No. of rings	4
PowerFlex cooking zone	
Number	2
Size in inches (mm)	Ø 150 – 230
Max. rating in W	2200
Max. booster rating in W	3100
Max. TwinBooster rating in W	3850
Ring	
Position	front left
Type	Variable cooking zone
Size in inches (mm)	Ø 180-280
Max. rating in W	2500
Max. booster rating in W	3100
Position	rear left
Type	Variable cooking zone
Size in inches (mm)	Ø 100-180
Max. rating in W	1450
Max. booster rating in W	1900
Position	Rear centre right
Type	PowerFlex bridge
Size in inches (mm)	230x390
Max. rating in W	3550
Max. booster rating in W	5000
Max. TwinBooster rating in W	7700
Control panel	
Operation via touchpad sensors	Multiple direct dial
Display color	Red
Pan/Pan-size sensors	•
Stop & Go function	•
Minute minder	•
Automatic switch-off for all rings	•
AutoBoost	•
Keep-warm function	•
Cleaning convenience	
Easy to clean ceramic surface	•

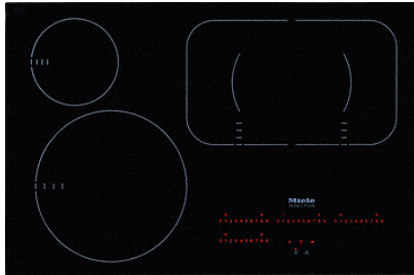
More information at www.MieleUSA.com

For further information please see next page...

KM 6365

Induction Cooktop

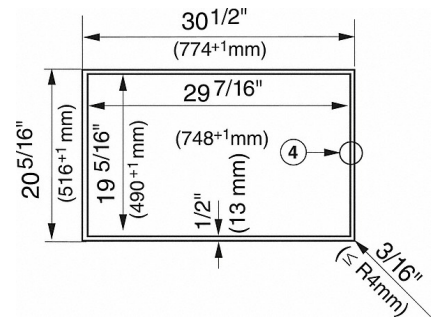
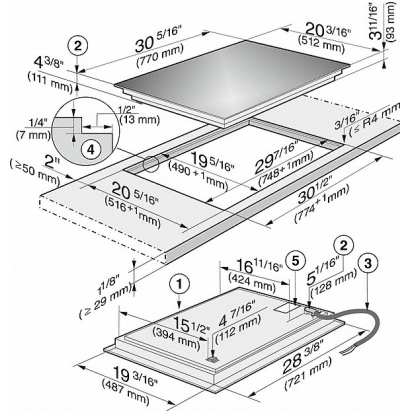
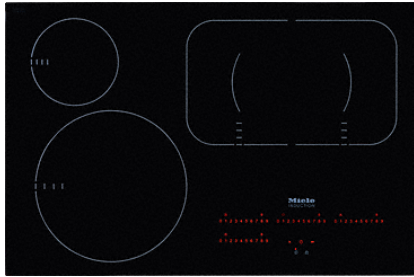
with PowerFlex cooking area for maximum versatility and performance.



Safety	
Safety cut-out	•
Lock function	•
System lock	•
Overheating protection	•
Residual heat indicator	•
Technical data	
Dimensions in in. (width)	30 3/8 (770)
Dimensions (height) in in.(mm)	4 7/8 (121)
Built-in height with mains connection box in in.(mm)	5 1/8 (128)
Dimensions (depth) in in.(mm)	20 1/4 (512)
Internal cutout dimensions in in. (width) with flush installation	748
Internal cutout dimensions in in. (depth) with flush installation	490
External cutout dimensions in in. (width) with flush installation	774
External cutout dimensions in in. (depth) with flush installation	516
Weight in lbs. (kg)	46 (21)
Total connected load in kW	7.7
Standard accessories	
Connection wire	•

KM 6365

Induction Cooktop
with PowerFlex cooking area for maximum versatility and performance.

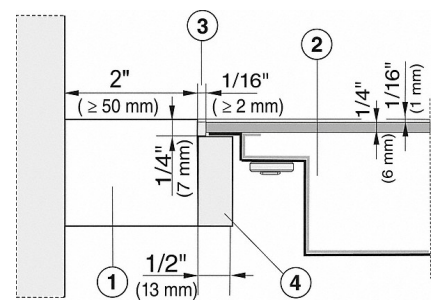
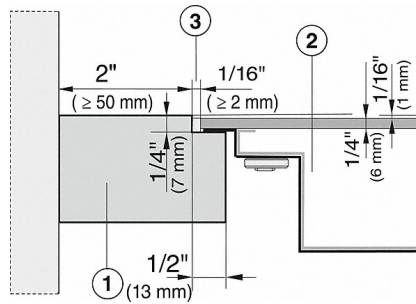


KM 6365 (Installation drawing)

KM 6365 (Installation drawing)

- 1) Front
- 2) Casing depth
- 3) Flexible metal Extension hose L = 47 1/4" (1200 mm)
- 4) Stepped cut-out
- 5) Data plate

- 4) Wooden frame 1/2" / 13 mm (not supplied with appliance)



KM 6365 (Installation drawing)

KM 6365 (Installation drawing)

- 1) Worktop
- 2) Hob
- 3) Width of gap

- 1) Worktop
- 2) Hob
- 3) Width of gap
- 4) Wooden frame 1/2" / 13 mm (not supplied with appliance)