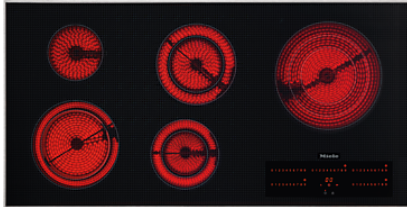


KM 5880 240V

Electric cooktop

in maximum width for the best possible cooking and user convenience.



- Quick selection using numerical linear keybanks - Direct control plus
- Attractive design - 42 5/8 (1,080)Inch wide with stainless steel frame
- Versatile - 5 cooking zones
- Convenient - Auto heat-up for every cooking zone
- Safe - residual heat indicator for every cooking zone

EAN: 4002514866710 / material number: 07821780

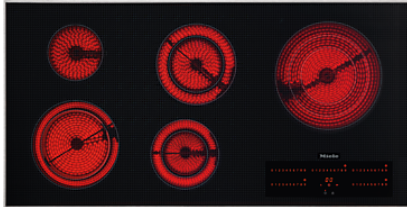
<b>Type of heating</b>	
Fuel type	Electrical
<b>Construction type</b>	
Independent of oven	•
<b>Design</b>	
Elegant glass ceramic surface	•
Ceramic surface color	Black
Print design	Basalt grey decor
All-round stainless steel frame	•
Proud-mounted installation	•
<b>Ring features</b>	
No. of rings	5
<b>Ring</b>	
Position	front left
Type	Variable cooking zone
Size in inches (mm)	Ø 180 / Ø 230
Max. rating in W	1600/2500
Position	rear left
Type	Single-circuit ring
Size in inches (mm)	Ø 145
Max. rating in W	1200
Position	rear center
Type	Variable cooking zone
Size in inches (mm)	145/210 mm
Max. rating in W	1100/2400
Position	rear right
Type	Variable cooking zone
Size in inches (mm)	Ø 145 / Ø 210 / Ø 270
Max. rating in W	1100/2150/3100
Position	front center
Type	Variable cooking zone
Size in inches (mm)	Ø 120 / Ø 180
Max. rating in W	700/1800
<b>Control panel</b>	
Operation via touchpad sensors	Direct Control Plus
Display color	Red
Stop & Go function	•
Extended ring area	•
Minute minder	•
Automatic switch-off for all rings	•
AutoBoost	•
<b>Cleaning convenience</b>	
Easy to clean ceramic surface	•
<b>Safety</b>	
Safety cut-out	•
Lock function	•
System lock	•
Overheating protection	•
Residual heat indicator	•

More information at [www.MieleUSA.com](http://www.MieleUSA.com)

For further information please see next page...

KM 5880 240V

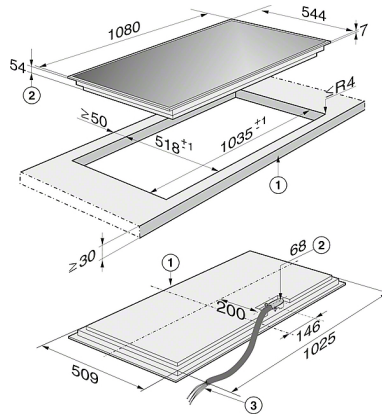
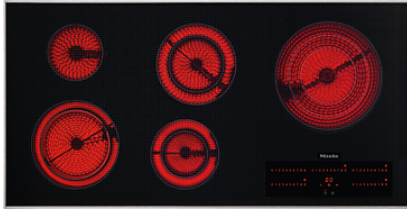
Electric cooktop  
in maximum width for the best possible cooking and user convenience.



<b>Technical data</b>	
Dimensions in in. (width)	42 5/8 (1,080)
Dimensions (height) in in.(mm)	2 1/2 (62)
Built-in height with mains connection box in in.(mm)	2 3/4 (67)
Dimensions (depth) in in.(mm)	21 1/2 (544)
Cutout dimensions in in. (width) with proud-mounted installation	40 3/4 (1,035)
Cutout dimensions in in. (depth) with proud-mounted installation	20 1/2 (518)
Weight in lbs. (kg)	46 (21)
Total connected load in kW	11.0
Power cord length in m	4 (1.4)
<b>Standard accessories</b>	
Razor-blade scraper	•
Connection wire	•

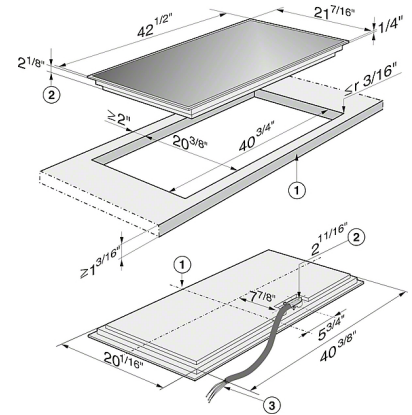
KM 5880 240V

Electric cooktop  
in maximum width for the best possible cooking and user convenience.



KM 5880 (Installation drawing)

1. Front
2. Building-in depth
3. Flexible metal hose, L = 1200 mm



KM 5880 (Installation drawing)

1. Front
2. Building-in depth
3. Flexible metal hose, L = 47 1/4"