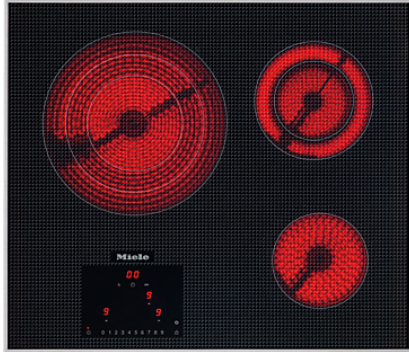


KM 5820 240V

Electric cooktop

With 3 cooking zones for maximum convenience at an attractive entry level price.



- Intuitive selection via numerical linear keybank - Direct control
- Attractive design - 24 3/4 (626)Inch wide with stainless steel frame
- Versatile - 3 cooking zones
- Convenient - Auto heat-up for every cooking zone
- Safe - residual heat indicator for every cooking zone

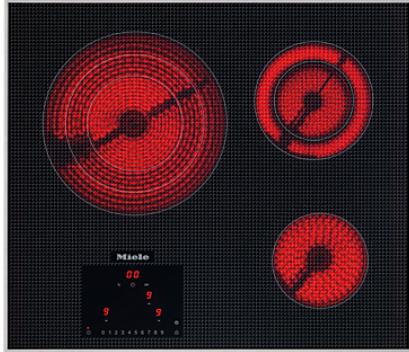
EAN: 4002514866659 / material number: 07821720

Type of heating	
Fuel type	Electrical
Construction type	
Independent of oven	•
Design	
Elegant glass ceramic surface	•
Ceramic surface color	Black
Print design	Basalt grey decor
All-round stainless steel frame	•
Proud-mounted installation	•
Ring features	
No. of rings	3
Ring	
Position	left centre
Type	Variable cooking zone
Size in inches (mm)	Ø 145 / Ø 210 / Ø 270
Max. rating in W	1100/2150/3100
Position	rear right
Type	Variable cooking zone
Size in inches (mm)	Ø 120 / Ø 180
Max. rating in W	700/1800
Position	front right
Type	Single-circuit ring
Size in inches (mm)	145 mm
Max. rating in W	1200
Control panel	
Operation via touchpad sensors	Direct selection
Display color	Red
Stop & Go function	•
Extended ring area	•
Minute minder	•
Automatic switch-off for all rings	•
AutoBoost	•
Cleaning convenience	
Easy to clean ceramic surface	•
Safety	
Safety cut-out	•
Lock function	•
System lock	•
Overheating protection	•
Residual heat indicator	•

KM 5820 240V

Electric cooktop

With 3 cooking zones for maximum convenience at an attractive entry level price.

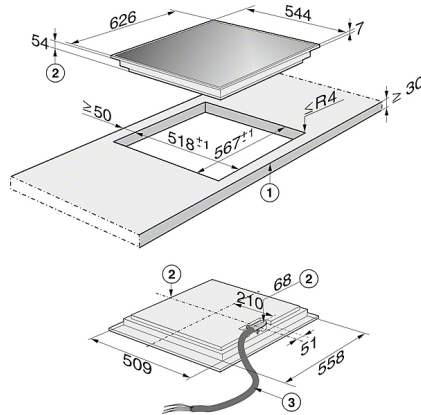
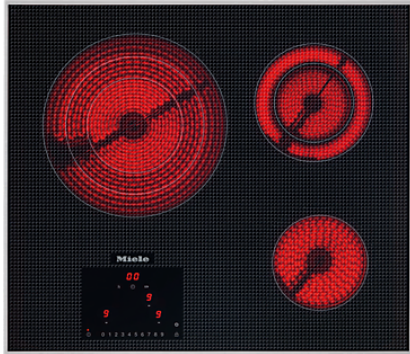


Technical data	
Dimensions in in. (width)	24 3/4 (626)
Dimensions (height) in in.(mm)	2 1/2 (62)
Built-in height with mains connection box in in.(mm)	2 3/4 (67)
Dimensions (depth) in in.(mm)	21 1/2 (544)
Cutout dimensions in in. (width) with proud-mounted installation	22 3/8 (567)
Cutout dimensions in in. (depth) with proud-mounted installation	20 1/2 (518)
Weight in lbs. (kg)	26 (12)
Total connected load in kW	6.1
Power cord length in m	4 (1.4)
Standard accessories	
Razor-blade scraper	•
Connection wire	•

KM 5820 240V

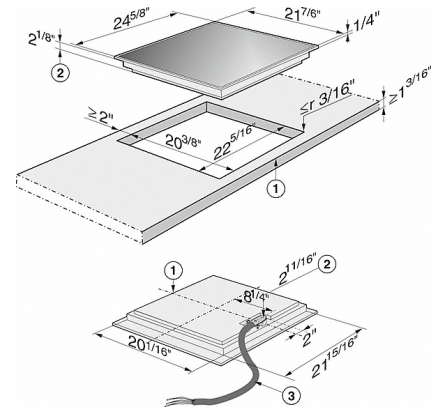
Electric cooktop

With 3 cooking zones for maximum convenience at an attractive entry level price.



KM 5820 (Installation drawing)

1. Front
2. Building-in depth
3. Flexible metal hose, L = 1200 mm



KM 5820 (Installation drawing)

1. Front
2. Building-in depth
3. Flexible metal hose, L = 47 1/4"