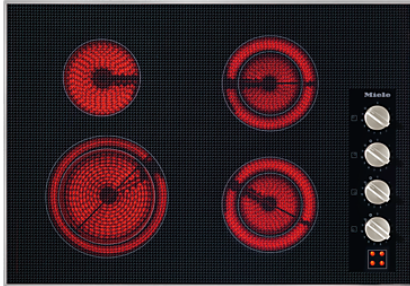


KM 5624 240V

Electric cooktop
with a width of 30 5/8 (775) Inch for ultra-convenient cooking.



- Easy and direct controls - operation via knob controls
- Attractive design - 30 5/8 (775) Inch wide with stainless steel frame
- Versatile - 4 cooking zones
- Safe - residual heat indicator for every cooking zone

EAN: 4002514865911 / material number: 07821680

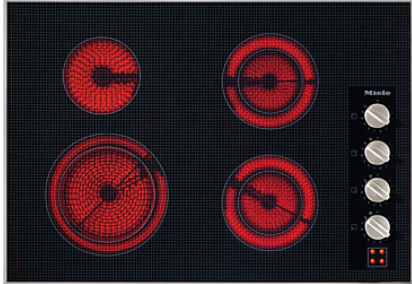
Type of heating	
Fuel type	Electrical
Construction type	
Independent of oven	•
Design	
Elegant glass ceramic surface	•
Ceramic surface color	Black
Print design	Basalt grey decor
All-round stainless steel frame	•
Proud-mounted installation	•
Ring features	
No. of rings	4
Ring	
Position	front left
Type	Variable cooking zone
Size in inches (mm)	Ø 180 / Ø 230
Max. rating in W	1600/2500
Position	rear left
Type	Single-circuit ring
Size in inches (mm)	Ø 145
Max. rating in W	1200
Position	rear right
Type	Variable cooking zone
Size in inches (mm)	120/180 mm
Max. rating in W	700/1800
Position	front right
Type	Variable cooking zone
Size in inches (mm)	Ø 120 / Ø 180
Max. rating in W	700/1800
Control panel	
Operation via knobs	•
Display color	Red
Extended ring area	•
Efficiency and sustainability	
Residual heat utilization	•
Cleaning convenience	
Easy to clean ceramic surface	•
Safety	
Overheating protection	•
Residual heat indicator	•
Technical data	
Dimensions in in. (width)	30 5/8 (775)
Dimensions (height) in in.(mm)	3 1/4 (81)
Built-in height with mains connection box in in.(mm)	3 (75)
Dimensions (depth) in in.(mm)	21 1/2 (544)
Cutout dimensions in in. (width) with proud-mounted installation	28 5/8 (724)
Cutout dimensions in in. (depth) with proud-mounted installation	20 1/2 (518)
Weight in lbs. (kg)	35 (16)
Total connected load in kW	7.3
Power cord length in m	4 (1.4)

More information at www.MieleUSA.com

For further information please see next page...

KM 5624 240V

Electric cooktop
with a width of 30 5/8 (775) Inch for ultra-convenient cooking.

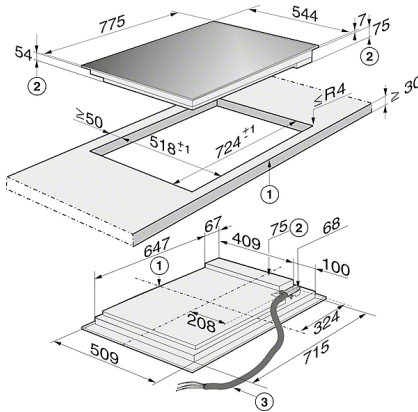
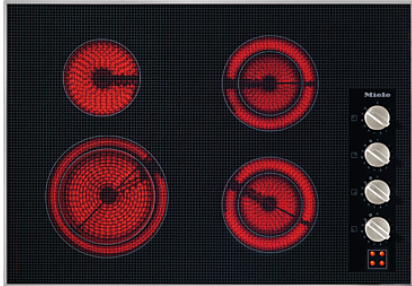


Standard accessories

Razor-blade scraper	•
Connection wire	•

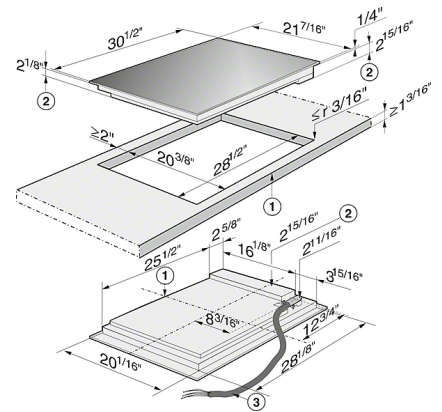
KM 5624 240V

Electric cooktop
with a width of 30 5/8 (775) Inch for ultra-convenient cooking.



KM 5624 (Installation drawing)

1. Front
2. Building-in depth
3. Flexible metal hose, L = 1200 mm



KM 5624 (Installation drawing)

1. Front
2. Building-in depth
3. Flexible metal hose, L = 47 1/4"