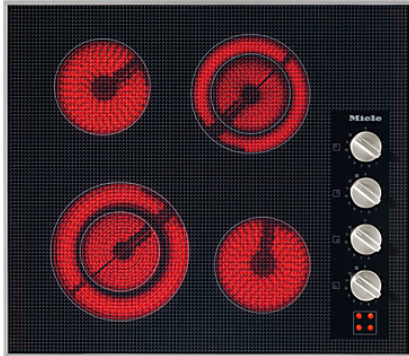


KM 5621 208V

Electric cooktop

with four cooking zones and direct rotary dial controls for maximum convenience.



- Easy and direct controls - operation via knob controls
- Attractive design - 24 3/4 (626)Inch wide with stainless steel frame
- Versatile - 4 cooking zones
- Safe - residual heat indicator for every cooking zone

EAN: 4002514865904 / material number: 07821670

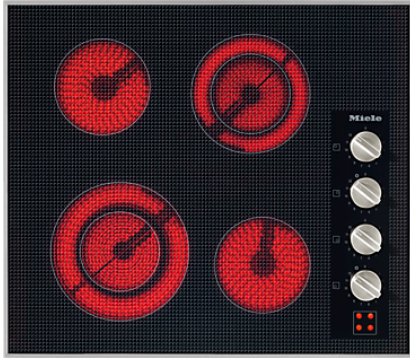
|  |                       |
|--|-----------------------|
| <b>Type of heating</b>   |                       |
| Fuel type  | Electrical            |
| <b>Construction type</b>   |                       |
| Independent of oven  | •                     |
| <b>Design</b>  |                       |
| Elegant glass ceramic surface                                    | •                     |
| Ceramic surface color  | Black                 |
| Print design   | Basalt grey decor     |
| All-round stainless steel frame                                  | •                     |
| Proud-mounted installation                                       | •                     |
| <b>Ring features</b>   |                       |
| No. of rings   | 4                     |
| <b>Ring</b>  |                       |
| Position   | front left            |
| Type   | Variable cooking zone |
| Size in inches (mm)  | Ø 120 / Ø 210         |
| Max. rating in W   | 900/2400              |
| Position   | rear left             |
| Type   | Single-circuit ring   |
| Size in inches (mm)  | Ø 145                 |
| Max. rating in W   | 1200                  |
| Position   | rear right            |
| Type   | Variable cooking zone |
| Size in inches (mm)  | 120/180 mm            |
| Max. rating in W   | 700/1800              |
| Position   | front right           |
| Type   | Single-circuit ring   |
| Size in inches (mm)  | Ø 145                 |
| Max. rating in W   | 1200                  |
| <b>Control panel</b>   |                       |
| Operation via knobs  | •                     |
| Display color  | Red                   |
| Extended ring area   | •                     |
| <b>Efficiency and sustainability</b>                             |                       |
| Residual heat utilization  | •                     |
| <b>Cleaning convenience</b>                                      |                       |
| Easy to clean ceramic surface                                    | •                     |
| <b>Safety</b>  |                       |
| Overheating protection   | •                     |
| Residual heat indicator  | •                     |
| <b>Technical data</b>  |                       |
| Dimensions in in. (width)  | 24 3/4 (626)          |
| Dimensions (height) in in.(mm)                                   | 3 1/4 (81)            |
| Built-in height with mains connection box in in.(mm)             | 3 (75)                |
| Dimensions (depth) in in.(mm)                                    | 21 1/2 (544)          |
| Cutout dimensions in in. (width) with proud-mounted installation | 22 3/8 (567)          |
| Cutout dimensions in in. (depth) with proud-mounted installation | 20 1/2 (518)          |
| Weight in lbs. (kg)  | 28 (13)               |
| Total connected load in kW                                       | 6.6                   |
| Power cord length in m   | 4 (1.4)               |

More information at [www.MieleUSA.com](http://www.MieleUSA.com)

For further information please see next page...

KM 5621 208V

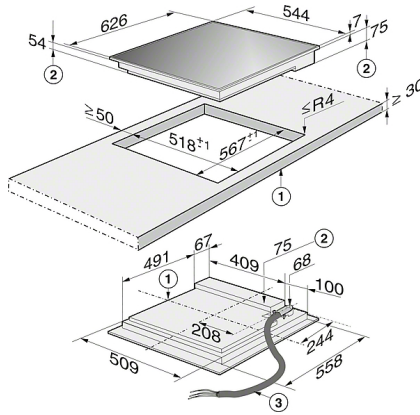
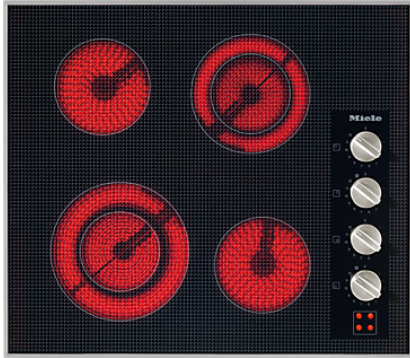
Electric cooktop  
with four cooking zones and direct rotary dial controls for maximum convenience.



| Standard accessories |   |
|----------------------|---|
| Razor-blade scraper  | • |
| Connection wire      | • |

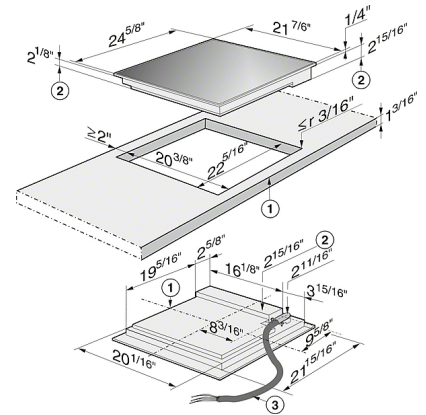
KM 5621 208V

Electric cooktop  
with four cooking zones and direct rotary dial controls for maximum convenience.



KM 5621 (Installation drawing)

1. Front
2. Building-in depth
3. Flexible metal hose, L = 1200 mm



KM 5621 (Installation drawing)

1. Front
2. Building-in depth
3. Flexible metal hose, L = 47 1/4"