

## DAR 1220-3

### Wall ventilation hood

for perfect combination with Ranges and Rangetops.



- Professional design – stainless steel hood, 30 (760) in (mm) wide
- Perfect illumination – LED ClearView lighting
- Dishwasher-safe – 2 high-quality stainless steel grease filters
- Safe and easy to clean – Miele CleanCover
- Auto-vent safety sensor – protects against overheating

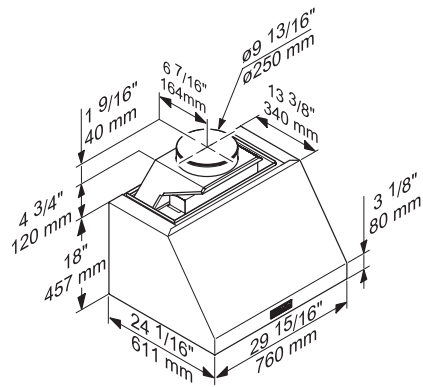
EAN: 4002516546931 / Material number: 11898130 / Old Material Number: 28122051USA

<b>Construction type</b>	
Wall ventilation hood	•
<b>Required accessories</b>	
Blower	•
Duct cover	•
<b>Operating modes</b>	
Recirculated mode	Convertible
External operation possible	•
<b>Control panel</b>	
Rotary knob	•
Power levels (number excl. Intensive)	3
Temperature sensor	•
<b>Cleaning convenience</b>	
Dishwasher-safe grease collection channel	•
Easy-to-clean canopy interior – CleanCover	•
<b>Filter system</b>	
Number of dishwasher-safe stainless steel baffle filters	2
<b>Lighting</b>	
LED	•
Number x W	2 x 3 W
<b>Blower options (to be purchased separately)</b>	
DRIB XL internal blower in CFM (m <sup>3</sup> /h)	1189
DREB XL external blower in CFM (m <sup>3</sup> /h)	1189
<b>Technical data</b>	
Canopy width in in.(mm)	30 (760)
Canopy width in inches	29 15/16
Canopy height in in.(mm)	18 (457)
Canopy depth in in.(mm)	24 1/8 (611)
Net weight in lbs. (kg)	60 (27.0)
Length of electrical wire in ft (m)	2 (0.8)
Standard plug fitted	•
Total connected load in kW	0.80
Voltage in V	120
Fuse rating in A	15
Number of phases	1
<b>Installation notes</b>	
Vent connection at top	•
Diameter of vent connection in in.(mm)	9 7/8 (250)
<b>Accessories supplied</b>	
Non-return flap	•

DAR 1220-3

Wall ventilation hood

for perfect combination with Ranges and Rangetops.



DAR1220 (Installation drawing)

1) Installation area