

CS 1012-2 G
CombiSets
with two burners

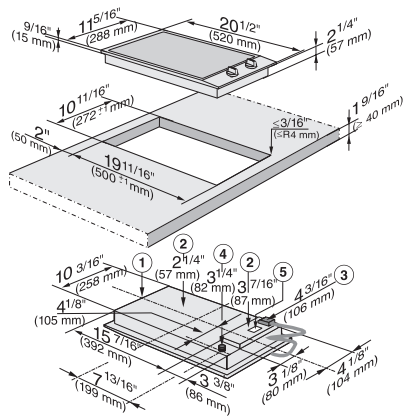


- Professional design – Stainless steel trough, 11 3/8 (288) in (mm) wide
- Particularly versatile – 1 medium burner and 1 large burner
- Optimal – single-handed operation via rotary dials and QuickStart
- Extremely safe – GasStop&Restart function
- Easy cleaning – ComfortClean dishwasher-safe grates

EAN: 4002516429869 / Material number: 11763800 / Old Material Number: 27101254USA

Heating type	
Fuel type	Gas
Construction type	
ProLine	•
Design	
Stainless steel trough	•
Miele logo embossed in stainless steel	•
Cast iron pot rest (matte black enameled)	•
Ring features	
No. of rings	2
1st cooking zone/cooking area	
Position	front center
Type	Standard burner
Max. rating in W	1600
2nd cooking zone/cooking area	
Position	rear center
Type	Ultra high-speed burner
Max. rating in W	3000
Control panel	
Operation via knobs	•
QuickStart	•
Safety	
Residual heat indicator	•
Heat indicator	•
Operational indicator	•
GasStop & ReStart	•
Technical data	
Dimensions (H x W x D) in inches (mm)	
Dimensions (width) in in. (mm)	11 3/8 (288)
Height in in. (mm)	2 7/8 (73)
Built-in height with mains connection box in in. (mm)	4 1/4 (106)
Dimensions in mm (depth)	20 1/2 (520)
Cutout dimensions (width) in in. (mm)	10 3/4 (272)
Cutout dimensions (depth) in in. (mm)	19 3/4 (500)
Weight in lbs. (kg)	17 (8)
Total connected load in kW	4.85
Power cord length in in. (m)	6 (2.0)
Voltage in V	120
Frequency in Hz	60
Accessories supplied	
Number of mains cables with plug	Yes
Standard accessories	
Jet set for natural gas	•
Jet set for liquid gas	•

CS 1012-2 G
CombiSets
with two burners



CS1012-1G, CS1012-2G, CS1012-2LP (Installation drawing) – USA

1) Appliance front, 2) Installation height, 3) Power supply box with Connection cable, L = 78 3/4" (2000 mm), 4) Gas Fitting, 5) Rating label