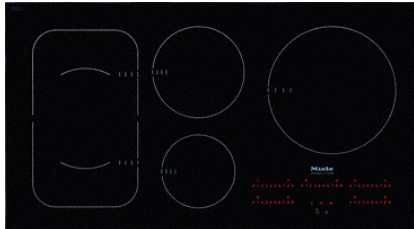


KM 6375

Induction Cooktop

with PowerFlex cooking area for maximum versatility and performance.



- Quick selection using numerical linear keybanks - Direct control plus
- Modern design - 35 7/8 (911)Inch wide for flush-mounted installation
- Versatile and fast - 5 cooking zones incl. 1 PowerFlex area
- Communication with the hood - automatic function Con@ctivity
- Broad performance spectrum - keeping warm function and TwinBooster

EAN: 4002515472781 / material number: 09775920

| | |
|------------------------------------|-----------------------|
| Type of heating | |
| Fuel type | Induction |
| Construction type | |
| Independent of oven | • |
| Design | |
| Elegant glass ceramic surface | • |
| Ceramic surface color | Black |
| Print design | LightPrint |
| Flush-mounted installation | • |
| Ring features | |
| No. of rings | 5 |
| PowerFlex cooking zone | |
| Number | 2 |
| Size in inches (mm) | Ø 150 – 230 |
| Max. rating in W | 2200 |
| Max. booster rating in W | 3100 |
| Max. TwinBooster rating in W | 3850 |
| Ring | |
| Position | Left |
| Type | PowerFlex bridge |
| Size in inches (mm) | 230x390 |
| Max. rating in W | 3550 |
| Max. booster rating in W | 5000 |
| Max. TwinBooster rating in W | 7700 |
| Position | rear center |
| Type | Variable cooking zone |
| Size in inches (mm) | Ø 140-200 |
| Max. booster rating in W | 2600 |
| Position | rear right |
| Type | Variable cooking zone |
| Size in inches (mm) | 180-280 |
| Max. rating in W | 2500 |
| Max. booster rating in W | 3100 |
| Position | front center |
| Type | Variable cooking zone |
| Size in inches (mm) | Ø 100-160 |
| Max. rating in W | 1450 |
| Max. booster rating in W | 1900 |
| Control panel | |
| Operation via touchpad sensors | Multiple direct dial |
| Display color | Red |
| Pan/Pan-size sensors | • |
| Stop & Go function | • |
| Minute minder | • |
| Automatic switch-off for all rings | • |
| AutoBoost | • |
| Keep-warm function | • |
| Cleaning convenience | |
| Easy to clean ceramic surface | • |

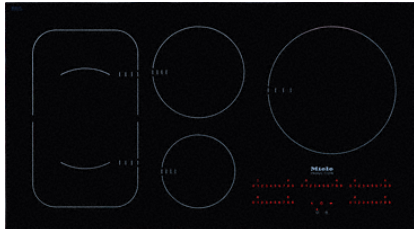
More information at www.MieleUSA.com

For further information please see next page...

KM 6375

Induction Cooktop

with PowerFlex cooking area for maximum versatility and performance.

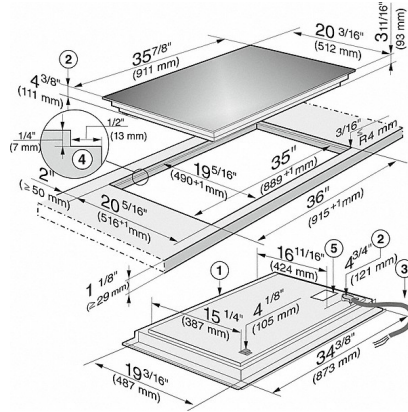
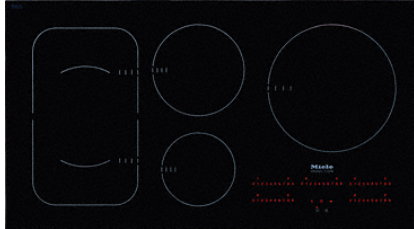


| Safety | |
|---|--------------|
| Safety cut-out | • |
| Lock function | • |
| System lock | • |
| Overheating protection | • |
| Residual heat indicator | • |
| Technical data | |
| Dimensions in in. (width) | 35 7/8 (911) |
| Dimensions (height) in in.(mm) | 4 7/8 (121) |
| Dimensions (depth) in in.(mm) | 20 1/4 (512) |
| Built-in height with mains connection box in in.(mm) | 5 1/8 (128) |
| Internal cutout dimensions in in. (width) with flush installation | 889 |
| Internal cutout dimensions in in. (depth) with flush installation | 490 |
| External cutout dimensions in in. (width) with flush installation | 915 |
| External cutout dimensions in in. (depth) with flush installation | 516 |
| Weight in lbs. (kg) | 59 (27) |
| Total connected load in kW | 11.5 |
| Power cord length in m | 3 (1.2) |
| Standard accessories | |
| Connection wire | • |

KM 6375

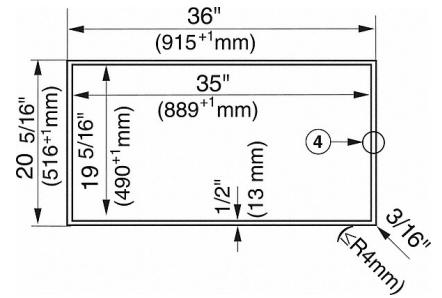
Induction Cooktop

with PowerFlex cooking area for maximum versatility and performance.



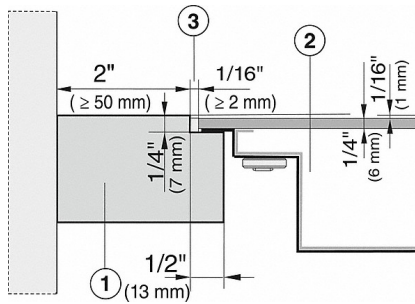
KM 6375 (Installation drawing)

- 1) Front
- 2) Casing depth
- 3) Flexible metal Extension hose L = 47 1/4" (1200 mm)
- 4) Stepped cut-out
- 5) Data plate



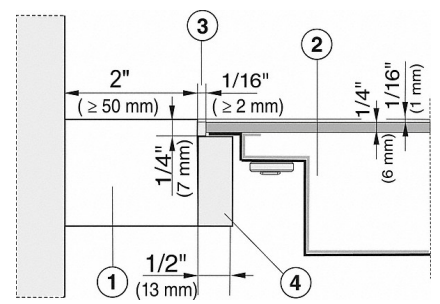
KM 6375 (Installation drawing)

- 4) Wooden frame 1/2" / 13 mm (not supplied with appliance)



KM 6375 (Installation drawing)

- 1) Worktop
- 2) Hob
- 3) Width of gap



KM 6375 (Installation drawing)

- 1) Worktop
- 2) Cooktop
- 3) Gap
- 4) Wooden frame 1/2" / 13 mm (supplied loose)