

KF 2802 Vi

MasterCool™ fridge-freezer

For high-end design and technology on a large scale.



EAN: 4002516321927 / material number: 11502850

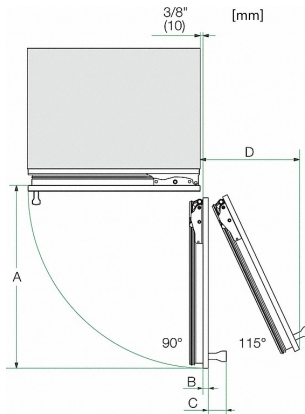
Appliance category	
Fridge-freezer	•
Construction type	
Door hinge side	right
Convertible hinging	•
Control panel	
ComfortClean	•
NoFrost	•
SoftClose door closing damper	•
Efficiency and sustainability	
Energy Star Qualified	•
Technical data	
Appliance width in in.(mm)	29 7/8 (756)
Appliance height in in.(mm)	83 3/4 (2,127)
Appliance depth in in.(mm)	24 (608)
Maximum fridge compartment door front weight in lbs. (kg)	100 (45)
Maximum freezer compartment door front weight in lbs. (kg)	40 (18)
Fridge compartment volume in l	323
4-star freezer compartment volume in l	129
Current consumption in milliampere (mA)	4,000
Voltage in V	120
Fuse rating in A	10
Wire length in ft (m)	9 (3.0)

- Push2open for convenient door-opening assistance
- Food stays fresh for up to 3 x longer thanks to SmartFresh
- Light floods the interior thanks to LED elements – BrilliantLight
- Communication with the machine could not be easier – WiFi Conn@ct
- Convenient control thanks to color touch display MasterSensor

KF 2802 Vi

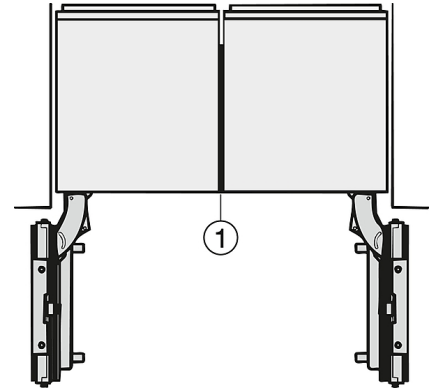
MasterCool™ fridge-freezer

For high-end design and technology on a large scale.



Opening angle 90°/115°, right side stop, MasterCool (Sketch) *footnote

- A) Appliance door width
- F 2461 Vi: 525 mm (20 2/3 inch);
- F 2462 Vi: 525 mm (20 2/3 inch);
- K 2601 Vi, K 2601 SF, F 2661 Vi, KWT 2601 Vi, KWT 2601 SF, KWT 2661 ViS, KWT 2661 SFS: 677 mm (26 2/3 inch);
- K 2602 Vi, K 2602 SF, F 2662 Vi, KWT 2602 Vi, KWT 2602 SF, KWT 2662 ViS, KWT 2662 SFS: 677 mm (26 2/3 inch);
- K 2801 Vi, K 2801 SF, F 2801 Vi, KF 2801 Vi, KF 2801 SF: 829 mm (32 2/3 inch);
- K 2802 Vi, K 2802 SF, F 2802 Vi, KF 2802 Vi, KF 2802 SF: 829 mm (32 2/3 inch);
- K 2901 Vi, K 2901 SF, F 2901 Vi, KF 2901 Vi, KF 2901 SF: 982 mm (38 2/3 inch);
- K 2902 Vi, K 2902 SF, F 2902 Vi, KF 2902 Vi, KF 2902 SF: 982 mm (38 2/3 inch);
- B) Furniture front (max. 38 mm) (1 1/2 inch)
- C) Door handle
- D) Distance door to wall (without furniture front and door handle):
- F 2461 Vi: 237 mm (9 1/3 inch);
- F 2462 Vi: 237 mm (9 1/3 inch);
- K 2601 Vi, K 2601 SF, F 2661 Vi, KWT 2601 Vi, KWT 2601 SF, KWT 2661 ViS, KWT 2661 SFS: 296 mm (11 2/3 inch);
- K 2602 Vi, K 2602 SF, F 2662 Vi, KWT 2602 Vi, KWT 2602 SF, KWT 2662 ViS, KWT 2662 SFS: 296 mm (11 2/3 inch);
- K 2801 Vi, K 2801 SF, F 2801 Vi, KF 2801 Vi, KF 2801 SF: 363 mm (14 1/3 inch);
- K 2802 Vi, K 2802 SF, F 2802 Vi, KF 2802 Vi, KF 2802 SF: 363 mm (14 1/3 inch)
- K 2901 Vi, K 2901 SF, F 2901 Vi, KF 2901 Vi, KF 2901 SF: 428 mm (16 7/8 inch)
- K 2902 Vi, K 2902 SF, F 2902 Vi, KF 2902 Vi, KF 2902 SF: 428 mm (16 7/8 inch)
- E) ONLY valid for SF versions: A + 25 mm (1 inch)



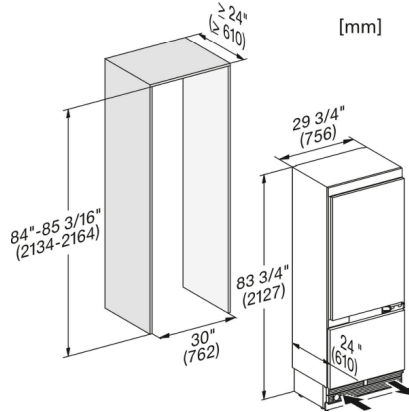
Side-by-side, MasterCool, without partition wall, with heating mat (Sketch) (with footnote)

- 1) Heating mat KSK 2001 (EU, AUS, CN) or KSK 2002 (US, CA, MX, BR)

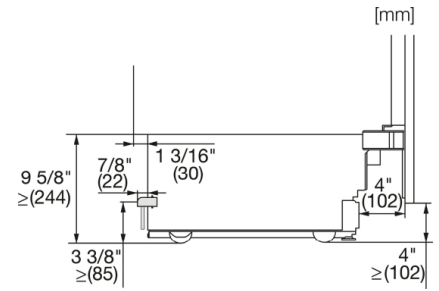
KF 2802 Vi

MasterCool™ fridge-freezer

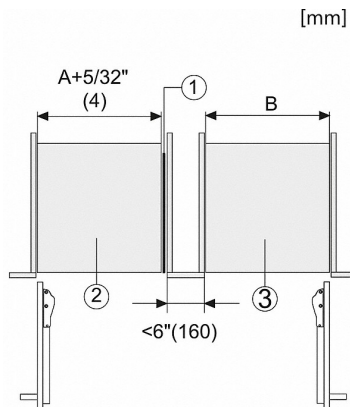
For high-end design and technology on a large scale.



KF2802Vi, KF2812Vi, KF2801Vi, KF2811Vi, Installation, MasterCool II, installation drawings

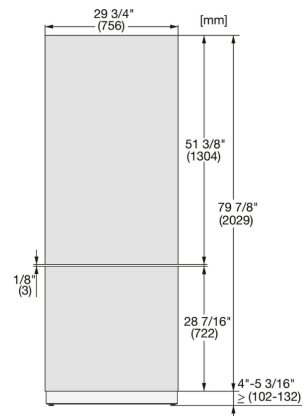


KF2901Vi/SF, KF2911Vi/SF, KF2801Vi/SF, KF2811Vi/SF, KF2981Vi/SF, sideview, MasterCool, installation drawings

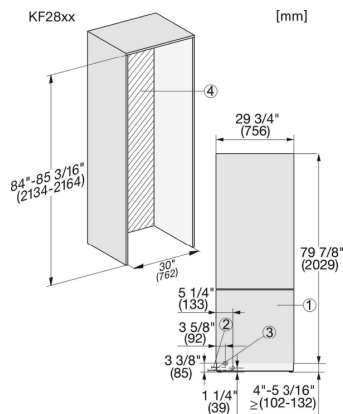


Side-by-Side, MasterCool, footnote, installation drawings

1. KSK 2001/2002
2. Device A
3. Device B
- A = niche device A
- B = niche device B



KFP3015ed/cs, KFP3025ed/cs, KFP3014ed/cs, KFP3024ed/cs, Front panel, Front dimensions, MasterCool, sketch

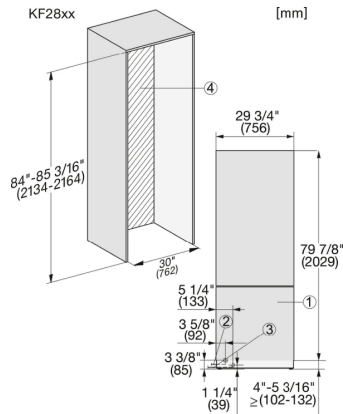


KF2801Vi, KF2811SF, KF2811Vi, KF2811SF, KF2802Vi, KF2812SF, KF2812Vi, KF2812SF, MasterCool, installation

KF 2802 Vi

MasterCool™ fridge-freezer

For high-end design and technology on a large scale.



drawings

1. View from the front
2. Mains Connection cable, L = 3000 mm
3. Water inlet position, L = 2000mm
4. No water/ELT connections permitted in this area