

KFN 15943 DE edt/cs

Freestanding fridge-freezer
30" (75 cm) wide for a lot of storage space.



EAN: 4002515887578 / material number: 10721530

Appliance category	
Fridge-freezer	•
Construction type	
Free-standing	•
Door hinge side	right
Convertible hinging	•
Design	
Casing color	Stainless steel look
Front color	Stainless steel/CleanSteel
Type of lighting	LED
Control panel	
ComfortClean	•
DynaCool	•
NoFrost	•
DuplexCool	•
VarioRoom	•
SoftClose door closing damper	•
Plumbed water connection	•
Concealed door opener	EasyOpen lever handle
Control	
Electronic temperature display and control	TouchControl
Fridge compartment can be switched off	•
Independent temperature control of fridge and freezer compartments	•
Super Cooling	•
SuperFrost	•
No. of temperature zones	2
Sabbath mode	•
Fridge / Fridge compartment	
Height-adjustable toughened glass shelves	•
No. of shelves	4
Chrome-plated metal bottle rack	•
No. of removable fruit and vegetable drawers	Qty 3
of which on castors	2
Half width storage racks	4
Inner door racks for bottles	1
Freezer / Freezer compartment	
No. of removable freezer drawers/baskets	Qty 4
Safety	
Lock function	•
Acoustic door alarm	•
Acoustic temperature alarm, freezer section	•
Optical door alarm	•
Optical temperature alarm	•
Power cut indication for freezer compartment	•

- Optimum and maintenance-free LED lighting in compartment
- High efficiency and top-class freshness
- No icing up of food and no need to defrost thanks to Frost free
- Easy and effortless opening of refrigerators thanks to EasyOpen
- Ice cubes thanks to the plumbed IceMaker

KFN 15943 DE edt/cs

Freestanding fridge-freezer

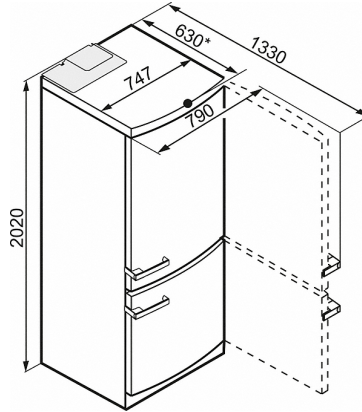
30" (75 cm) wide for a lot of storage space.



Technical data	
Appliance width in in.(mm)	29 5/8 (750)
Appliance height in in.(mm)	79 5/8 (2,020)
Appliance depth in in.(mm)	24 7/8 (630)
Climatic classification	SN-T
Fridge compartment volume in l	331
4-star freezer compartment volume in l	121
PerfectFresh zone volume in gal(l)	0.00 (0)
Storage time in case of fault	24
Freezing capacity in h/lbs. (h/kg)	31 (14.0)
Current consumption in milliampere (mA)	2,500
Voltage in V	115
Fuse rating in A	15
Wire length in ft (m)	7 (2.4)
Standard accessories	
Butter dish	•
Egg rack	•
Freezer packs	•

KFN 15943 DE edt/cs

Freestanding fridge-freezer
30" (75 cm) wide for a lot of storage space.



KFN14947SDEed/cs-1, KFN14943SDed/cs-1,
KFN14943SDEed/cs-1, KFN16947Ded/cs,
KFN15943Dedt/cs (*footnote)

*To ensure that energy consumption as stated is achieved, machines should be used together with the enclosed spacer brackets. This increases the total depth of the unit by approx. 3.5 cm. Machines are still fully functional when operated without these brackets but have a slightly higher energy consumption.