

CS 1028 G

CombiSets  
with one burner



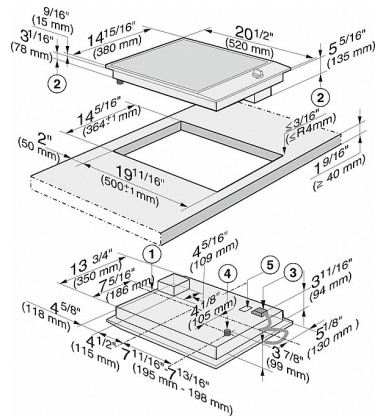
- Professional design - 15 (380)Inch wide stainless steel trough
- Particularly brilliant performance - mono wok with up to 8 kW
- Simple controls -single-handed operation via rotary dial control
- Extremely safe - GasStop function
- Particularly high-quality - enamelled cast-iron grates

EAN: 4002514585130 / material number: 07182170

<b>Type of heating</b>	
Fuel type	Gas
<b>Design</b>	
Stainless steel trough	•
Miele logo embossed in stainless steel	•
Cast iron pot rest (matte black enameled)	•
<b>Ring features</b>	
No. of rings	1
<b>Ring</b>	
Position	Centred
Type	Dual wok burner
Max. rating in W	6000
<b>Control panel</b>	
Operation via knobs	•
Electronic ignition with one-handed operation	•
<b>Safety</b>	
GasStop	•
<b>Technical data</b>	
Dimensions in in. (width)	15 (380)
Dimensions (height) in in.(mm)	6 (150)
Dimensions (depth) in in.(mm)	20 1/2 (520)
Built-in height with mains connection box in in.(mm)	3 1/2 (87)
Cutout dimensions in in. (width) with proud-mounted installation	14 3/8 (364)
Cutout dimensions in in. (depth) with proud-mounted installation	19 3/4 (500)
Weight in lbs. (kg)	22 (10)
Power cord length in m	6 (2.0)
<b>Standard accessories</b>	
Connection wire	•

CS 1028 G

CombiSets  
with one burner



CS 1028 G (Installation drawing) - USA

- 1) Appliance front
- 2) Installation height
- 3) Power supply box with Connection cable, L = 78 3/4" (2000 mm)
- 4) Gas Fitting
- 5) Rating label