

KWT 2611 Vi

MasterCool WineConditioning Unit

For high-end design and technology on a large scale.



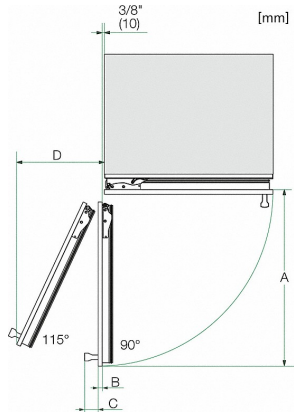
- Push2open for convenient door-opening assistance
- Various wines at the perfect temperature – 3 temperature zones
- Flexible storage of large wine bottles thanks to FlexiFrame
- Light floods the interior thanks to LED elements – BrilliantLight
- Communication with the machine could not be easier – WiFi Conn@ct

EAN: 4002515928714 / material number: 10746000

Appliance category	
Wine storage unit	•
Construction type	
Built-in	•
Built-in integrated	•
Door hinge side	Left
Convertible hinging	•
Can be installed side-by-side	•
Design	
Lighting	BrilliantLight
Control panel	
DynaCool	•
Push2open	•
MaxLoad hinge	•
FlexiFrame	•
Flexible wooden shelves FlexiFrame	13
NoteBoard	•
Control	
No. of temperature zones	3
Sabbath mode	•
Appliance networking	
MobileControl	•
Safety	
Lock function	•
Acoustic door alarm	•
Acoustic temperature alarm, freezer section	•
Optical door alarm	•
Technical data	
Appliance width in in.(mm)	23 3/4 (603)
Appliance height in in.(mm)	83 3/4 (2,127)
Appliance depth in in.(mm)	24 (608)
Weight in lbs.(kg)	328 (148)
Maximum fridge compartment door front weight in lbs. (kg)	161 (73)
Wine conditioning zone volume in l	379
Available space for the number of 750 mL bottles	104
Current consumption in milliampere (mA)	4,000
Voltage in V	120
Fuse rating in A	10
Wire length in ft (m)	9 (3.0)

KWT 2611 Vi

MasterCool WineConditioning Unit
For high-end design and technology on a large scale.



Opening angle 90°/115°, right side stop, MasterCool (Sketch) with footnote

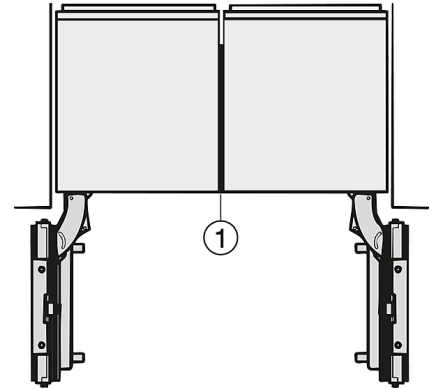
A) Appliance door
F 2411 Vi, F 2411 SF, F 2471 Vi, F 2471 SF: 525 mm (20 2/3 inch);
K 2611 Vi, F 2671 Vi, F 2671 SF, KWT 2611 Vi, KWT 2611 SF, KWT 2671 ViS: 677 mm (26 2/3 inch);
K 2811 Vi, K 2811 SF, F 2811 SF, F 2811 Vi, KF 2811 Vi, KF 2811 SF: 829 mm (32 2/3 inch);
K 2911 Vi, K 2911 SF, F 2911 Vi, F 2911 SF, KF 2911 Vi, KF 2911 SF: 982 mm (38 2/3 inch)

B) Furniture front (max. 38 mm) (1 1/2 inch)

C) Door handle

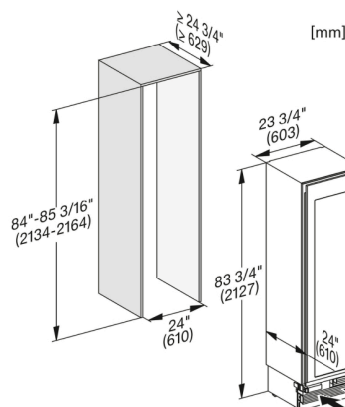
D) Distance from the door to the wall (without furniture front and door handle): F 2411 Vi, F 2411 SF, F 2471 Vi, F 2471 SF: 237 mm (9 1/3 inch);
K 2611 Vi, F 2671 Vi, F 2671 SF, KWT 2611 Vi, KWT 2611 SF, KWT 2671 ViS: 296 mm (11 2/3 inch);
K 2811 Vi, K 2811 SF, F 2811 SF, F 2811 Vi, KF 2811 Vi, KF 2811 SF: 363 mm (14 1/3 inch);
K 2911 Vi, K 2911 SF, F 2911 Vi, F 2911 SF, KF 2911 Vi, KF 2911 SF: 428 mm (16 7/8 inch)

E) ONLY valid for SF versions: A + 25 mm (1 inch)

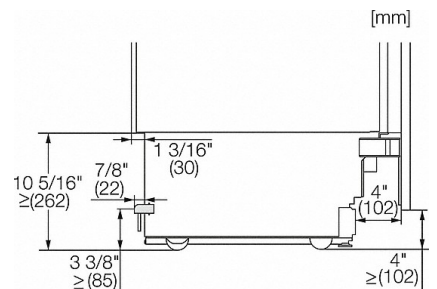


Side-by-side, MasterCool, without partition wall, with heating mat (Sketch) (with footnote)

1) Heating mat KSK 2001 (EU, AUS, CN) or KSK 2002 (US, CA, MX, BR)



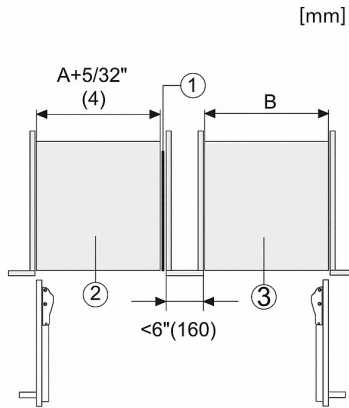
KWT2611Vi, KWT2671ViS, KWT2601Vi, KWT2661ViS, installation, MasterCool, installation drawings



Sideview, MasterCool, Sketch

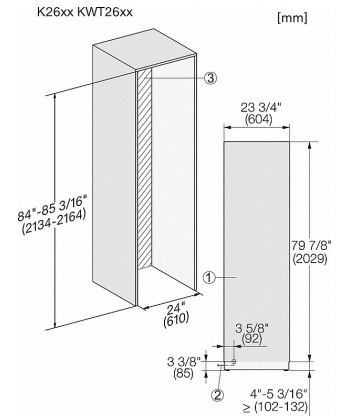
KWT 2611 Vi

MasterCool WineConditioning Unit
For high-end design and technology on a large scale.



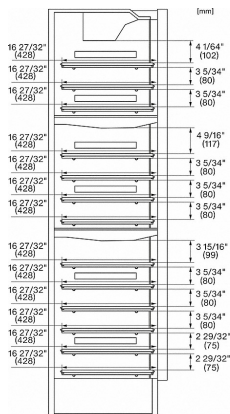
Side-by-Side, MasterCool, footnote, installation drawings

1. KSK 2001/2002
 2. Device A
 3. Device B
- A = niche device A
B = niche device B



Installation, MasterCool, *footnote, installation drawings

1. View from the front
2. Mains connection cable, L = 3000 mm (118 inch)
3. No water/ELT connections permitted in this area



KWT2602Vi/SF, KWT2612Vi/SF, KWT2601Vi/SF,
KWT2611Vi/SF, inner space, MasterCool, installation drawings