

KF 2901 SF

MasterCool™ fridge-freezer

For high-end design and technology on a large scale.



- Push2open for convenient door-opening assistance
- Food stays fresh for up to 3 x longer thanks to SmartFresh
- Light floods the interior thanks to LED elements – BrilliantLight
- Communication with the machine could not be easier – WiFi Conn@ct
- Convenient control thanks to color touch display MasterSensor

EAN: 4002515928639 / material number: 10745880

Appliance category	
Fridge-freezer	•
Construction type	
Built-in	•
Built-in integrated	•
Door hinge side	right
Convertible hinging	•
Can be installed side-by-side	•
Design	
Front color	Stainless steel/CleanSteel
Lighting	BrilliantLight
Control panel	
Freshness system	MasterFresh
ComfortClean	•
DynaCool	•
NoFrost	•
DuplexCool Pro	•
SelfClose	•
IceMaker with plumbed water connection	•
Push2open	•
FullAccess	•
EasyClean	•
MaxLoad hinge	•
Control	
Electronic temperature display and control	MasterSensor
Super Cooling	•
No. of temperature zones	3
Sabbath mode	•
Fridge / Fridge compartment	
Height-adjustable toughened glass shelves	2
No. of PerfectFresh drawers	2
SlidingShelf	•
Door rack for tins	1
Inner door racks for bottles	2
Freezer / Freezer compartment	
Number of freezer baskets	2
Efficiency and sustainability	
Energy Star Qualified	•
Appliance networking	
Miele@home	•
WiFiConn@ct	•
Safety	
Lock function	•
Overflow protection	•
Acoustic door alarm	•
Acoustic temperature alarm, freezer section	•
Optical door alarm	•
Optical temperature alarm	•

More information at www.MieleUSA.com

For further information please see next page...

KF 2901 SF

MasterCool™ fridge-freezer

For high-end design and technology on a large scale.

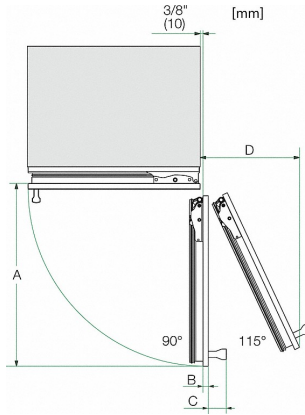


Technical data	
Appliance width in in.(mm)	35 3/4 (908)
Appliance height in in.(mm)	83 3/4 (2,127)
Appliance depth in in.(mm)	24 1/8 (610)
Fridge compartment volume in l	397
4-star freezer compartment volume in l	157
Current consumption in milliampere (mA)	4,000
Voltage in V	120
Fuse rating in A	10
Wire length in ft (m)	9 (3.0)
Standard accessories	
Active AirClean filter	•

KF 2901 SF

MasterCool™ fridge-freezer

For high-end design and technology on a large scale.



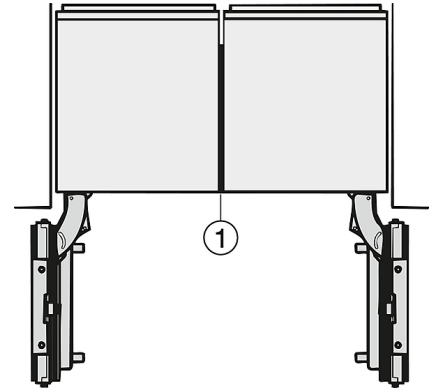
Opening angle 90°/115°, right side stop, MasterCool (Sketch) *footnote

A) Appliance door width
 F 2461 Vi: 525 mm (20 2/3 inch);
 K 2601 Vi, K 2601 SF, F 2661 Vi, KWT 2601 Vi, KWT 2601 SF, KWT 2661 ViS, KWT 2661 SFS: 677 mm (26 2/3 inch);
 K 2801 Vi, K 2801 SF, F 2801 Vi, KF 2801 Vi, KF 2801 SF: 829 mm (32 2/3 inch);
 K 2901 Vi, K 2901 SF, F 2901 Vi, KF 2901 Vi, KF 2901 SF: 982 mm (38 2/3 inch)

B) Furniture front (max. 38 mm) (1 1/2 inch)
 C) Door handle

D) Distance door to wall (without furniture front and door handle): F 2461 Vi: 237 mm (9 1/3 inch);
 K 2601 Vi, K 2601 SF, F 2661 Vi, KWT 2601 Vi, KWT 2601 SF, KWT 2661 ViS, KWT 2661 SFS: 296 mm (11 2/3 inch);
 K 2801 Vi, K 2801 SF, F 2801 Vi, KF 2801 Vi, KF 2801 SF: 363 mm (14 1/3 inch);
 K 2901 Vi, K 2901 SF, F 2901 Vi, KF 2901 Vi, KF 2901 SF: 428 mm (16 7/8 inch)

E) ONLY valid for SF versions: A + 25 mm (1 inch)

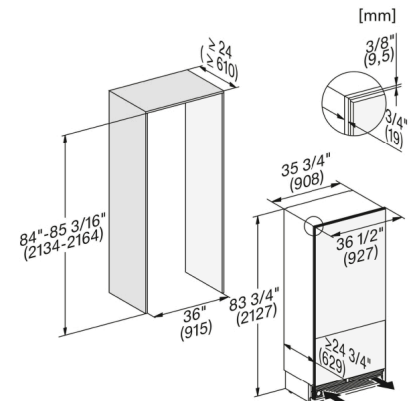


Side-by-side, MasterCool, without partition wall, with heating mat (Sketch) (with footnote)

1) Heating mat KSK 2001 (EU, AUS, CN) or KSK 2002 (US, CA, MX, BR)



KF2902SF, KF2912SF, KF2901SF, KF2911SF, MasterCool, top view, doorway, installation drawings (US, CA)

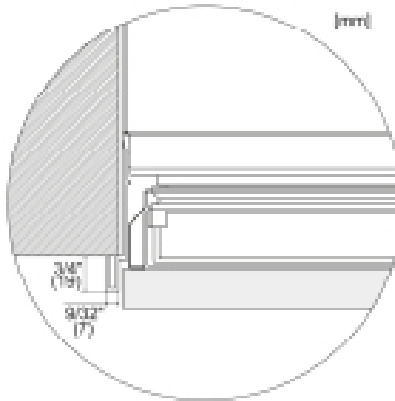


KF2902SF, KF2912SF, KF2901SF, KF2911SF, installation, MasterCool, installation drawings (US, CA)

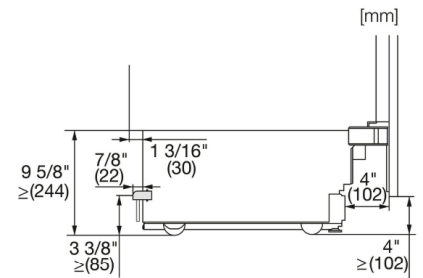
KF 2901 SF

MasterCool™ fridge-freezer

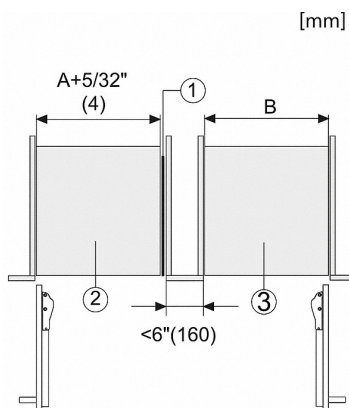
For high-end design and technology on a large scale.



MasterCool, top view, doorway, installation drawings



KF2901Vi/SF, KF2911Vi/SF, KF2801Vi/SF, KF2811Vi/SF, KF2981Vi/SF, sideview, MasterCool, installation drawings



Side-by-Side, MasterCool, footnote, installation drawings

- 1. KSK 2001/2002
- 2. Device A
- 3. Device B
- A = niche device A
- B = niche device B