

K 2901 SF

MasterCool™ refrigerator

For high-end design and technology on a large scale.



EAN: 4002515901397 / material number: 10744840

- Push2open for convenient door-opening assistance
- Food stays fresh for up to 3 x longer thanks to SmartFresh
- Light floods the interior thanks to LED elements – BrilliantLight
- Communication with the machine could not be easier – WiFi Conn@ct
- Convenient control thanks to color touch display MasterSensor

<b>Appliance category</b>	
Fridge	•
<b>Construction type</b>	
Built-in	•
Built-in integrated	•
Door hinge side	right
Convertible hinging	•
Can be installed side-by-side	•
<b>Design</b>	
Front color	Stainless steel/CleanSteel
Lighting	BrilliantLight
<b>Control panel</b>	
Freshness system	MasterFresh
ComfortClean	•
DynaCool	•
SelfClose	•
Push2open	•
FullAccess	•
EasyClean	•
MaxLoad hinge	•
<b>Control</b>	
Electronic temperature display and control	MasterSensor
Super Cooling	•
No. of temperature zones	2
Sabbath mode	•
<b>Fridge / Fridge compartment</b>	
Height-adjustable toughened glass shelves	2
No. of removable fruit and vegetable drawers	1
No. of PerfectFresh drawers	2
SlidingShelf	•
Door rack for tins	1
Inner door racks for bottles	3
<b>Efficiency and sustainability</b>	
Energy Star Qualified	•
<b>Appliance networking</b>	
Miele@home	•
WiFiConn@ct	•
MobileControl	•
<b>Safety</b>	
Lock function	•
Overflow protection	•
Acoustic door alarm	•
Acoustic temperature alarm, freezer section	•
Optical door alarm	•
Optical temperature alarm	•

K 2901 SF

MasterCool™ refrigerator

For high-end design and technology on a large scale.

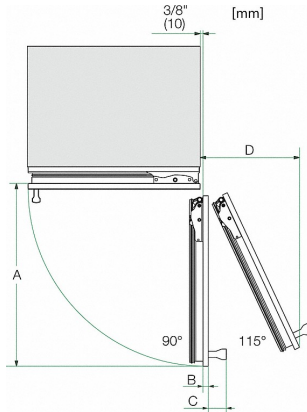


<b>Technical data</b>	
Appliance width in in.(mm)	35 3/4 (908)
Appliance height in in.(mm)	83 3/4 (2,127)
Appliance depth in in.(mm)	24 1/8 (610)
Weight in lbs.(kg)	457 (207.00)
Fridge compartment volume in l	582
Current consumption in milliampere (mA)	4,000
Voltage in V	120
Fuse rating in A	10
Wire length in ft (m)	9 (3.0)
<b>Standard accessories</b>	
Active AirClean filter	•

K 2901 SF

MasterCool™ refrigerator

For high-end design and technology on a large scale.



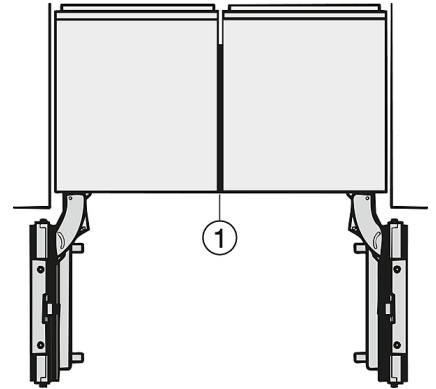
Opening angle 90°/115°, right side stop, MasterCool (Sketch) \*footnote

A) Appliance door width  
 F 2461 Vi: 525 mm (20 2/3 inch);  
 K 2601 Vi, K 2601 SF, F 2661 Vi, KWT 2601 Vi, KWT 2601 SF, KWT 2661 ViS, KWT 2661 SFS: 677 mm (26 2/3 inch);  
 K 2801 Vi, K 2801 SF, F 2801 Vi, KF 2801 Vi, KF 2801 SF: 829 mm (32 2/3 inch);  
 K 2901 Vi, K 2901 SF, F 2901 Vi, KF 2901 Vi, KF 2901 SF: 982 mm (38 2/3 inch)

B) Furniture front (max. 38 mm) (1 1/2 inch)  
 C) Door handle

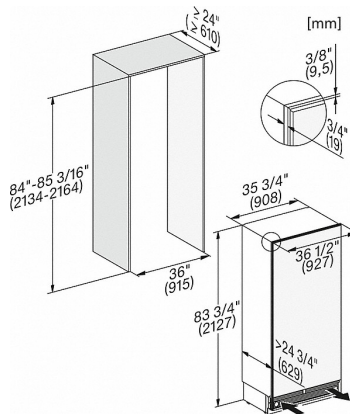
D) Distance door to wall (without furniture front and door handle): F 2461 Vi: 237 mm (9 1/3 inch);  
 K 2601 Vi, K 2601 SF, F 2661 Vi, KWT 2601 Vi, KWT 2601 SF, KWT 2661 ViS, KWT 2661 SFS: 296 mm (11 2/3 inch);  
 K 2801 Vi, K 2801 SF, F 2801 Vi, KF 2801 Vi, KF 2801 SF: 363 mm (14 1/3 inch);  
 K 2901 Vi, K 2901 SF, F 2901 Vi, KF 2901 Vi, KF 2901 SF: 428 mm (16 7/8 inch)

E) ONLY valid for SF versions: A + 25 mm (1 inch)

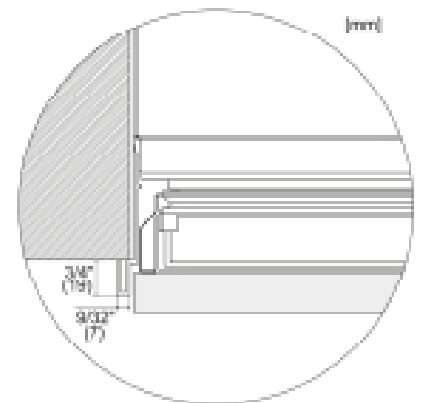


Side-by-side, MasterCool, without partition wall, with heating mat (Sketch) (with footnote)

1) Heating mat KSK 2001 (EU, AUS, CN) or KSK 2002 (US, CA, MX, BR)



K2902SF, K2912SF, F2912SF, K2901SF, K2911SF, F2911SF, K2901 SF, K2911 SF, F2911 SF, inner space, MasterCool (US, CA)

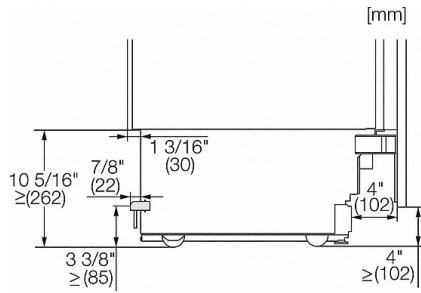


MasterCool, top view, doorway, installation drawings

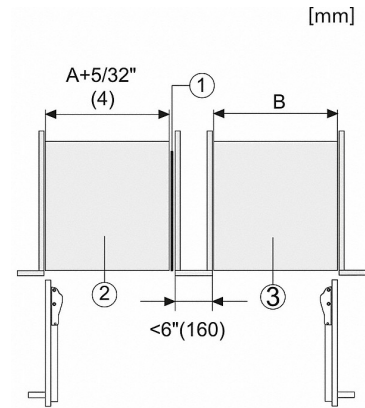
K 2901 SF

MasterCool™ refrigerator

For high-end design and technology on a large scale.

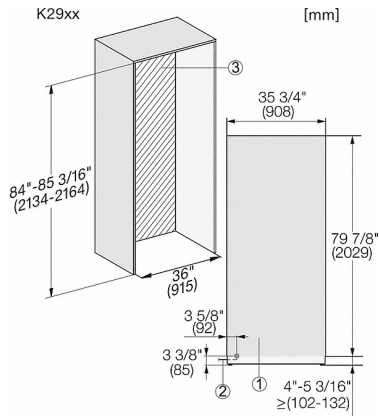


Sideview, MasterCool, Sketch



Side-by-Side, MasterCool, footnote, installation drawings

- 1. KSK 2001/2002
- 2. Device A
- 3. Device B
- A = niche device A
- B = niche device B



K2902Vi, K2902SF, K2912Vi, K2912SF, installation, MasterCool, \*footnote, installation drawings

- 1. View from the front
- 2. Mains connection cable, L = 3000 mm (118 inch)
- 3. No water/ELT connections permitted in this area