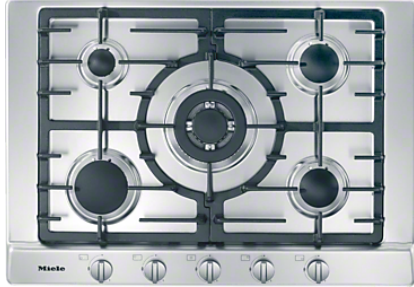


KM 2032 G

Gas cooktop
with 5 burners for particularly versatile cooking convenience.



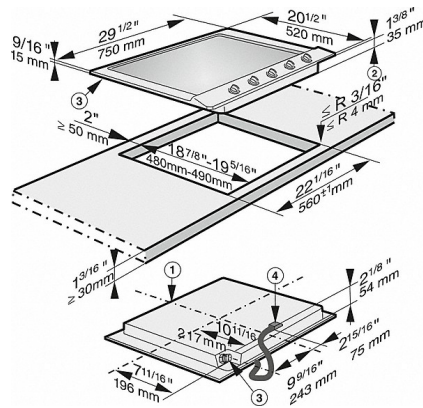
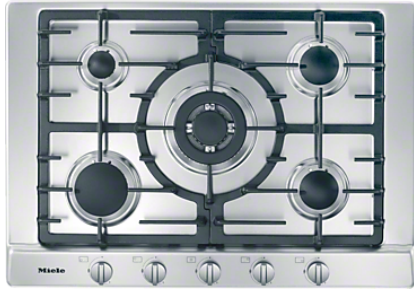
- Simple controls -single-handed operation via rotary dial control
- Professional design - 29 5/8 (750)Inch wide stainless steel trough
- Particularly versatile - 5 burners incl. 1 mono wok
- Extremely safe - GasStop function
- Particularly high-quality - enamelled cast-iron grates

EAN: 4002515962473 / material number: 10735660

Type of heating	
Fuel type	Gas
Construction type	
Independent of oven	•
Design	
Stainless steel trough	•
Cast iron pot rest (matte black enameled)	•
Ring features	
No. of rings	5
Ring	
Position	front left
Type	High-speed burner
Position	rear left
Type	Economy burner
Position	Centred
Type	Single wok burner
Position	rear right
Type	Standard burner
Position	front right
Type	Standard burner
Control panel	
Operation via knobs	•
Electronic ignition with one-handed operation	•
Cleaning convenience	
PerfectClean burner	•
Safety	
GasStop	•
Technical data	
Dimensions in in. (width)	29 5/8 (750)
Dimensions (height) in in.(mm)	3 5/8 (90)
Dimensions (depth) in in.(mm)	20 1/2 (520)
Cutout dimensions in in. (width) with proud-mounted installation	22 1/8 (560)
Cutout dimensions in in. (depth) with proud-mounted installation	19 (480)
Weight in lbs. (kg)	35 (16)
Total connected load in kW	10.9
Power cord length in m	6 (2.0)
Standard accessories	
Connection wire	•
Jet set for liquid gas	•

KM 2032 G

Gas cooktop
with 5 burners for particularly versatile cooking convenience.



KM2032G (installation drawing) USA

1. Front
2. Building-in depth
3. Gas connection R 1/2 - ISO 7-1 (DIN 2999)
4. Mains connection box with mains connection cable, L = 2000 mm