

DGC 6700-1

Steam oven with full-fledged oven function and XL cavity combines two cooking techniques - steam and convection.



- Perfect results thanks to MultiSteam technology
- Sets new standards regarding brilliance and user convenience - MTouch
- Custom and precise temperature control - cook with the food probe
- Very convenient - water container is behind motorized fascia panel
- Plenty of space to be creative - the XL cooking compartment

EAN: 4002515646052 / material number: 10256750

<b>Construction type</b>	
Combination steam oven	•
<b>Design</b>	
Appliance color	Clean Touch Steel
Control panel	M Touch S
<b>Convenience features</b>	
External steam generation	•
Climate sensor	•
Individual humidity settings in combination cooking	•
Menu cooking without transfer of taste	•
Roast probe	•
Keep-warm function	•
Automatic programs with individual setting of the cooking result	•
<b>Operating modes</b>	
Defrost	•
Country-specific automatic programs	•
Combi cooking	•
Steam cooking	•
Sous-vide	•
Reheating	•
Broil	•
Broil	•
Convection Bake	•
Intensive bake	•
Cake plus	•
Surround	•
Browning	•
Bake	•
Convection Broil	•
Special modes	•
<b>Control panel</b>	
MultiLingua	•
MyMiele	•
Show me how	•
Motorized lift-up fascia	•
Steam cooking on up to 4 levels at the same time	•
Automatic menu cooking	•
Quantity-independent cooking	•
Steam reduction before end of program	•
Time of day display	•
Date display	•
Minute minder	•
Actual temperature display	•
Acoustic signal when desired temperature is reached	•
Favorites	20
Sabbath program	•
Individual settings	•

More information at [www.MieleUSA.com](http://www.MieleUSA.com)

For further information please see next page...

DGC 6700-1

Steam oven with full-fledged oven function and XL cavity combines two cooking techniques - steam and convection.



<b>Door</b>	
SoftOpen	•
CleanGlass door	•
Door with viewing screen	•
Door hinge side	Bottom
<b>Cavity</b>	
XXL cavity	•
Cavity volume in cu.ft(l)	2.40 (68)
No. of rack levels	4
Labeling of rack levels	•
MultiSteam module	•
<b>Cleaning convenience</b>	
Stainless-steel cavity with linen surface structure	•
Floor heater element for condensate reduction	•
External steam generator	•
Soak program	•
Rinse program	•
Cavity drying program	•
Quick-release side racks	•
Automatic descaling	•
<b>Steam technology and water supply</b>	
MultiSteam	•
Water reserve for approx. 90 min cooking	•
Lightweight water container	•
Condensate container behind motorized fascia panel	•
Drain filter	•
<b>Efficiency and sustainability</b>	
Rapid PreHeat	•
<b>Appliance networking</b>	
Miele@home	•
WiFiConn@ct	•
SuperVision display	•
<b>Safety</b>	
Appliance cooling system with cool touch front	•
Safety cut-out	•
System lock	•
Vapor cooling system	•
Child lock "appliance locked"	•
<b>Technical data</b>	
Niche depth in in. (mm)	22 3/8 (567)
Appliance width in in.(mm)	23 1/2 (595)
Appliance height in in.(mm)	18 (456)
Appliance depth in in.(mm)	22 5/8 (573)
Weight in lbs. (kg)	94 (42.2)
Usable voltage range in V	240/208
Fuse rating in A	20
Number of phases	2

DGC 6700-1

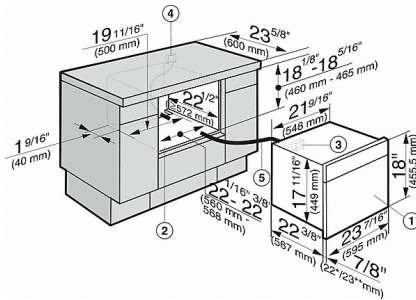
Steam oven with full-fledged oven function and XL cavity combines two cooking techniques - steam and convection.



Standard accessories	
No. of universal baking trays with PerfectClean	1
Combi rack with PerfectClean	1
No. of perforated stainless steel containers	2
No. of unperforated stainless steel containers	1
Connection wire with plug	•

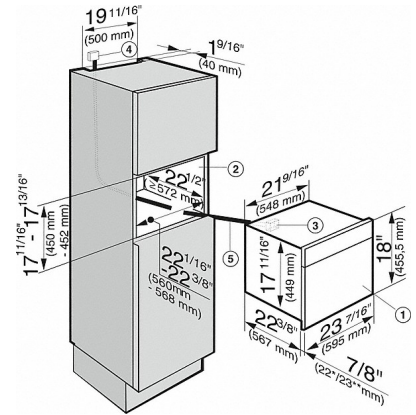
## DGC 6700-1

Steam oven with full-fledged oven function and XL cavity combines two cooking techniques - steam and convection.



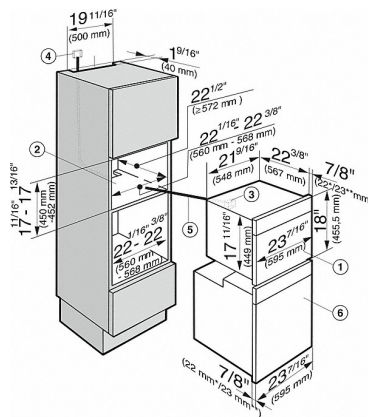
DGC 6000 XL in a floor unit, CLST (Installation drawing) - USA

- \* Appliances with glass front
- \*\* Appliances with metal front
- 1) Steam oven
- 2) Niche
- 3) Pass-through for the power cord
- 4) Recommended position for electrical Connection
- 5) Power cord



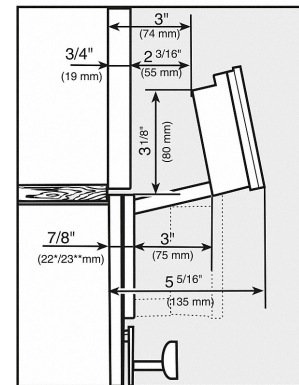
DGC 6000 XL in a tall unit, CLST (Installation drawing) - USA

- \* Appliances with glass front
- \*\* Appliances with metal front
- 1) Steam oven
- 2) Niche
- 3) Pass-through for the power cord
- 4) Recommended position for electrical Connection
- 5) Power cord



DGC 6000 XL in a tall unit with oven (Installation drawing) - USA

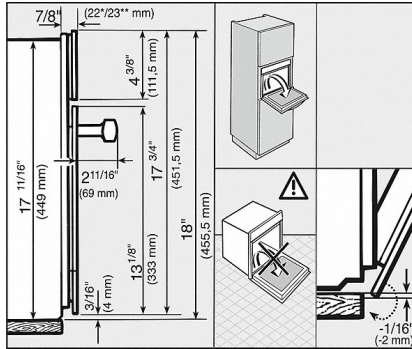
- \* Appliances with glass front
- \*\* Appliances with metal front
- 1) Steam oven
- 2) Niche
- 3) Pass-through for the power cord
- 4) Recommended position for electrical Connection
- 5) Power cord
- 6) Oven



DGC 6000 XL (detailed installation drawing of open control panel) - USA

DGC 6700-1

Steam oven with full-fledged oven function and XL cavity combines two cooking techniques - steam and convection.



DGC 6000 XL (detailed installation ContourLine) - USA

- \* Appliances with glass front
- \*\* Appliances with metal front