

DGC 6860 AM

Steam oven with full-fledged oven function and XXL cavity combines two cooking techniques - steam and convection.



EAN: 4002515628393 / material number: 10220980

- Perfect results thanks to MultiSteam technology
- Sets new standards regarding brilliance and user convenience - MTouch
- It doesn't get bigger than this – the XXL cooking compartment
- Very convenient - water container is behind motorized fascia panel
- Custom and precise temperature control - cook with the food probe

| | |
|--|-------------------|
| Construction type | |
| Combination steam oven | • |
| Design | |
| PureLine | • |
| Appliance color | Clean Touch Steel |
| Control panel | M Touch |
| Convenience features | |
| Electronic temperature control of oven in °F | 85-435 |
| Electronic temperature control of steam oven in °F | 105-212 |
| External steam generation | • |
| Climate sensor | • |
| Individual humidity settings in combination cooking | • |
| Menu cooking without transfer of taste | • |
| Roast probe | • |
| Keep-warm function | • |
| Automatic programs with individual setting of the cooking result | • |
| Operating modes | |
| Defrost | • |
| MasterChef automatic programs | More than 200 |
| Country-specific automatic programs | • |
| Combi cooking | • |
| Steam cooking | • |
| Sous-vide | • |
| Reheating | • |
| Broil | • |
| Convection Bake | • |
| Intensive bake | • |
| Cake plus | • |
| Surround | • |
| Browning | • |
| Bake | • |
| Convection Broil | • |
| Special modes | • |

DGC 6860 AM

Steam oven with full-fledged oven function and XXL cavity combines two cooking techniques - steam and convection.



| Control panel | |
|--|-----------|
| MultiLingua | • |
| MyMiele | • |
| Show me how | • |
| Search function automatic programs | • |
| Motorized lift-up fascia | • |
| Steam cooking on up to 4 levels at the same time | • |
| Automatic menu cooking | • |
| Quantity-independent cooking | • |
| Steam reduction before end of program | • |
| Polyphonic acoustic signals | • |
| Time of day display | • |
| Polyphonic acoustic signals | • |
| Date display | • |
| Minute minder | • |
| Time buffer in h | 200 |
| Start-stop programming | • |
| Automatic switch-off | • |
| Actual temperature display | • |
| Acoustic signal when desired temperature is reached | • |
| Favorites | 20 |
| Sabbath program | • |
| Individual settings | • |
| Door | |
| CleanGlass door | • |
| Door with viewing screen | • |
| Door hinge side | Bottom |
| Cavity | |
| XXL cavity | • |
| Cavity volume in cu.ft(l) | 2.51 (71) |
| PerfectClean stainless steel cavity | • |
| No. of rack levels | 4 |
| Labeling of rack levels | • |
| Removable side racks with PerfectClean | • |
| No. of halogen lamps | double |
| Cleaning convenience | |
| Stainless steel front with Clean Touch Steel surface | • |
| Cavity with PerfectClean | • |
| External steam generator | • |
| Soak program | • |
| Rinse program | • |
| Cavity drying program | • |
| Quick-release side racks | • |
| Automatic descaling | • |
| Steam technology and water supply | |
| MultiSteam | • |
| Water reserve for approx. 90 min cooking | • |
| Lightweight water container | • |
| Condensate container behind motorized fascia panel | • |
| Drain filter | • |

DGC 6860 AM

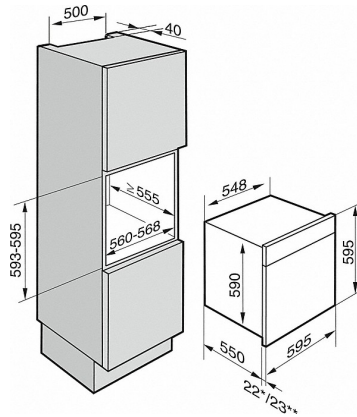
Steam oven with full-fledged oven function and XXL cavity combines two cooking techniques - steam and convection.



| | |
|---|--------------|
| Efficiency and sustainability | |
| Energy-saving lighting circuit | • |
| Rapid PreHeat | • |
| Appliance networking | |
| Miele@home | • |
| Safety | |
| Appliance cooling system with cool touch front | • |
| Safety cut-out | • |
| System lock | • |
| Vapor cooling system | • |
| Door contact switch | • |
| Technical data | |
| Niche depth in in. (mm) | 21 7/8 (555) |
| Appliance width in in.(mm) | 23 1/2 (595) |
| Appliance height in in.(mm) | 23 1/2 (595) |
| Appliance depth in in.(mm) | 22 5/8 (573) |
| Weight in lbs. (kg) | 107 (48.5) |
| Usable voltage range in V | 240/208 |
| Fuse rating in A | 20 |
| Number of phases | 2 |
| Standard accessories | |
| No. of universal baking trays with PerfectClean | 1 |
| Combi rack with PerfectClean | 1 |
| Side racks with PerfectClean | • |
| No. of perforated stainless steel containers | 2 |
| No. of unperforated stainless steel containers | 1 |
| Grease filter | • |
| Connection wire with plug | • |
| Descaling tablets | • |

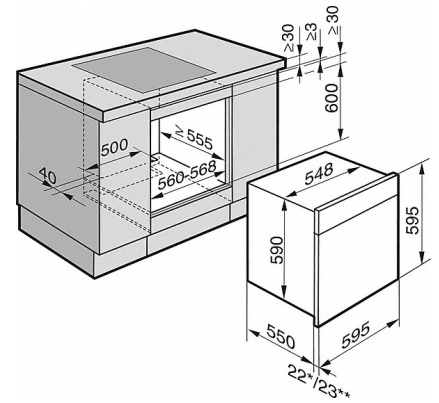
DGC 6860 AM

Steam oven with full-fledged oven function and XXL cavity combines two cooking techniques - steam and convection.



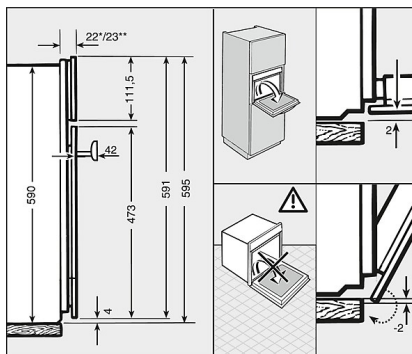
DGC 6000 built in wall unit, CLST (Installation drawing)

- * Appliances with glass front
- ** Appliances with metal front



DGC 6000, CLST (Skizze)

- * Appliances with glass front
- ** Appliances with metal front



DGC 6000 XXL PureLine (detailed installation drawing)

- * Appliances with glass front
- ** Appliances with metal front