

F 2662 Vi

MasterCool™ freezer

For high-end design and technology on a large scale.



- Push2open for convenient door-opening assistance
- Light floods the interior thanks to LED elements – BrilliantLight
- Ice and cooled-water dispensers for maximum convenience
- Communication with the machine could not be easier – WiFi Conn@ct
- Convenient control thanks to color touch display MasterSensor

EAN: 4002516323136 / material number: 11503540

| | |
|---|----------------|
| Appliance category | |
| Freezer | • |
| Construction type | |
| Built-in | • |
| Built-in integrated | • |
| Door hinge side | right |
| Can be installed side-by-side | • |
| Design | |
| Lighting | BrilliantLight |
| Control panel | |
| NoFrost | • |
| NoFrost | • |
| SoftClose door closing damper | • |
| Push2open | • |
| FullAccess | • |
| EasyClean | • |
| MaxLoad hinge | • |
| Control | |
| Electronic temperature display and control | MasterSensor |
| SuperFrost | • |
| No. of temperature zones | 1 |
| Sabbath mode | • |
| Fridge / Fridge compartment | |
| Door baskets – small | 1 |
| Door baskets – large | 3 |
| Freezer / Freezer compartment | |
| Ice and water dispenser in door | • |
| Number of shelves | 2 |
| Number of freezer baskets | 2 |
| Appliance networking | |
| Miele@home | • |
| WiFiConn@ct | • |
| MobileControl | • |
| Safety | |
| Lock function | • |
| Acoustic door alarm | • |
| Acoustic temperature alarm, freezer section | • |
| Optical door alarm | • |
| Optical temperature alarm | • |
| Technical data | |
| Appliance width in in.(mm) | 23 3/4 (603) |
| Appliance height in in.(mm) | 83 3/4 (2,127) |
| Appliance depth in in.(mm) | 24 (608) |
| Weight in lbs.(kg) | 336 (152.00) |
| Maximum fridge compartment door front weight in lbs. (kg) | 150 (68) |
| 4-star freezer compartment volume in l | 318 |
| Current consumption in milliampere (mA) | 4,000 |
| Voltage in V | 120 |
| Fuse rating in A | 10 |
| Wire length in ft (m) | 9 (3.0) |

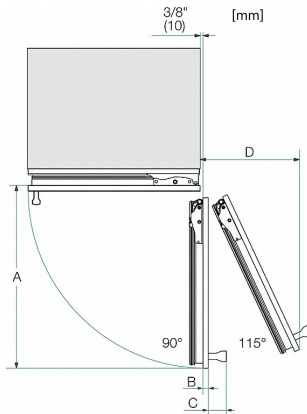
More information at www.MieleUSA.com

For further information please see next page...

F 2662 Vi

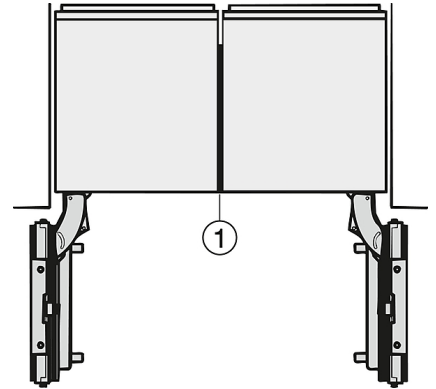
MasterCool™ freezer

For high-end design and technology on a large scale.



Opening angle 90°/115°, right side stop, MasterCool (Sketch) *footnote

- A) Appliance door width
 F 2461 Vi: 525 mm (20 2/3 inch);
 F 2462 Vi: 525 mm (20 2/3 inch);
 K 2601 Vi, K 2601 SF, F 2661 Vi, KWT 2601 Vi, KWT 2601 SF, KWT 2661 ViS, KWT 2661 SFS: 677 mm (26 2/3 inch);
 K 2602 Vi, K 2602 SF, F 2662 Vi, KWT 2602 Vi, KWT 2602 SF, KWT 2662 ViS, KWT 2662 SFS: 677 mm (26 2/3 inch);
 K 2801 Vi, K 2801 SF, F 2801 Vi, KF 2801 Vi, KF 2801 SF: 829 mm (32 2/3 inch);
 K 2802 Vi, K 2802 SF, F 2802 Vi, KF 2802 Vi, KF 2802 SF: 829 mm (32 2/3 inch);
 K 2901 Vi, K 2901 SF, F 2901 Vi, KF 2901 Vi, KF 2901 SF: 982 mm (38 2/3 inch);
 K 2902 Vi, K 2902 SF, F 2902 Vi, KF 2902 Vi, KF 2902 SF: 982 mm (38 2/3 inch);
 B) Furniture front (max. 38 mm) (1 1/2 inch)
 C) Door handle
 D) Distance door to wall (without furniture front and door handle):
 F 2461 Vi: 237 mm (9 1/3 inch);
 F 2462 Vi: 237 mm (9 1/3 inch);
 K 2601 Vi, K 2601 SF, F 2661 Vi, KWT 2601 Vi, KWT 2601 SF, KWT 2661 ViS, KWT 2661 SFS: 296 mm (11 2/3 inch);
 K 2602 Vi, K 2602 SF, F 2662 Vi, KWT 2602 Vi, KWT 2602 SF, KWT 2662 ViS, KWT 2662 SFS: 296 mm (11 2/3 inch);
 K 2801 Vi, K 2801 SF, F 2801 Vi, KF 2801 Vi, KF 2801 SF: 363 mm (14 1/3 inch);
 K 2802 Vi, K 2802 SF, F 2802 Vi, KF 2802 Vi, KF 2802 SF: 363 mm (14 1/3 inch);
 K 2901 Vi, K 2901 SF, F 2901 Vi, KF 2901 Vi, KF 2901 SF: 428 mm (16 7/8 inch);
 K 2902 Vi, K 2902 SF, F 2902 Vi, KF 2902 Vi, KF 2902 SF: 428 mm (16 7/8 inch)
 E) ONLY valid for SF versions: A + 25 mm (1 inch)



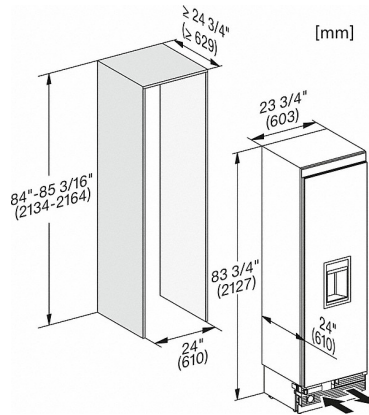
Side-by-side, MasterCool, without partition wall, with heating mat (Sketch) (with footnote)

- 1) Heating mat KSK 2001 (EU, AUS, CN) or KSK 2002 (US, CA, MX, BR)

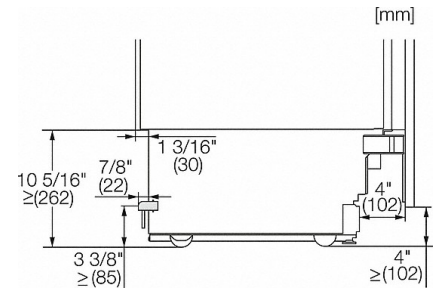
F 2662 Vi

MasterCool™ freezer

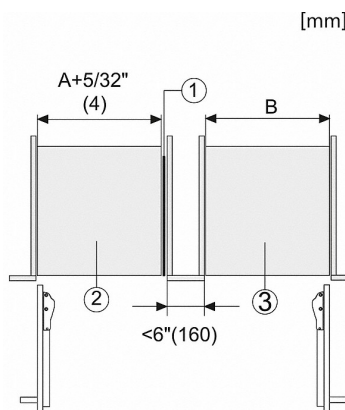
For high-end design and technology on a large scale.



F2672Vi, F2662Vi, F2671Vi, F2661Vi, installation, MasterCool (installation drawings)

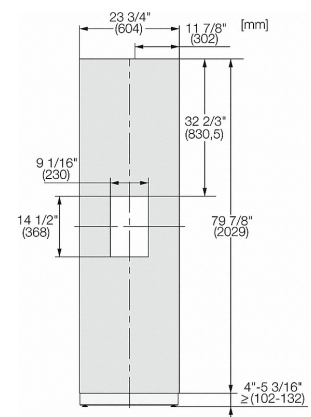


Sideview, MasterCool, Sketch

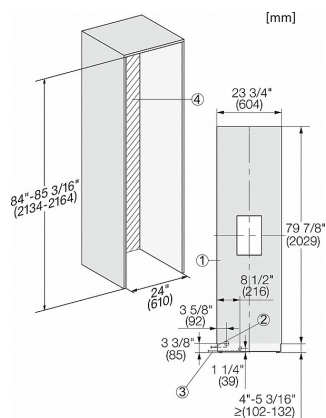


Side-by-Side, MasterCool, footnote, installation drawings

1. KSK 2001/2002
2. Device A
3. Device B
- A = niche device A
- B = niche device B



KFP2445ed/cs, KFP2444ed/cs, Front panel, Front dimensions, MasterCool, installation drawings

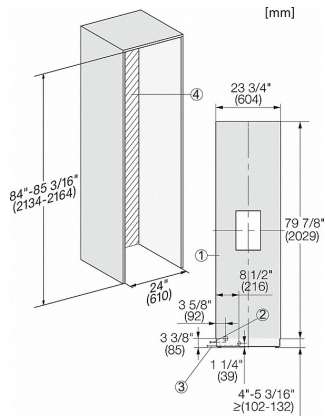


F2672Vi, F2672SF, F2662Vi, F2671Vi, F2671SF, F2661Vi, MasterCool, installation, installation drawings

F 2662 Vi

MasterCool™ freezer

For high-end design and technology on a large scale.



1. View from the front
2. Mains Connection cable, L = 3000 mm (118 inch)
3. Water inlet position, L = 2000mm (not for KON USA)
4. No water/ELT connections permitted in this area