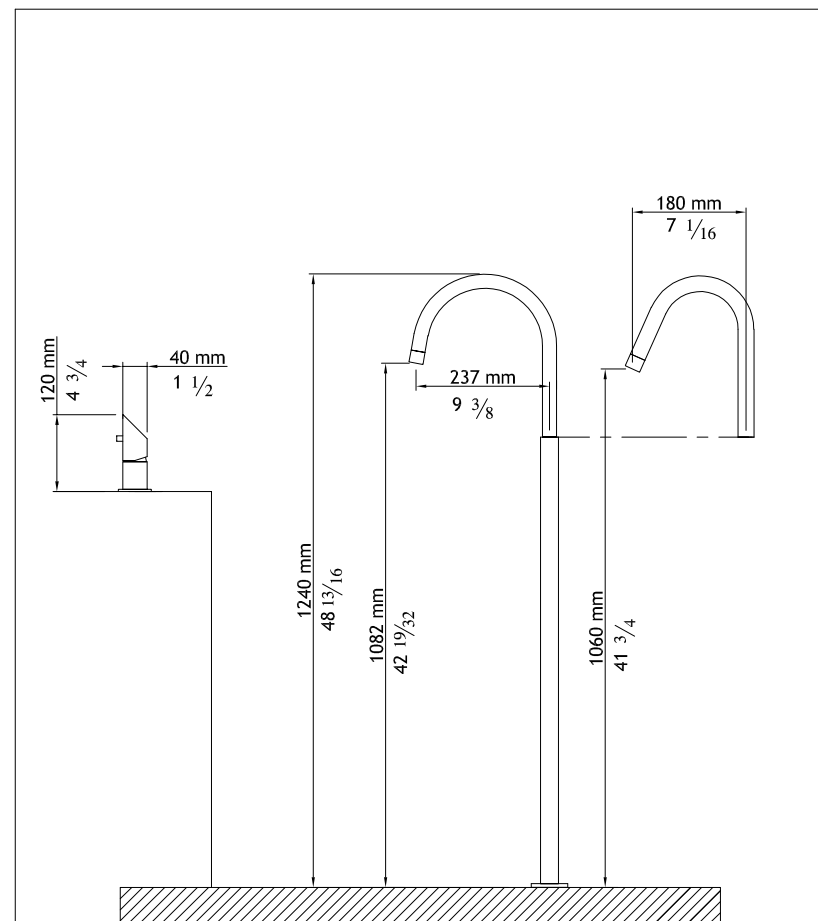
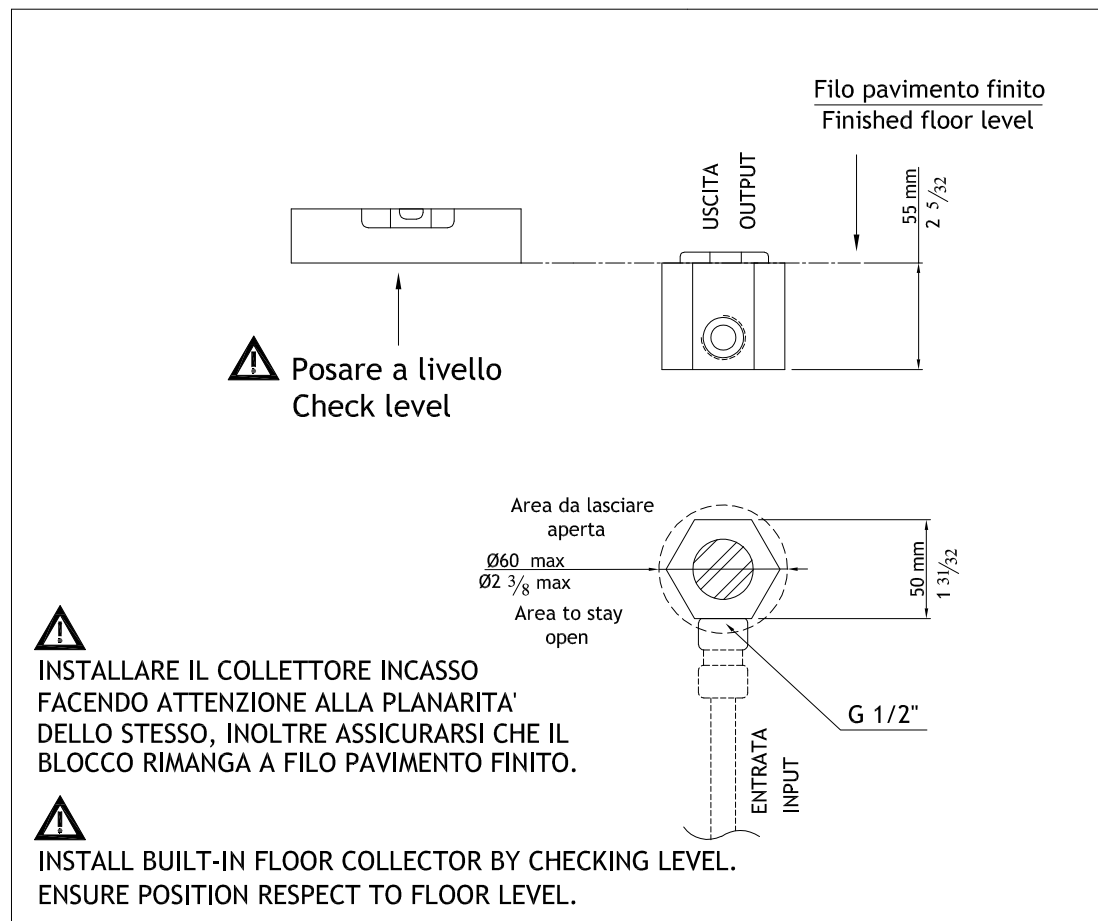


INDICAZIONI PER L' INCASSO A PAVIMENTO - FLOOR INSTALLATION INDICATIONS



MGS Progetti srl

Corso Milano,189 - 28883 Gravellona Toce (VB) - Italy

www.mgstaps.com - E-mail: info@mgstaps.com - Tel.:+39 0323 865218 - Fax:+39 0323 865215

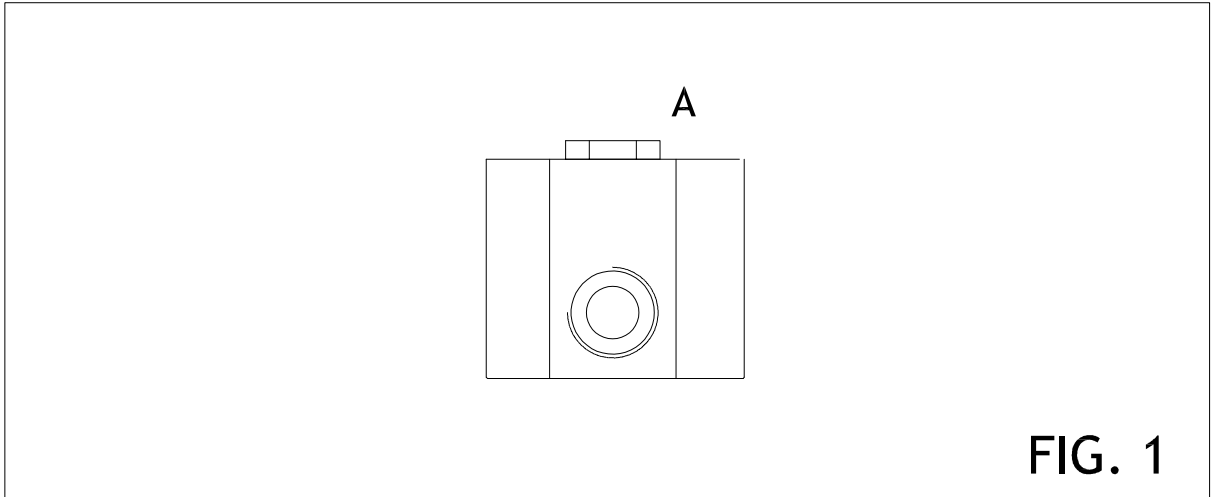


FIG. 1

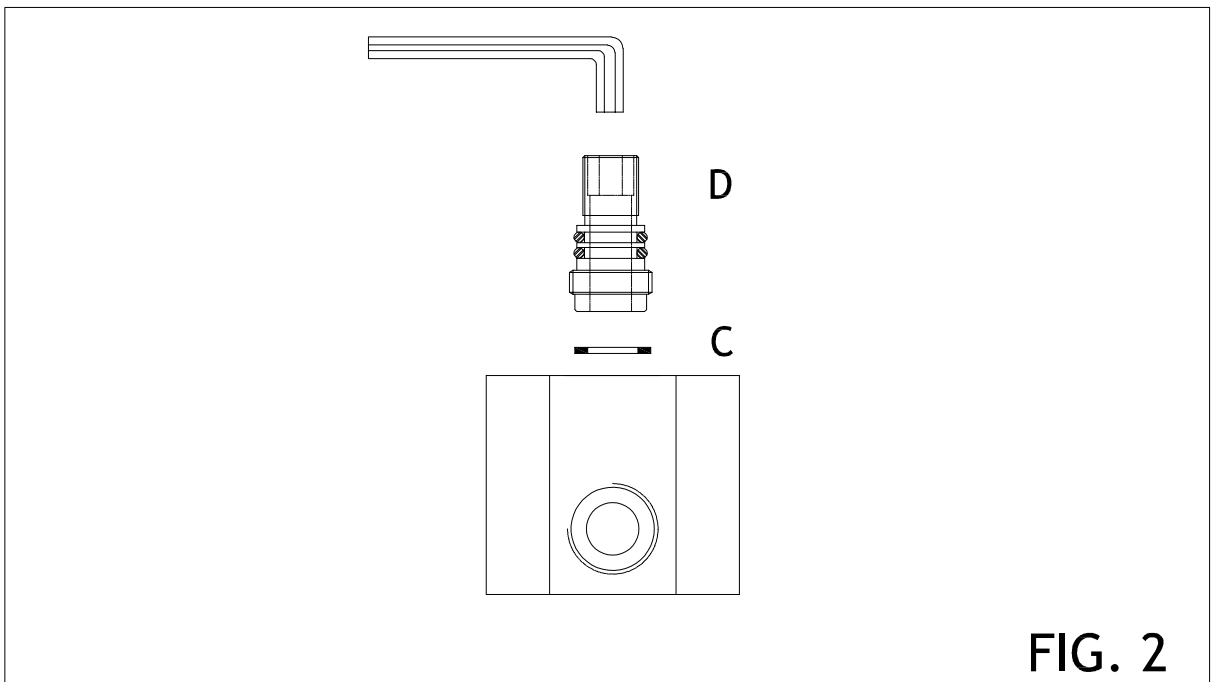


FIG. 2

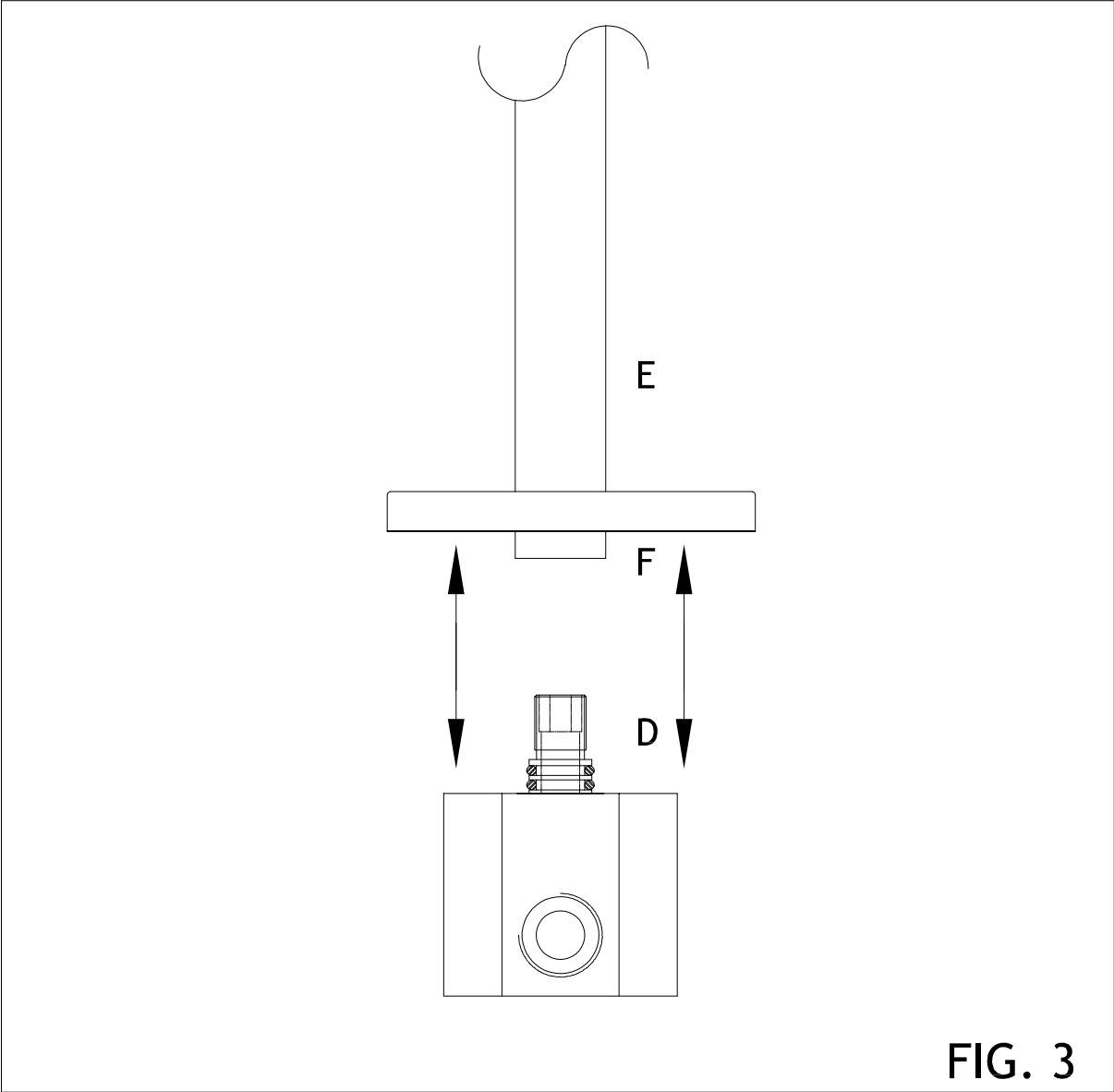


FIG. 3

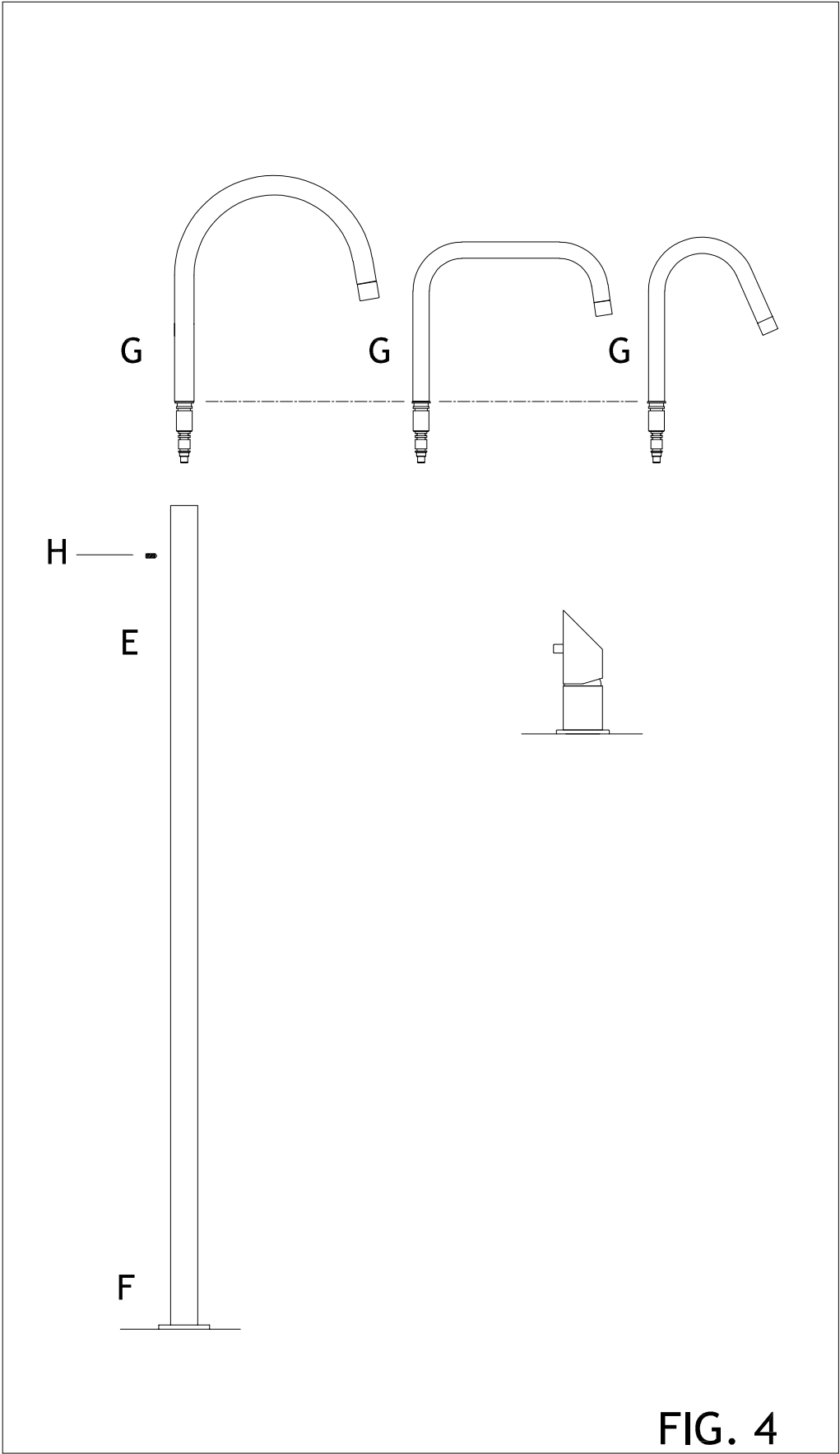


FIG. 4

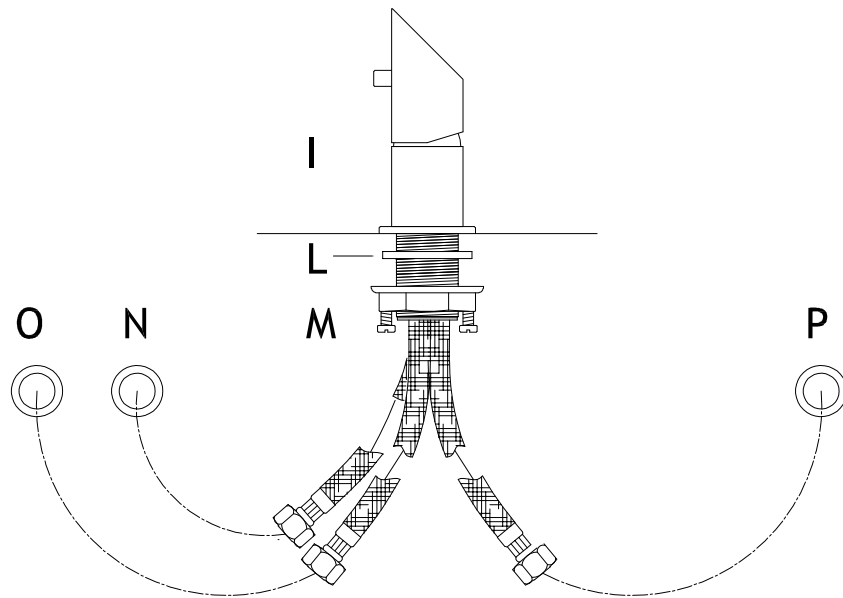


FIG. 5

ASSEMBLY INSTRUCTIONS
BASIN COLUMN / SINGLE LEVER MIXER – CB217 – CB219

Remove various parts from the carton with extreme care.

(FIG 1)

- Unscrew protection lid (A).

(FIG 2)

- Check that gasket (C) is in position.
- Tighten nozzle (D) with hexagonal key N° 10.

(FIG 3)

- Check that nozzle (D) is tight.
- Push ring (F) onto column (E).
- Screw column (E) onto nozzle (D) and tighten.
- Push ring (F) into position at the base of column (E).

(FIG 4)

- Fully push spout (G) into column (E) and tighten grub screw (H), with allen key enclosed.

ASSEMBLY OF SINGLE LEVER MIXER ON THE TOP (FIG 5)

Insert the shank of body (I) through the hole (dia. 35 mm) on the top and tighten nut (M) onto washer (L). Connect flexible hoses (N) (O) and (P) to the wall:
(blue = cold water inlet, red = hot water inlet, neutral = mixed water for the spout)