

DESCRIPTION

- Metal construction with Chrome plated or Classic Brushed Nickel finish
- 1/2" IPS shanks
- Designed to be installed on 8" to 16" centers
- Supplied with vandal resistant screws and metal pop-up waste assembly or metal grid where indicated

OPERATION

- Lever style handles with hot and cold color indicators
- Hot side counterclockwise to open (clockwise to close)
- Cold side clockwise to open (counterclockwise to close)

FLOW


- Aerator is limited to 1.5 gpm max (5.7 L/min)

CARTRIDGE

- 1224 cartridge design
- Nonmetallic and stainless steel material

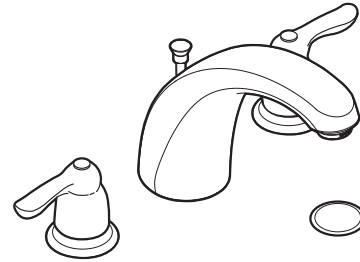
STANDARDS

- Third party certified to Watersense® (only applies to 1.5 gpm), ASME A112.18.1/CSA B125.1 and all applicable requirements referenced therein including NSF61/9
- Contains no more than 0.25% weighted average lead content
- Complies with California Proposition 65 and with the Federal Safe Drinking Water Act

- ADA  for lever handles

WARRANTY

- Warranted for 5 years against material or manufacturing defects



Two-Handle Widespread Lavatory Faucet

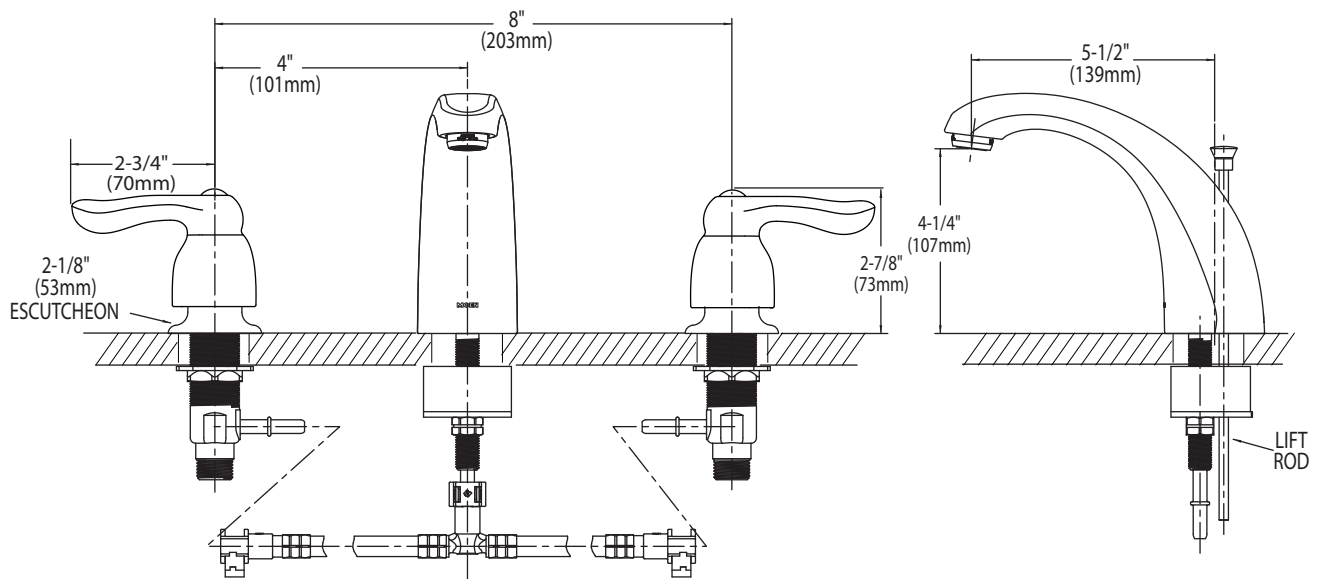
MODEL	FLOW (gpm)	DRAIN	FINISH	WATERSENSE CERTIFIED
8922	1.5	Metal	Chrome	x
8922CBN	1.5	Metal	CBN	x
8924	1.5	Grid	Chrome	x

CBN-Classic Brushed Nickel



See table above

NOTE: Spout designed to be installed through 1" min. dia. hole, valves install through 1-1/8" min. dia. hole



CRITICAL DIMENSIONS

(DO NOT SCALE)