

DESCRIPTION

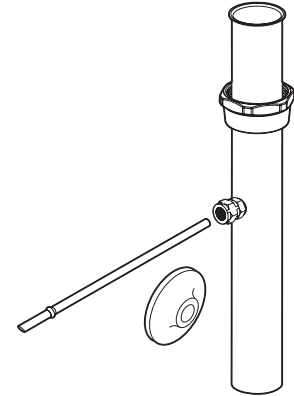
- Brass construction with chrome plated finish
- 1-1/2" x 12" 17 gauge
- 3/8" x 12" trap primer line
- 3/8" compression X 3/8" MPT connection

FLOW

- 3 oz. per cycle
- Replenishes drains up to 20 ft. away
- Intended for use with 1.6 to 3.5 GPF units

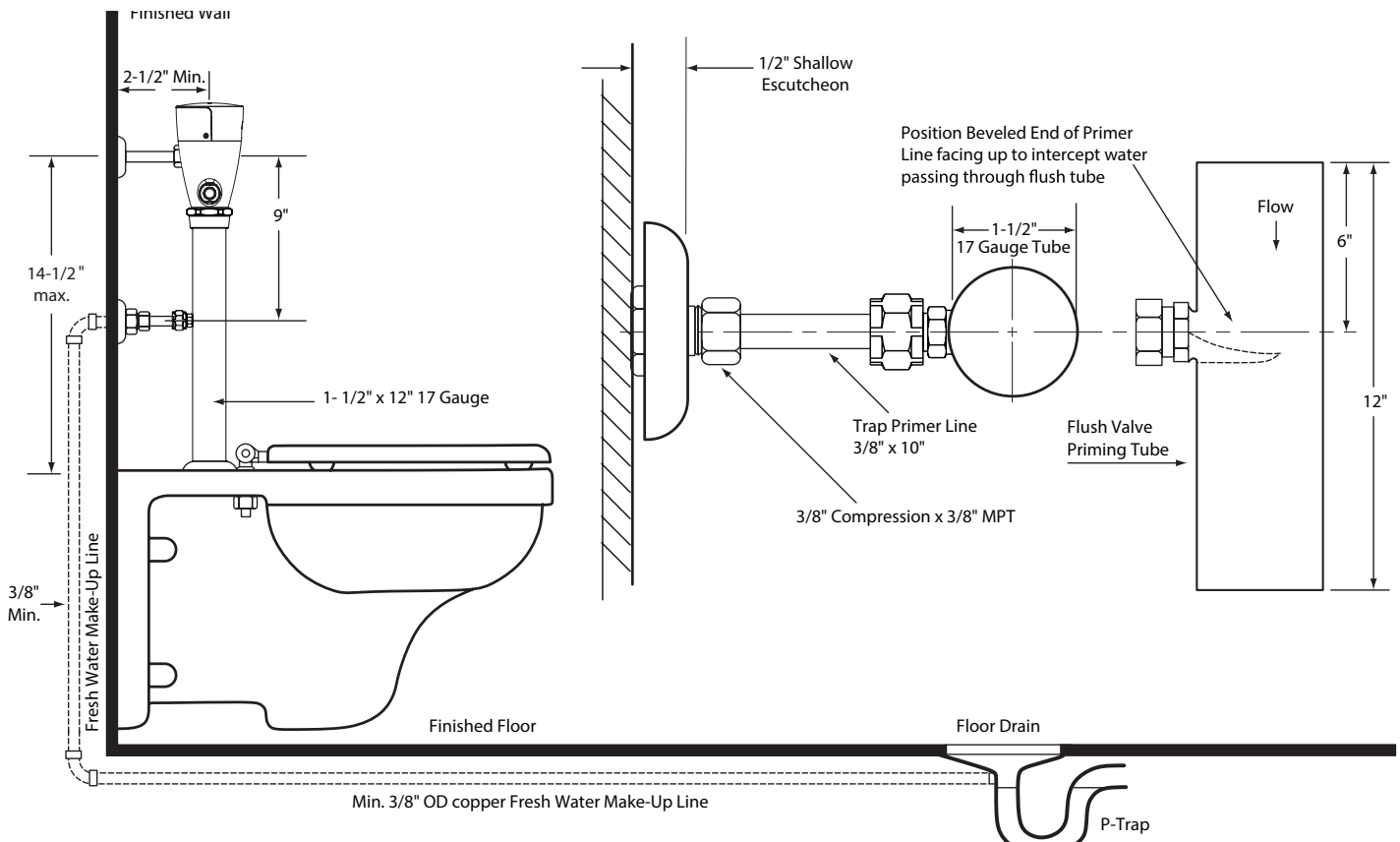
WARRANTY

- Warranted for five years against material or manufacturing defects



Flush Valve Trap Primer

Model: 104587



CRITICAL DIMENSIONS

(DO NOT SCALE)