



# 3.8 cu. ft. Top Load Washer

## MVWC465H



White  
MVWC465HW

### Capacity

Total 3.8 cu. ft.

### General Features & Properties

Quick Wash Cycle

Deep Water Wash Option

Auto Sensing Option

Deep Rinse Option

10-Year Limited Parts Warranty\*\* on the Drive Motor and Wash Basket

American Pride

Stainless Steel Wash Basket

Maytag® Commercial Technology

Colors with Soak Cycle

Whites with Soak Cycle

### Electrical Details

Amps 15

Volts 120

### Technical Details

Drum Material Stainless Steel

Wash Action Agitator

Control Location Rear Panel

Control Type Knobs

Number of Cycles 12

Washer Cycle Selections  
 Bulky Items  
 Clean Washer with affresh® Colors  
 Colors with Soak  
 Delicates  
 Drain & Spin  
 Normal  
 Powerwash®  
 Quick Wash  
 Rinse & Spin  
 Whites  
 Whites with Soak

Washer Option Selections  
 Rinse  
 Extra Rinse with Softener

### Dimensions

Product Dimensions (H x W x D) 40-7/8" x 27-1/2" x 27"

Height with Lid Open 90° 52"

### Reference Material

[Dimension Guide](#)

[Install Guide](#)

[Use & Care Guide](#)

[Energy Guide](#)

[Warranty](#)

### Key Features & Benefits

#### 3.8 Cu. Ft. Capacity

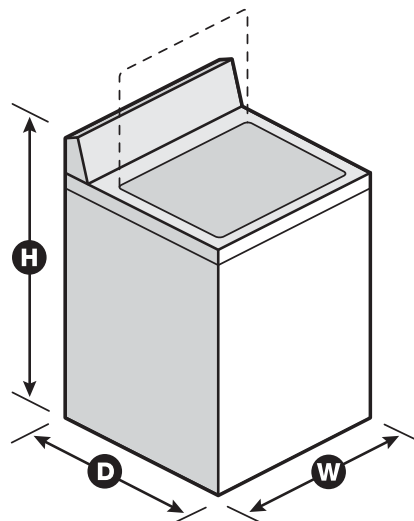
There's ample space with 3.8 cu. ft. capacity to tackle big, hamper-sized loads.

#### PowerWash® Agitator

The PowerWash® agitator tackles any load size with both efficient, concentrated cleaning to fight stubborn stains and robust wash action to help break up messes.

#### Powerful Cleaning

The PowerWash® cycle boosts cleaning action with heated water to drive the Most Powerful Cleaning in its class.\*



\*Based on cleaning score of 14-lb load, among leading top load brands, 3.9 cu. ft. and below capacity agitator washers, PowerWash® cycle vs. comparable cycles. \*\*Visit maytag.com for warranty details. NOTE: Dimensions are for planning purposes only. For complete details, see Installation Instructions packed with product. Specifications subject to change without notice. ©/™ © 2020. All rights reserved. Printed in the U.S.A. D201046MLD. MVWC465HSpecSheetV01.