



7.0 cu. ft. Electric Dryer

MEDC465H



White
MEDC465HW

Capacity

Total	7.0 cu. ft.
-------	-------------

General Features & Properties

IntelliDry® Sensor

10-Year Limited Parts Warranty* on the Drive Motor and Dryer Drum

Maytag® Commercial Technology

American Pride

Electrical Details

Hz	60
Amps	30
Volts	240

Technical Details

Drum Material	Powder Coat
Fuel Type	Electric
Door Style	Side Swing
Reversible Door	Yes
Number of Dryer Cycles	12
Selection of Drying Cycles	Delicates
	Energy Preferred
	Heavy Duty
	Jeans
	Less Dry
	More Dry
	Timed Dry 20
Timed Dry 30	
Timed Dry 40	
Timed Dry 50	
Timed Dry 60	
Timed Dry 70	
Dryer Option Selections	Wrinkle Control

Dimensions

Product Dimensions (H x W x D)	42-5/16" x 36" x 28-3/8"
Depth with Door Open 90°	50-11/16"
Maximum Vent Length	64'
Venting Direction	Rear Only
Ventless	No

Reference Material

- [Dimension Guide](#)
- [Install Guide](#)
- [Use & Care Guide](#)
- [Energy Guide](#)
- [Warranty](#)

Key Features & Benefits

Large 7.0 cu. ft. Capacity

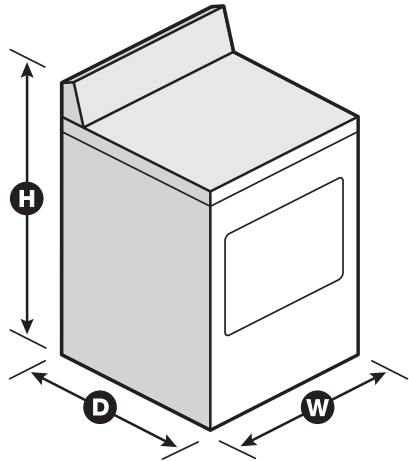
7.0 cu. ft. capacity dryers have plenty of space to dry large loads.

Wrinkle Control Option

The Wrinkle Control option uses 40 minutes of extra tumbling after the cycle has ended to keep clothes ready to wear. It's a no-heat way to help prevent wrinkles from setting in.

Heavy-Duty Motor

The heavy-duty motor has the strength to handle large loads. A larger pulley spins the drum to handle larger loads effectively, which works together with optimized airflow for exceptional drying.



*Visit maytag.com for warranty details. NOTE: Dimensions are for planning purposes only. For complete details, see Installation Instructions packed with product. Specifications subject to change without notice.
®/™ © 2020. All rights reserved. Printed in the U.S.A. D200104XXD. MEDC465HSpecSheetV01.