

WSFCP Flare X Flare Bronze Coupling

Specification Sheet

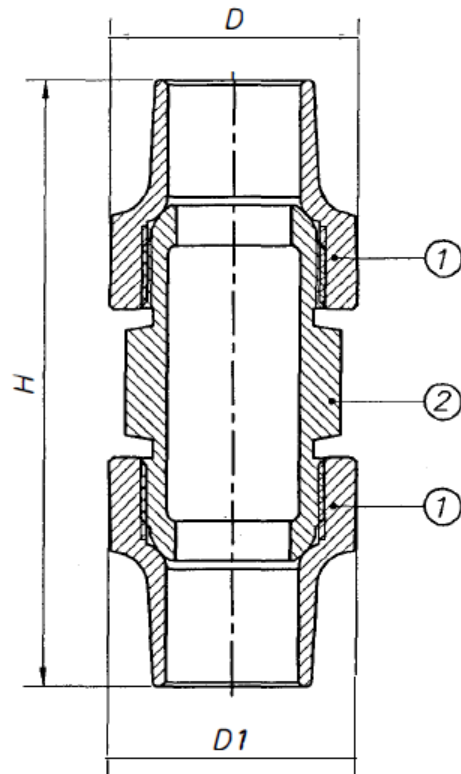
FEATURES & BENEFITS

- Lead Free Bronze
- Flare x Flare Coupling
- NSF/ANSI by IAPMO
- Sizes 1" - 2"



DIMENSIONS

Part #	Size	D	D1	H
WSFCP05LF	1"	2.17	2.17	5.46
WSFCP06LF	1-1/4"	2.61	2.61	5.99
WSFCP07LF	1-1/2"	3.25	3.25	7.45
WSFCP08LF	2"	3.88	3.88	8.98



MATERIAL SPECIFICATIONS

No.	Part	Material
1	Flare Nut	Bronze C84400
2	Nipple	Bronze C84400

