

# Single Handle Tub & Shower Faucet

# Product Spec Sheet



## FEATURES & BENEFITS

- Acrylic Round Handle
- Stainless Steel Ball Valve
- Non Pressure Balanced
- Diverter Spout
- Max Flow Rate 1.75 gpm (6.6 L/min) at 80 psi
- Min Flow Rate 1.3 gpm (4.92 L/min) at 45 psi (ASME A112.18.1M/A112.18.1)

VE-772C  
Chrome Finish

### APPROVALS:

Meets or Exceeds The Following:

\* ANSI/ASME A112.18.1M/A112.18.1



\* WaterSense Only On Models Containing Showerheads

**CALIFORNIA:**  
**TEXAS:**  
**NEW YORK:**  
**ILLINOIS:**

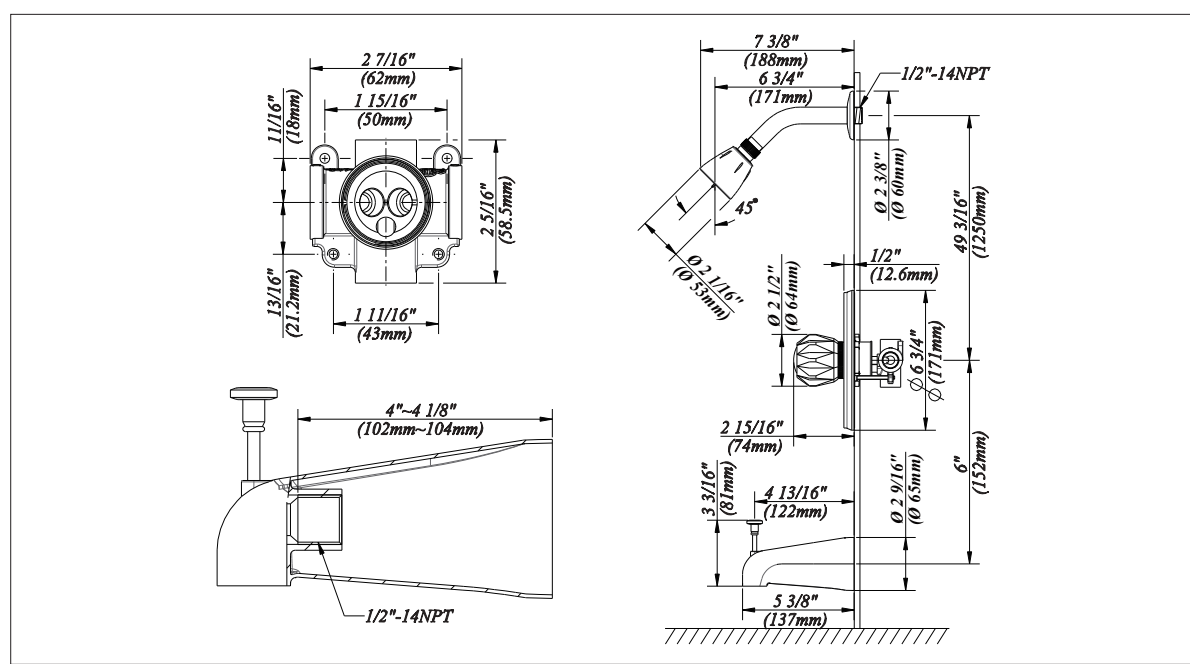
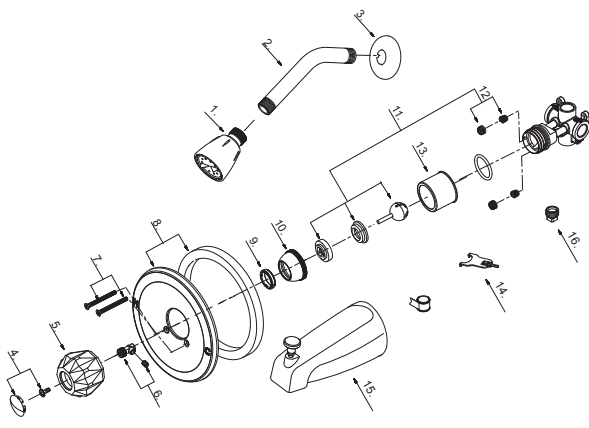
**TEL: 866-532-8306**  
**TEL: 800-935-5456**  
**TEL: 800-431-2082**  
**TEL: 844-412-5068**

**FAX: 866-532-8307**  
**FAX: 800-683-4247**  
**FAX: 800-640-2252**  
**FAX: 800-640-2252**

Visit Our Web Site : [www.matco-norca.com](http://www.matco-norca.com)

# Single Handle Tub & Shower Faucet

No.	Name	Part No.
1	Shower Head	S1213202
2	Shower Arm	A020002
3	Shower Arm Flange	A019001
4	Index Button-Cold/Hot	A66D566
5	Acrylic Handle	A029000
6	Handle Adaptor	A663024
7	Screw Set (3/16" -24 * 2-15/16" L)	A668209
8	Escutcheon Assembly	A663637-S
9	Locking Nut	A104001
10	Trim Cap	A103000
11	Ball Valve Assembly	A66D641N
12	Seat & Spring Set	A663002
13	Sleeve	A217000
14	Wrench	A031001NI
15	Spout W/Diverter	A100012
16	Plug	A028004



**Product Spec Sheet**