

4" Single Handle Lavatory Faucet

Product Spec Sheet



FEATURES & BENEFITS

VE-502C
Chrome Finish

- This Product Contains Less Than 0.25% Weighted Average Lead Content On Wetted Surfaces
- Acrylic Round Handle
- Stainless Steel Ball Valve
- Brass Pop-up
- Max Flow Rate 1.2 GPM (4.5 L/MIN) At 60 PSI (ASME A112.18.1M/A112.18.1)

APPROVALS:

Meets or Exceeds The Following:

- * ANSI/ASME A112.18.1M/A112.18.1
- * NSF/ANSI 61 - Sec. 9
- * NSF/ANSI 372
- * IAPMO/cUPC
- * CA AB1953



NSF/ANSI 372
NSF/ANSI 61-9



CALIFORNIA:
TEXAS:
NEW YORK:

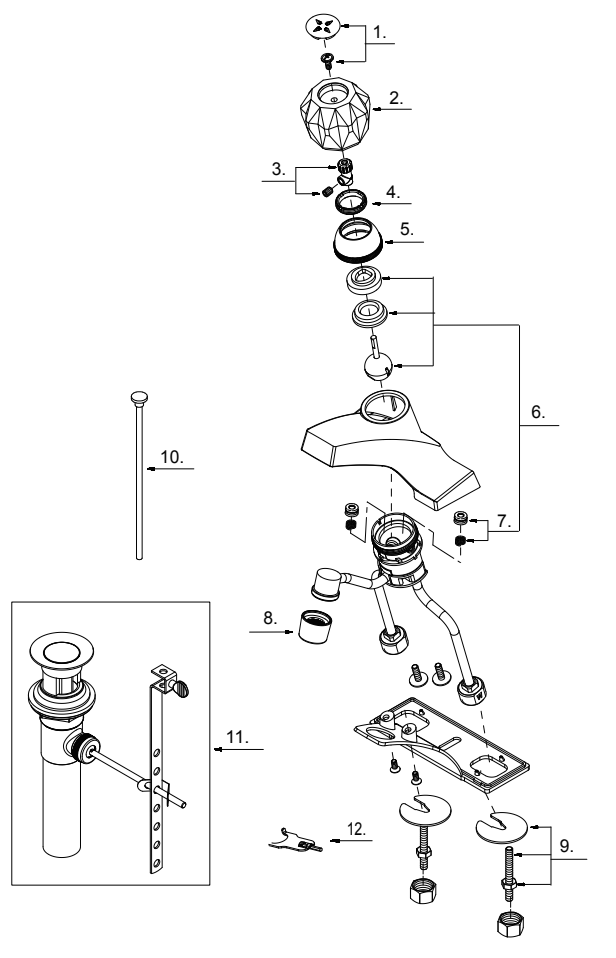
TEL: 866-532-8306
TEL: 800-935-5456
TEL: 800-431-2082

FAX: 866-532-8307
FAX: 800-683-4247
FAX: 800-640-2252

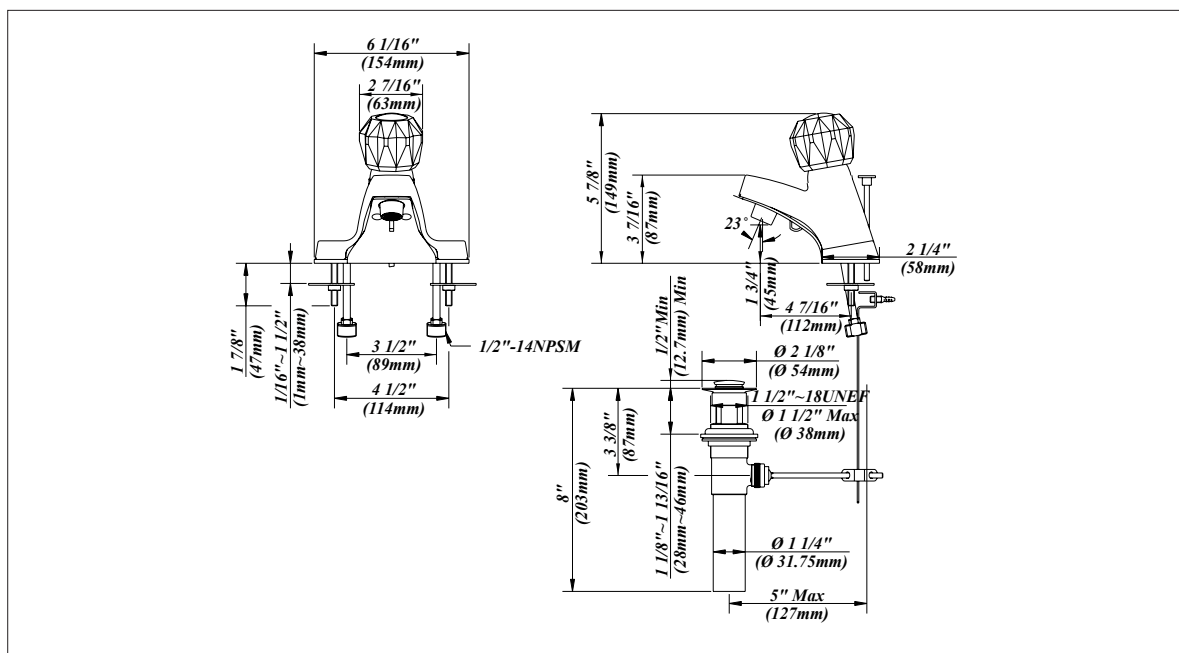
Visit Our Web Site : www.matco-norca.com

4" Single Handle Lavatory Faucet

| No. | Name | Part No. |
|-----|-----------------------|-------------|
| 1 | Index Button-Cold/Hot | A66D566 |
| 2 | Acrylic Handle | A029000 |
| 3 | Handle Adaptor | A663024 |
| 4 | Locking Nut | A104001 |
| 5 | Trim Cap | A103022 |
| 6 | Ball Valve Assembly | A66D641N |
| 7 | Seat & Spring Set | A663002 |
| 8 | Aerator | A500267N-64 |
| 9 | Mounting Hardware | A663638 |
| 10 | Lift Rod | A025011 |
| 11 | Pop-up Assembly | A556200 |
| 12 | Wrench | A031001NI |



Product Spec Sheet



CALIFORNIA:
TEXAS:
NEW YORK:

TEL: 866-532-8306
TEL: 800-935-5456
TEL: 800-431-2082

FAX: 866-532-8307
FAX: 800-683-4247
FAX: 800-640-2252

Visit Our Web Site : www.matco-norca.com