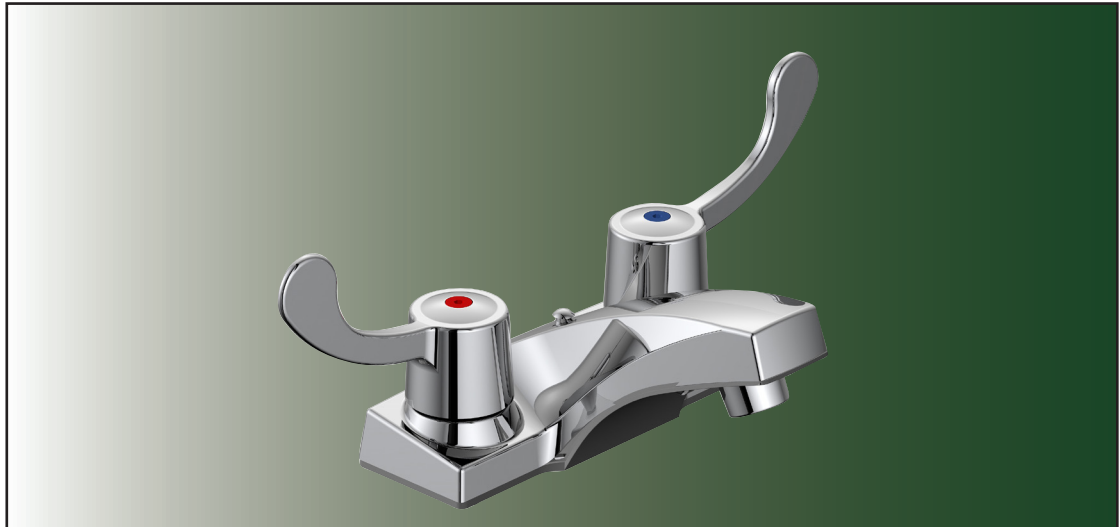


## **4" Two Handle Lavatory Faucet**

# Product Spec Sheet



### **FEATURES & BENEFITS**

- This Product Contains Less Than 0.25% Weighted Average Lead Content On Wetted Surfaces
- Wrist Blade Handles
- Washerless Cartridges
- Max Flow Rate 1.2 GPM (4.5 L/MIN) At 60 PSI (ASME A112.18.1M/A112.18.1)

VE-400CLB  
Less Pop-up  
Chrome Finish

#### **APPROVALS:**

**Meets or Exceeds The Following:**

- \* ANSI/ASME A112.18.1M/A112.18.1
- \* NSF/ANSI 61 - Sec. 9
- \* NSF/ANSI 372
- \* IAPMO/cUPC
- \* CA AB1953



NSF/ANSI 372  
NSF/ANSI 61-9



**CALIFORNIA:**  
**TEXAS:**  
**NEW YORK:**

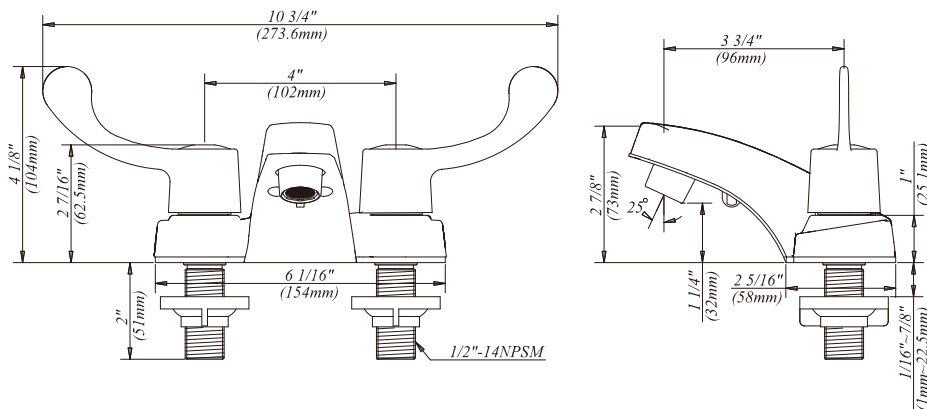
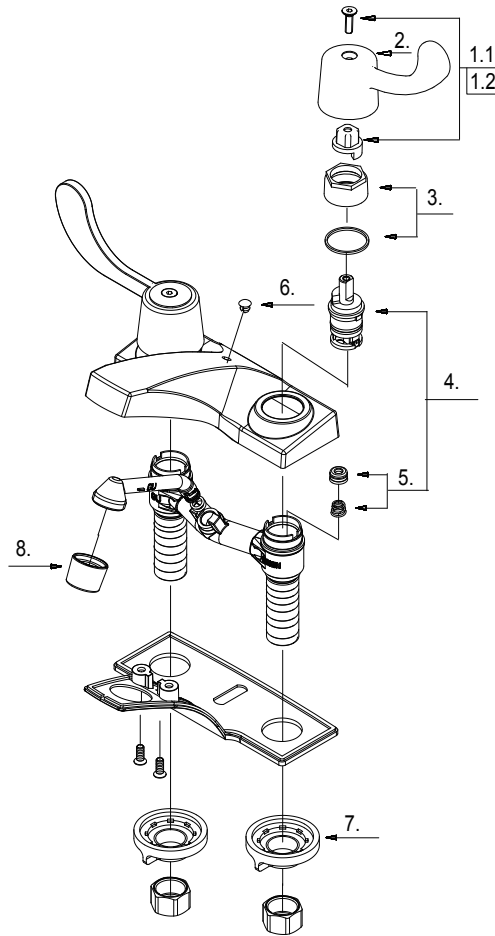
**TEL: 866-532-8306**  
**TEL: 800-935-5456**  
**TEL: 800-431-2082**

**FAX: 866-532-8307**  
**FAX: 800-683-4247**  
**FAX: 800-640-2252**

Visit Our Web Site : [www.matco-norca.com](http://www.matco-norca.com)

# 4" Two Handle Lavatory Faucet

| No. | Name                  | Part No.    |
|-----|-----------------------|-------------|
| 1.1 | Handle Adaptor-Cold   | A663306C    |
| 1.2 | Handle Adaptor-Hot    | A663306H    |
| 2   | Metal Handle          | A069796     |
| 3   | Retainer Nut Assembly | A663631     |
| 4   | Cartridge Assembly    | A66D091N    |
| 5   | Seat & Spring Set     | A663002     |
| 6   | Lift Rod Plug         | A028002     |
| 7   | Lock Nut Set          | A504023     |
| 8   | Aerator               | A500267N-64 |



**Product Spec Sheet**