

# VDWB LF Vinyl Dishwasher Connector • Spec Sheet



\*Product will have LF imprinted on the body for Lead Free

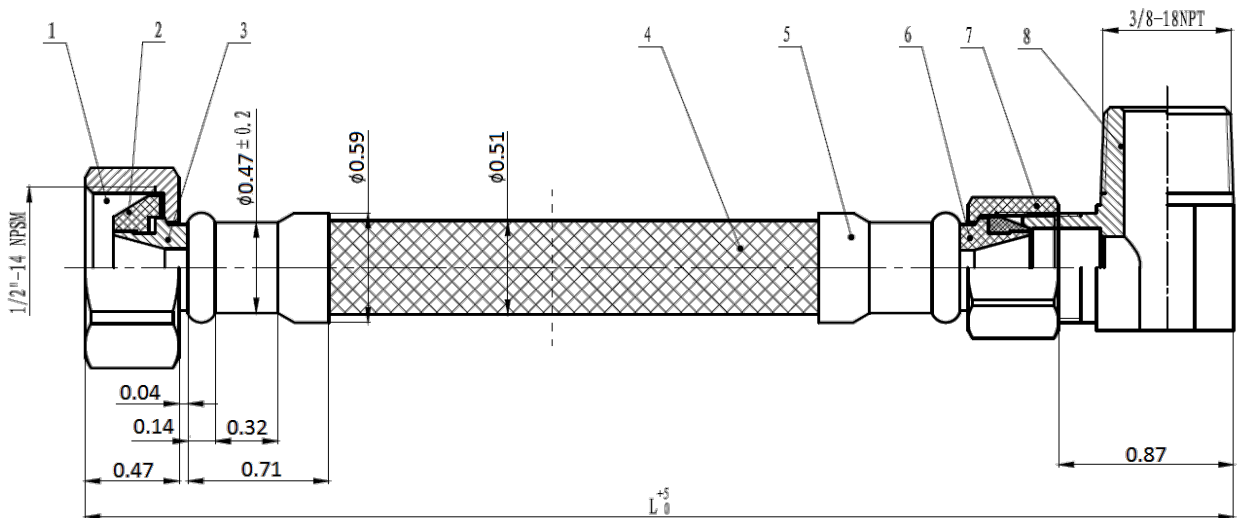
## FEATURES & BENEFITS

- Lead Free\*
- 3/8" OD x 1/2"
- With Brass Nut
- cUPC Certified
- NSF Approved

VDWB-60LF - 60" Long, With 3/8" Elbow

## MATERIAL SPECIFICATIONS

No.	Part	Material
1	Nut	Brass HPb59-3
2	Washer	EPDM
3	Core	Brass C46500
4	Hose	PVC
5	Ferrule	SS 304
6	Washer	EPDM
7	Nut	Brass HPb59-3
8	Core	Brass C46500



\*This product complies with 0.25% weighted average lead content on wetted surfaces in accordance with the Safe Drinking Water Act (SDWA) / Federal Public Law No. 111-380.



**CALIFORNIA** 5595 Fresca Dr., La Palma CA 90623  
**TEXAS** 1150 Silber Rd., Houston TX 77055  
**ILLINOIS** 278 Windy Point Dr., Glendale Heights, IL 60139  
**GEORGIA** 113 Industrial Blvd., Americus, Georgia 31709  
**NEW YORK** PO Box 27, Rt.22, Brewster NY 10509  
 WEB: [www.matco-norca.com](http://www.matco-norca.com)

• Phone: 866-532-8306 • Fax: 866-532-8307  
 • Phone: 800-935-5456 • Fax: 713-680-2999  
 • Phone: 844-412-5068 • Fax: 800-640-2252  
 • Phone: 800-433-7526 • Fax: 800-533-5134  
 • Phone: 800-431-2082 • Fax: 845-278-9056  
 EMAIL: [mail@matco-norca.com](mailto:mail@matco-norca.com)

# VDWB LF Vinyl Dishwasher Connector • Spec Sheet



\*Product will have LF imprinted on the body for Lead Free

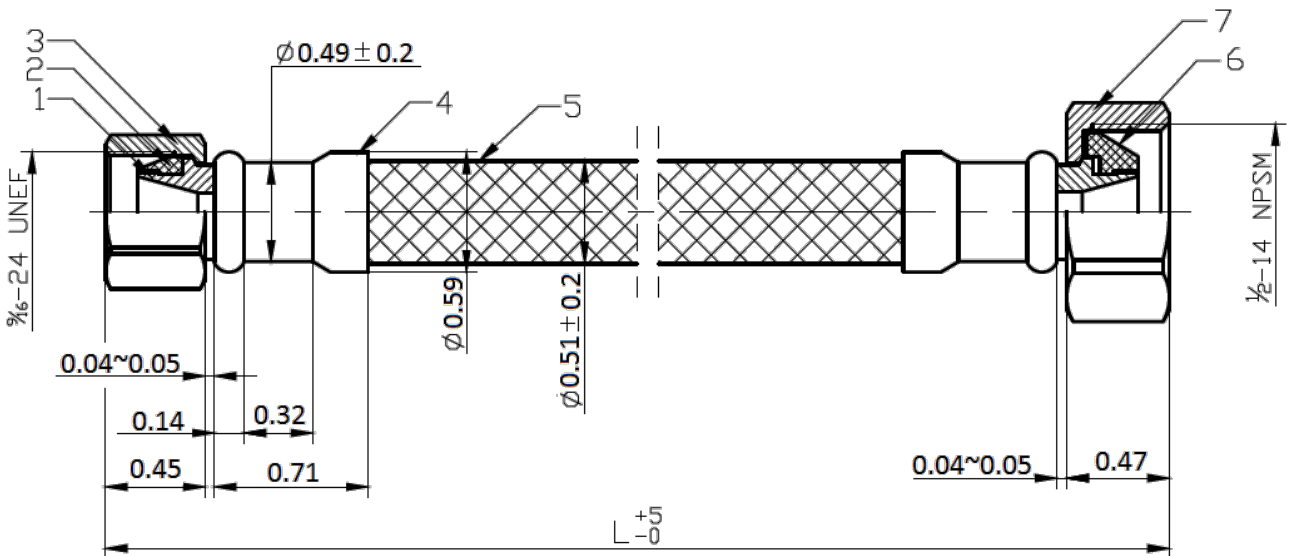
## FEATURES & BENEFITS

- Lead Free\*
- 3/8" OD x 1/2"
- With Brass Nut
- cUPC Certified
- NSF Approved

VDWB-60LELF - 60" Long, Less Elbow

## MATERIAL SPECIFICATIONS

No.	Part	Material
1	Nut	Brass HPb59-3
2	Washer	EPDM
3	Core	Brass C46500
4	Hose	PVC
5	Ferrule	SS 304
6	Washer	EPDM
7	Nut	Brass HPb59-3



\*This product complies with 0.25% weighted average lead content on wetted surfaces in accordance with the Safe Drinking Water Act (SDWA) / Federal Public Law No. 111-380.



**CALIFORNIA** 5595 Fresca Dr., La Palma CA 90623  
**TEXAS** 1150 Silber Rd., Houston TX 77055  
**ILLINOIS** 278 Windy Point Dr., Glendale Heights, IL 60139  
**GEORGIA** 113 Industrial Blvd., Americus, Georgia 31709  
**NEW YORK** PO Box 27, Rt.22, Brewster NY 10509  
 WEB: [www.matco-norca.com](http://www.matco-norca.com)

• Phone: 866-532-8306 • Fax: 866-532-8307  
 • Phone: 800-935-5456 • Fax: 713-680-2999  
 • Phone: 844-412-5068 • Fax: 800-640-2252  
 • Phone: 800-433-7526 • Fax: 800-533-5134  
 • Phone: 800-431-2082 • Fax: 845-278-9056  
 EMAIL: [mail@matco-norca.com](mailto:mail@matco-norca.com)