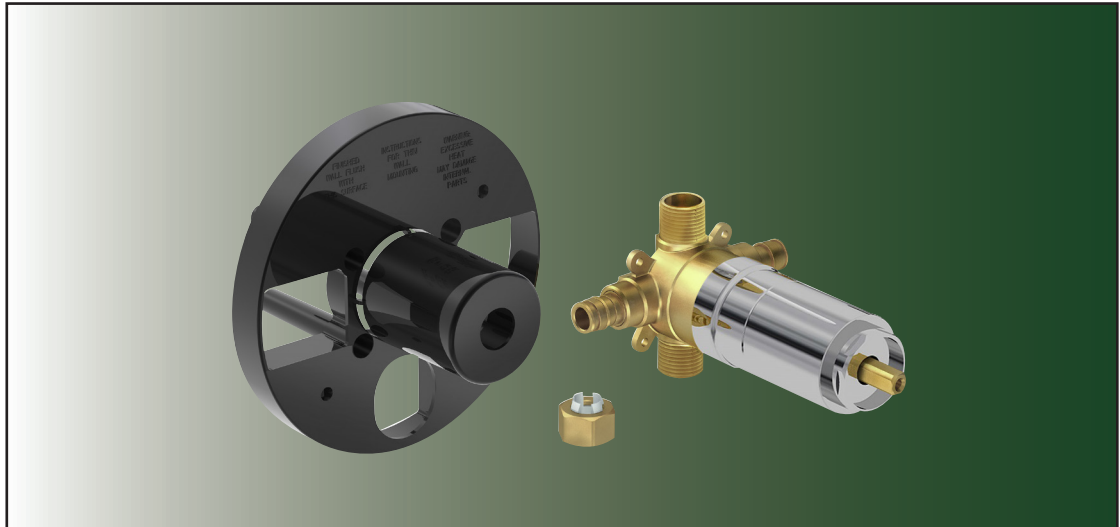


# **Universal Pressure Balancing Valve Body**

# **Product Spec Sheet**



## **FEATURES & BENEFITS**

- Washerless Cartridge
- Pex A Connections ASTM F1960 Standard
- Less Stops

SR-799A  
Chrome Finish

### **APPROVALS:**

**Meets or Exceeds The Following:**

- \* ANSI/ASME A112.18.1
- \* IAPMO/cUPC
- \* ASSE 1016-2005



**CALIFORNIA:**  
**TEXAS:**  
**NEW YORK:**

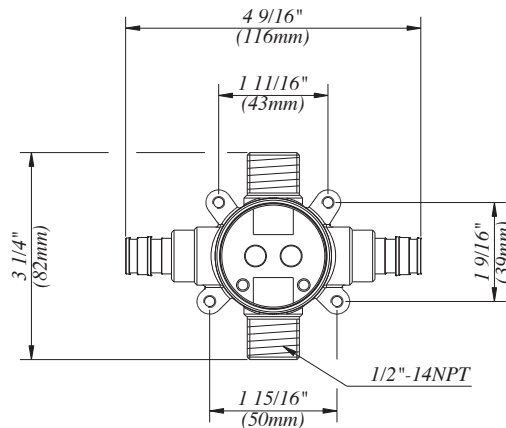
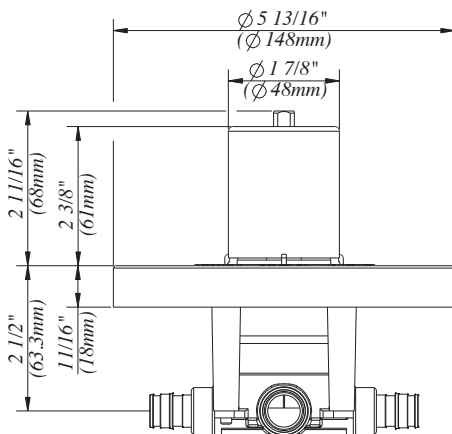
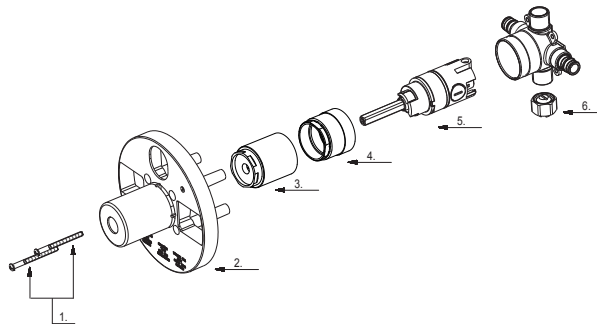
**TEL: 866-532-8306**  
**TEL: 800-935-5456**  
**TEL: 800-431-2082**

**FAX: 866-532-8307**  
**FAX: 800-683-4247**  
**FAX: 800-640-2252**

Visit Our Web Site : [www.matco-norca.com](http://www.matco-norca.com)

# Universal Pressure Balancing Valve Body

| No. | Name               | Part No. |
|-----|--------------------|----------|
| 1   | Screw Set          | A608519  |
| 2   | Plaster Guard      | A127007  |
| 3   | Sleeve             | A103322  |
| 4   | Retainer Nut       | A103310  |
| 5   | Cartridge Assembly | A507975  |
| 6   | Plug               | A028452  |



**Product Spec Sheet**